


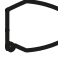



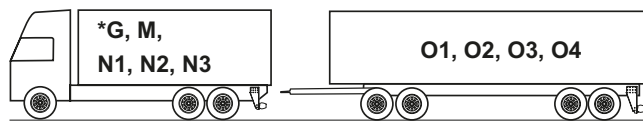


VBG INSTALLATION REPORT RUPD

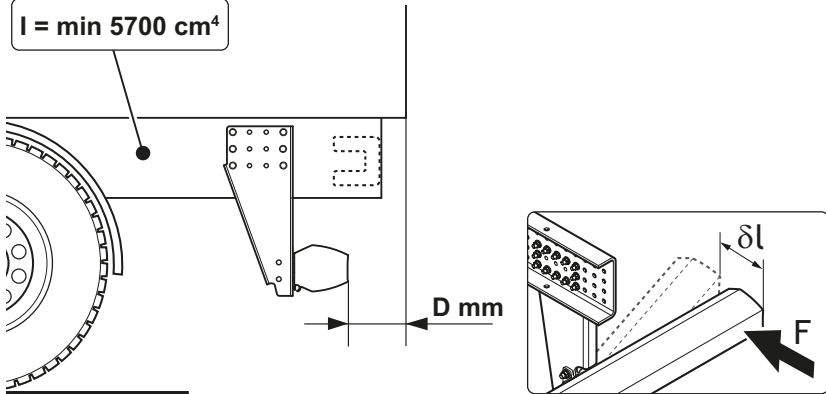
R58-03

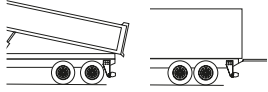
2019-07-02

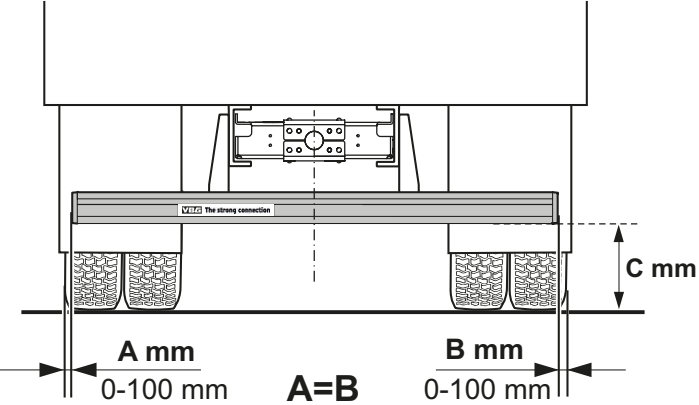
-  UBUS
E1 58R-03 0590
-  SBUS
E1 58R-03 0584
-  SBSA-100
E1 58R-03 0591
-  SBSA
E1 58R-03 0585
-  SBSS
E1 58R-03 0586

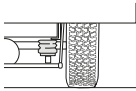
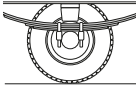


$I = \min 5700 \text{ cm}^4$



D = Max	
300	 *G, N2 (>8T), N3 O3, O4
200	O3, O4
400 - δ	M, N1, N2 (<8T) O1, O2



C	
450	 *G, N2 (>8T), N3 O3, O4
500	 *G, N2 (>8T), N3 O3, O4
550	M, N1, N2 (<8T) O1, O2

*Category "G" has separate positioning rules.