

LIGHTING SOLUTIONS







Feel the power of light



LIGHTING & CABLES

24V OEM PRODUCT CATALOGUE



<p>Ermac Lighting Systems - Introduction</p>	<p>6</p>
<p>Overview and introduction to plug connections</p>	<p>8</p>
<p>Overview plug type, designation & dimension</p>	<p>10</p>
<p>Contact allocation</p>	<p>13</p>
<p>Material- and symbols explanation</p>	<p>16</p>
	<p>Tail lights</p> <p>17</p>
	<p>License plate lights</p> <p>67</p>
	<p>Outer end marker lights</p> <p>73</p>
	<p>Marker lights - position & side markers</p> <p>81</p>
	<p>LED strips as marker lights</p> <p>87</p>
	<p>Rear underrun protection bar</p> <p>91</p>

	<p>Reflex reflectors</p>	<p>107</p>
	<p>Interior lighting / LED strips</p>	<p>111</p>
	<p>Reverse- and working lights</p>	<p>115</p>
	<p>Warning strobe lights</p>	<p>133</p>
	<p>Warning lights - Beacons</p>	<p>137</p>
	<p>Cables</p>	<p>149</p>
	<p>Cables for chassis</p>	<p>199</p>
	<p>SIMAC</p>	<p>211</p>

	<p>Electronic control units</p>	<p>215</p>
	<p>RLC - Control unit for reversing lights</p>	<p>221</p>
	<p>Junction boxes</p>	<p>223</p>
	<p>Wide load marker signs</p>	<p>241</p>
	<p>PLS - PARK LIGHT SYSTEM</p>	<p>255</p>
	<p>Plugs and sockets</p>	<p>259</p>

ERMAX® - YOUR PARTNER FOR COMPLETE LIGHTING SYSTEMS

ERMAX A/S

- develops, manufactures and distributes a wide range of products within lighting, junction boxes and cable systems for commercial vehicles and industrial applications.

A unique set-up with a combination of our factory in Denmark and licensed production with our own tools at a number of selected and exclusively certified partners worldwide, offers an extensive, highly competitive and qualitative range of products.

The Brand - ERMAX®

Founded in 1948 the Ermax® lighting technology has been manufactured for the automotive industry for almost 7 decades.

Ermax is the partner, when it comes to understanding and fulfilling the needs of lighting; with tail lights, warning lights, beacons, side markers or work lights – nowadays bulb, LED as well as in hybrid technologies. These lighting components are being offered within a complete solution concept of ADR approved

cables and, where required, junction boxes as well as mounting hardware. All cable sets are configured with multiple connector types to ensure the best lifetime service ability.

Why Ermax® Lighting Systems ?

Partnership through quality, reliability and competence.

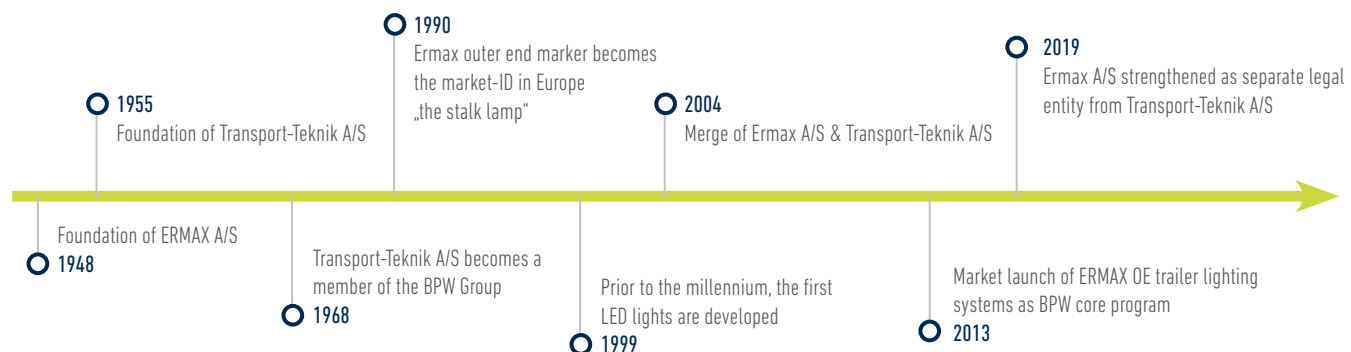
Our competence in partnering with you, is our extensive experience in being an OEM partner with quality and on time delivery as daily focus to ensure expectations and execution match entirely with your requirements.

All our products hold the necessary certifications for E-marking, IP-protection, ADR-approval and design predecions to ensure exclusive design and durability as well as non-violation of patents.

With reliable and planned processes you will reach your goal safely with us as partner.



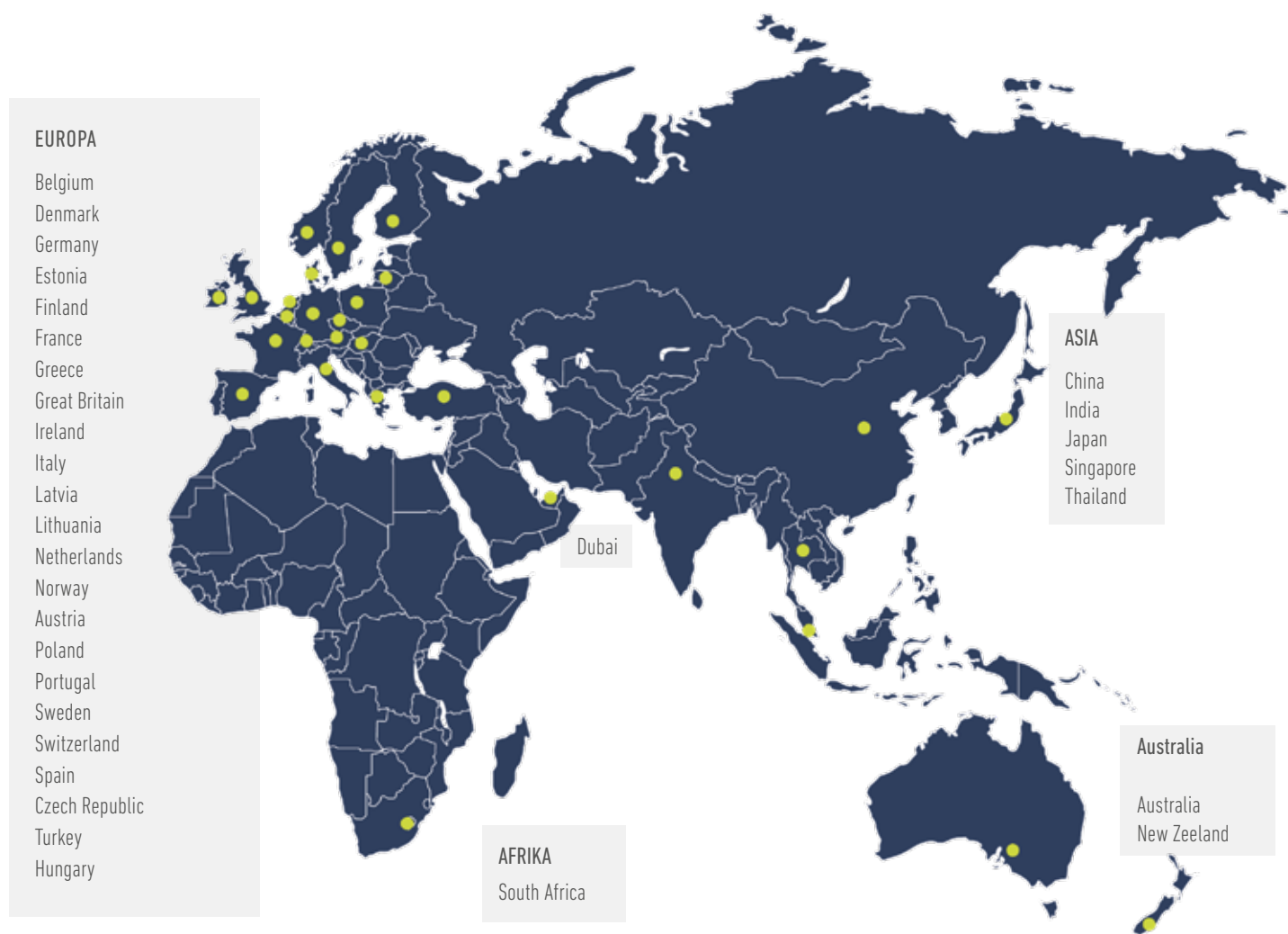
ERMAX A/S, Kolding, Denmark



DISTRIBUTION NETWORK WORLDWIDE

Always close to you

As a member of the BPW Group, which operates worldwide, we have an unique sales and distribution network with local offices and support for the benefit of all of our business partners.



SOLUTIONS - AS INDIVIDUAL AS YOUR TASKS AND REQUIREMENTS

As ERMAS customer you will achieve the following

- High quality for every area
- Vehicle-customised solutions
- Focus at the newest technology and innovative products with recognisable design
- Production companies with development
- competence under one roof
- Europe-wide after-sales-servicenent

ERMAS lighting systems

- Wide palette including cables, plugs and lights – all built according to customer requirements
- LED and SIMAC control unit built-in tail light
- ADR approved cable kits with 7 pole AMP 1.5 and Super Seal plugs
- Unbeatable, impact resistant and long life solutions

ERMAX CABLE SYSTEMS FOR 24V

Overview and introduction to plug connections

Ermax connections consist of 2 poled, 7 poled and 15 poled connections and plug connections – connections of high quality making it easy and simple to mount and maintain. These connections are used in Ermax cable- and lighting systems for trailer 24V and can be combined according to individual requirements from our customers.

All connections are re-moulded and tested according to IP Rating 69K and ADR approved.

2 poled Super Seal



2 poled Super Seal plug and socket
 Make mounting of position lights, side marking lights, marking lights and other 2 poled components easy and simple.
 100% waterproof

- Easy and simple mounting
- Easy change when damage on the lamp

2 poled Click-in



2 poled click-in
 Makes mounting of position lights, side marking lights, marking lights and other 2 poled components easy and simple.

- Easy and simple mounting
- Fast positioning
- Time-consuming parts replacement

7 poled AMP 1.5



7 poled 1.5
 Used for connecting Ermax rear lights to the cable system. The plug can be used when connecting other extra equipment as e.g. working lights

- Rounded off pin-legs
- Extremely durable connection
- Standard plug connection - usual in the market

15 poled Ermax Bayonet



15 poled bayonet /ADR

Used for connecting front box, main cable and rear cable and e.g. mounting of connection box.

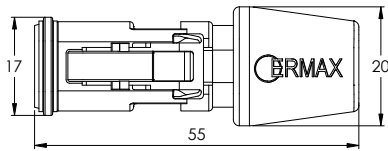
- Rounded off pin-legs
- Extremely durable connection
- Standard plug connection - usual in the market

	Output from the main cable	Side marker	Position light	License plate light	Outline marker	Work light	Reverse light	Interior lighting	Tail light	Reverse light	Junctionbox	Central connection	Rear cable	Interior lighting
2 poled Super Seal	✓	✓	✓	✓	✓	✓	✓	✓			✓			
2 poled Click-in		✓	✓	✓	✓	✓	✓							✓
7 poled AMP 1.5	✓								✓	✓	✓			
15 poled Ermax Bayonet											✓	✓	✓	

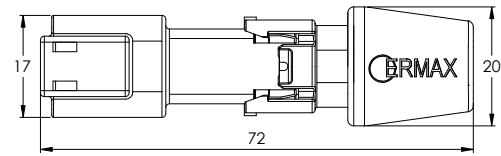
OVERVIEW - PLUG CONNECTIONS FOR ERMAX OE LIGHTING SYSTEMS

Plug type, designation and dimension

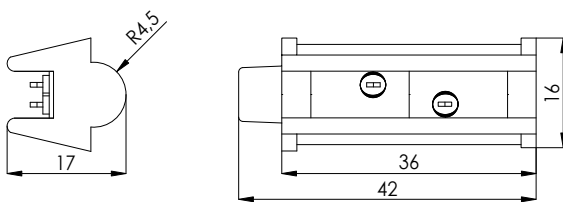
2 poled Deutsch connector



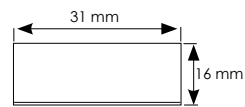
2 poled Deutsch socket



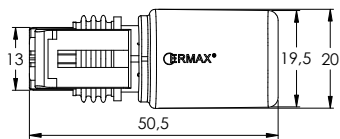
2 poled Click-in connector



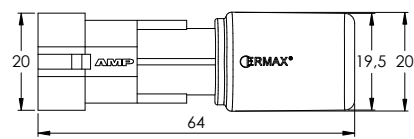
Click-in cap



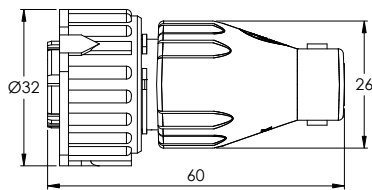
2 poled Super Seal plug



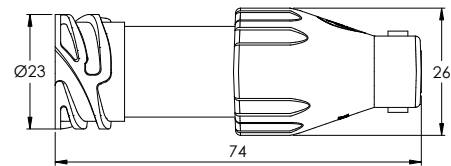
2 poled Super Seal socket



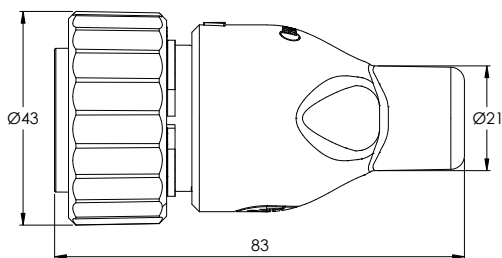
7 poled AMP 1.5 plug



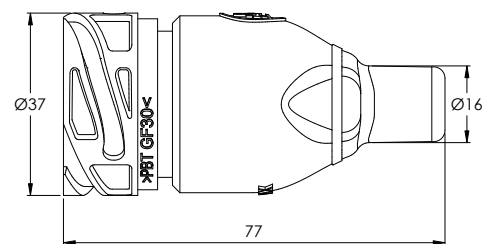
7 poled AMP 1.5 socket



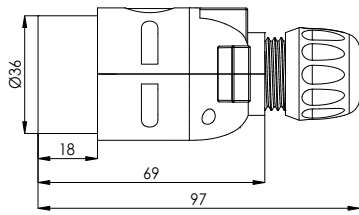
15 poled Bayonet plug



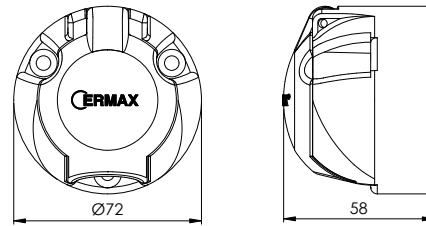
15 poled Bayonet socket



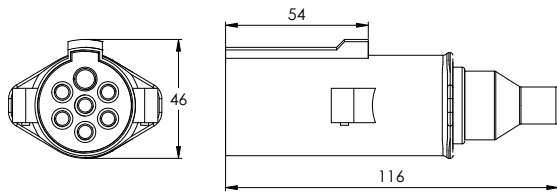
7 poled plug - ISO 1724



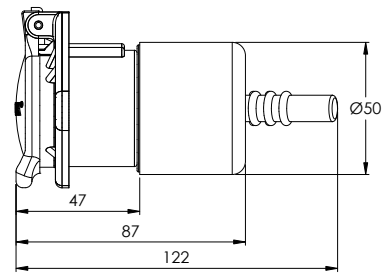
7 poled socket - ISO 1724



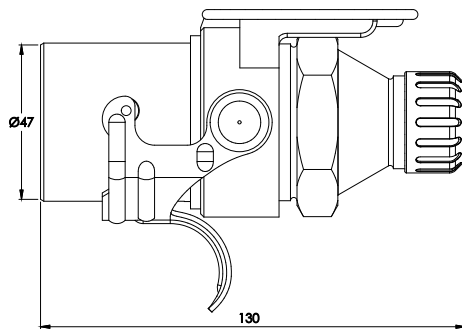
7 poled plug - ISO 3731 / ISO 1185



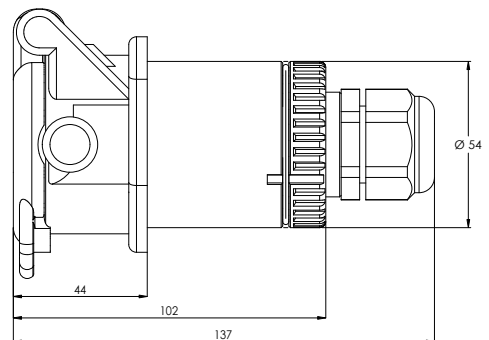
7 poled socket - ISO 3731 / ISO 1185



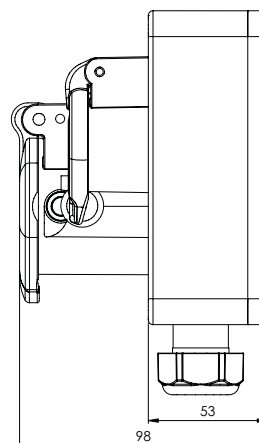
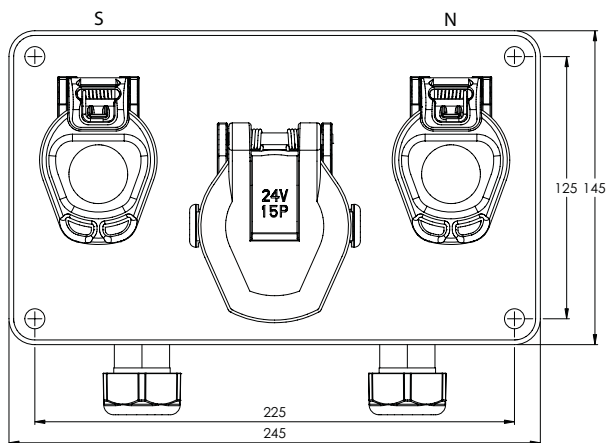
15 poled ADR plug - ISO 12098



15 poled ADR socket - ISO 12098

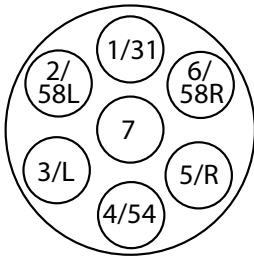


Frontbox



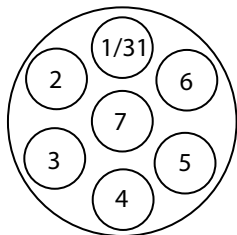
Contact allocation

Pin configuration Type N 24V, 7 poled ISO 1185

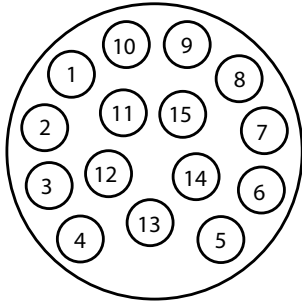
	Colour	Description	
	1 / 31	White	Ground
	2 / 58L	Black	Position light left ¹⁾
	3 / L	Yellow	Direction indicator left
	4 / 54	Red	Stop light
	5 / R	Green	Direction indicator right
	6 / 58R	Brown	Position light right ¹⁾
	7	Blue	Aux2 / Stop control for trailer

¹⁾ The license plate must be connected so that no lights of this illumination have common connection with contact 2 and 6

Pin configuration Type S 24V, 7 poled ISO 3731


	Colour	Description	
	1 / 31	White	Ground for Pin 9-15 (ISO 12098)
	2	Black	No allocation (CANH, Data communication)
	3	Yellow	Reverse light
	4	Red	Permanent power supply (+)
	5	Green	No allocation (CANL, Data communication)
	6	Brown	Aux3 / lift axle
	7	Blue	Rear fog light

Pin configuration 24V, 15 poled ISO 12098

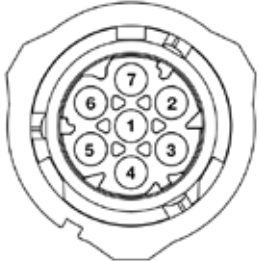
	Colour	Description	
	1	Yellow	Direction indicator left
	2	Green	Direction indicator right
	3	Blue	Rear fog light
	4	White	Ground
	5	Black	Position light left ¹⁾
	6	Brown	Position light right ¹⁾
	7	Red	Stop light
	8	Pink	Reverse light
	9	Amber	Permanent power supply (+)
	10	Grey	Aux1 / Brake-wear sensor
	11	White/Black	Aux2 / Stop control for trailers
	12	White/Blue	Aux3 / lift axle
	13	White/Red	Ground for Pin 9-15 (ISO 12098)
	14	White/Green	CANH / Data communication
	15	White/Brown	CANL / Data communication

¹⁾ The license plate illumination must be connected so that no lights of this illumination have a common connection with contract nr. 5 and nr. 7


Pin configuration Ermax 15 poled bayonet plug

	Colour	Description
	1	Black Position light left
	2	Yellow Direction indicator left
	3	Red Stop light
	4	White/Green CANH / Data communication
	5	White Ground
	6	Pink Reverse light
	7	White/ Black Aux2 / Stop control for trailers
	8	White/Red Ground for Pin 9-15 (ISO 12098)
	9	amber Permanent power supply (+)
	10	Blue Rear fog light
	11	Grey Aux1 / Brake-wear sensor
	12	White/Brown CANL / Data communication
	13	Brown Position light right
	14	White/Blue Aux3 / lift axle
	15	Green Direction indicator right

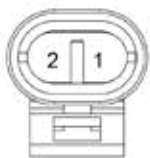
Pin configuration 7 poled AMP plug

	Colour	Description
	1	White Ground
	2	Green Position light
	3	Brown Reverse light
	4	Yellow Indicator
	5	Red Stop light
	6	Blue Rear fog light
	7	- -

Pin configuration Deutsch (DT2) plug 2 poled






	Colour	Description
	1	Blue Permanent power supply (+)
	2	Brown Ground (-)

Pin configuration Super Seal plug 2 poled

	Colour	Description
	1	Brown Ground (-)
	2	Blue Permanent power supply (+)

Material- and symbol explanation Ermax lighting

Material explanation	
PMMA	Acrylic plastic (polymethylmethacrylate) The maximum working temperature is 70-110 °C. Melting point 160°
PP	Polypropylene. The maximum working temperature is 80-90°C. Melting point 165°
PC	Impact resistant polycarbonat. The maximum working temperature is 135°C Melting point 300°C
ABS	Termoplast - Black plastic The maximum working temperature is 80-105°C

Symbol explanation	
	ECE Approved
	ECE Approved R65
	Electromagnetic test according to R10
	CE Approved
	ADR/GGVS - Approved for use on vehicles carrying dangerous goods
	Meets guidelines for the use of retro reflective safety markings on heavy vehicles
XA1 / XA2	X - Direction flashing unit A - Amber 1 - Class 1 2 - Class 2

Tail lights



TM11 LED Tail lights 12/24V

Tail light for Standard vehicles

Modern light- and LED-Technology

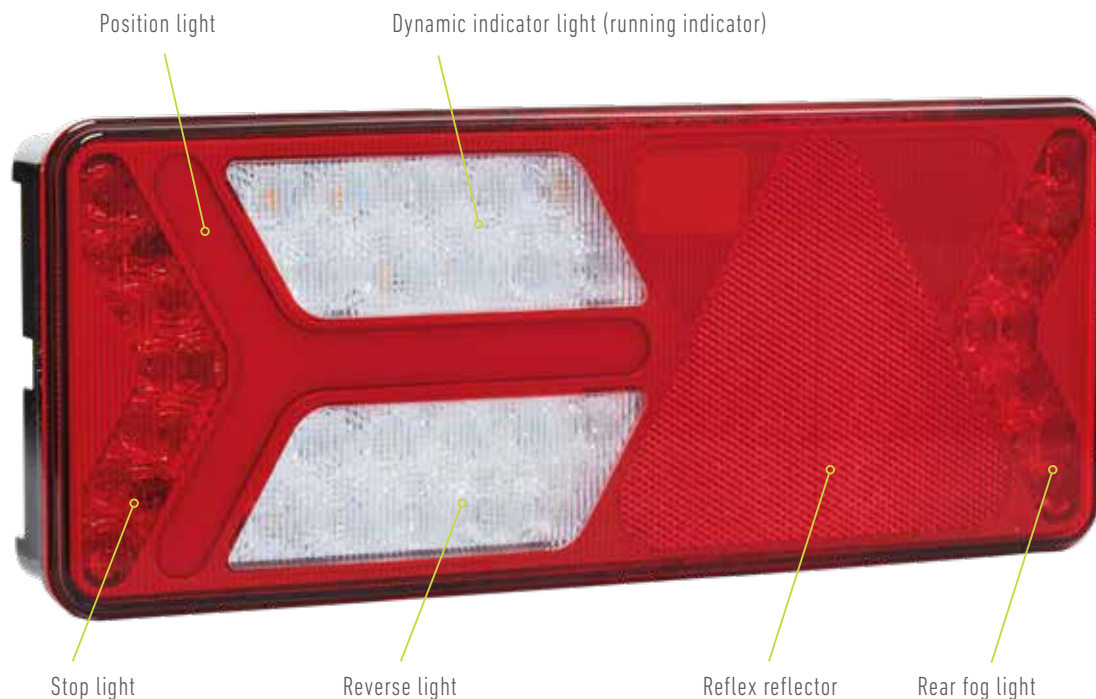
The compact and modern 7-function tail light from ERMAX

As highlights the LED tail light from Ermax offers a thin design, modern dynamic indicator light, impact-resistant lens and integration of all legal control units.

The intelligent and up to date control unit of the Ermax TM11 makes the universal connection of the tail light to any truck wanted possible – without failure warnings. This is also valid for the indicator failure control – and the brake light control.

The indicator light function in the side markers, lights simultaneously with the tail light according to ECE 48. This function is fully integrated in the TM11 tail light.

Superior durability, modern functionality and a modern design, come together in the Ermax TM11 tail light and making it a real highlight.

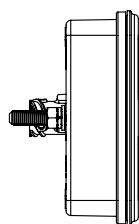
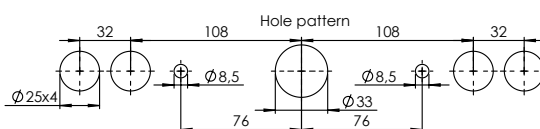
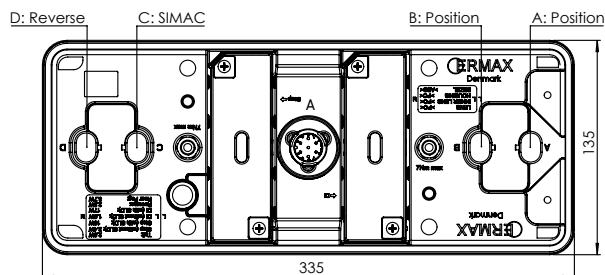
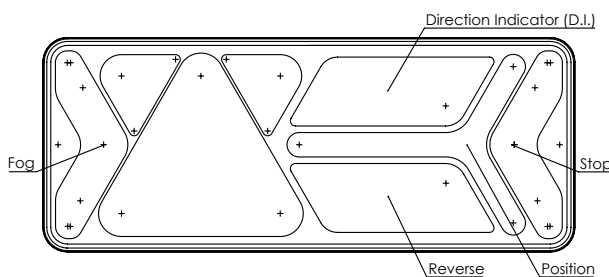
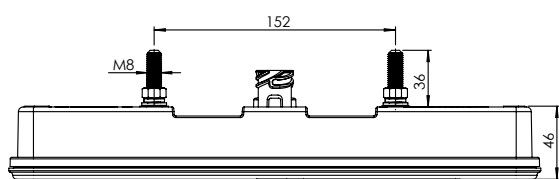


Highlights

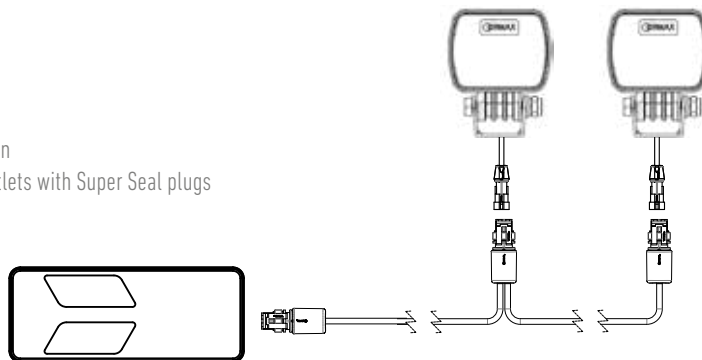
- Unbreakable - Impact resistant lens of polycarbonat
- Multi voltage 12/24V
- Modern dynamic indicator light (running indicator)
- Built-in indicator failure control according to ECE 48 - compatibel with all brands and year of EU Trucks*
- Built-in stop light failure control according to ECE 48 - compatibel with all brands and year of EU Trucks*
- Built-in control of flashing side marker lights (SIMAC®) according to ECE 48 supp. 06 (Since nov. 2017)
- Certified in accordance with all relevant standards and regulations in Europe

* Stand 2018

TM11 LED Tail lights 12/24V - for trailer



Reverse light connected as a chain
- side cable with 1 inlet and 2 outlets with Super Seal plugs



2 pieces of Ermax reverse lights or work lights are allowed to be connected to an Ermax tail light (Max 52W)

Description

Lens:	Impact resistant polycarbonate
Direction indicator:	Progressive direction indicator light (running indicator)
Housing:	Impact resistant polycarbonate
Dimension:	335 x 135 X 46 mm
Bolt:	M8 / AiSi 304
Bolt distance:	152 mm / M8
IP Rating:	IP69K
Working temperature:	-40°C - +65°C

Consumption per lighting function

Position light:	2,8W
Direction indicator light:	1,8W (17W with LED control)
Stop light:	2,4W (17W with LED control)
Reverse light:	2,3W
Rear fog light:	3,7W

*) Super Seal Functions for 3 x position light incl. SIMAC, 1 x Stop (L) & Reverse (R)



TM11 LED Tail lights 12/24V - for trailer

Type	Right → Left ←	Position Stop Dir. indicator Reverse Rear fog Reflex reflector	Cable length	Connection 7 poled AMP socket Direction:	2x2 Super Seal Placed at the back*	SIMAC control integrated	LED control integrated	Article No.
LED	→	✓		Rear	✓	✓	--	098 216 550
LED	←	✓		Rear	✓	✓	--	098 216 551
LED	→	✓		Rear	✓	✓	Dir. indicator light	098 216 552
LED	←	✓		Rear	✓	✓	Dir. indicator light	098 216 553
LED	←	✓		Rear	✓	✓	Dir. indicator- & Stop light	098 216 555
LED	→	✓	300 mm	On cable	✓	✓		098 216 558
LED	←	✓	300 mm	On cable	✓	✓		098 216 559

PREMIUM: 098 216 552 (R) & 098 216 555 (L) SIMAC, LED

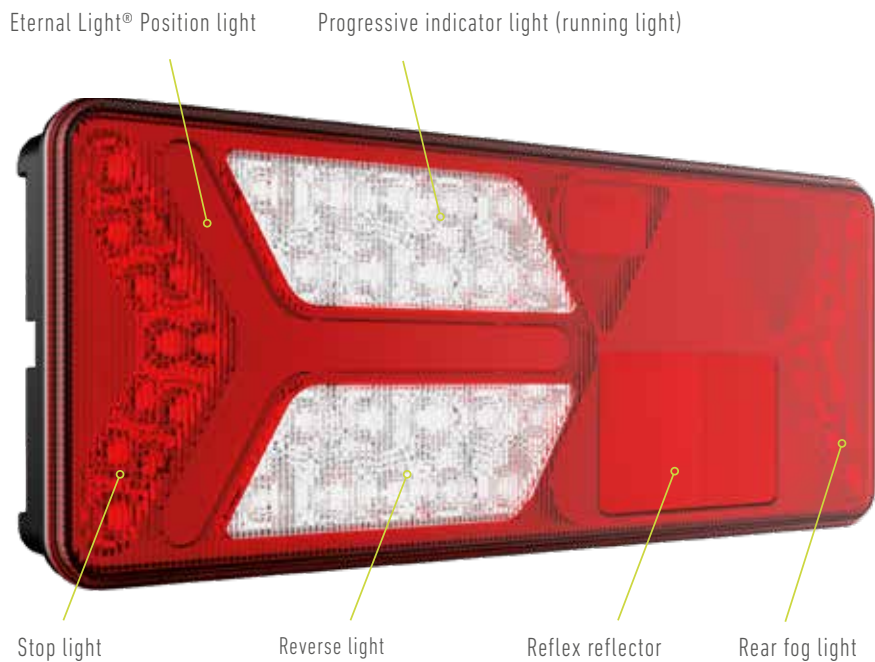
Outer end marker are optional

and can be mounted at any version afterwards

Article no. suitable for outer end marker is 098 241 448 / 098 241 449 (R/L). The outer end marker is mounted at a holder and the Super Seal plug at the outer end marker is mounted at the back of the tail light in the Super Seal socket



TM11 LED Tail light 12/24V - for Truck



Type	Right → Left ←	Position Stop Dir. indicator Reverse Rear fog Reflex reflector	Outer end marker	Connection 7 poled AMP socket Direction:	2x2 Super Seal placed at the back*	SIMAC control integrated	LED control integrated	Article no.
------	-------------------------	---	------------------	---	--	--------------------------------	------------------------------	-------------

LED	→	✓	Optional	Rear	✓	✓	Optional	098 216 570
LED	←	✓	Optional	Rear	✓	✓	Optional	098 216 571

LED failure control for monitoring of direction indicator and/or stop light is optional

Some vehicles can be reprogrammed to use LED tail light, whereas other vehicles do not offer this facility. In these cases, using ERMAX LED failure control, it is possible to achieve the correct settings, and still meet all regulations.

The truck version of ERMAX TM11 tail lights is already prepared for integrating the LED failure control of the direction indicator and stop light functions. One LED failure control unit (098298149) pr. lighting function should be mounted in each of the ERMAX TM11 tail lights. One unit for direction indicator light, if the direction indicator light is not recognized by the truck. Two units, if both lighting functions are not recognized by the truck.



+



LED control for direction indicator and stop light

LED control unit for direction indicator and stop light (098298149)
- mounted in the back of the TM11 lygten

Spare parts & Accessories TM11 Tail lights 12/24V



Pos. 1



Pos. 2



Pos. 3



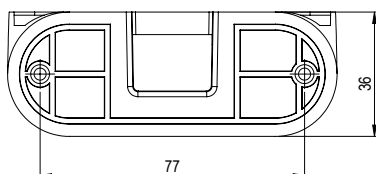
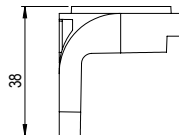
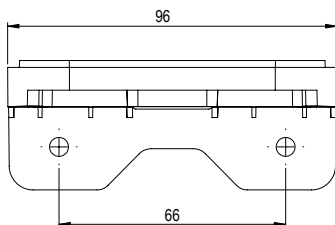
Pos. 4



Pos. 5

Holder of plastic, angled, for outer end marker Delivered with 4 pcs. stainless torx screws. Mounting hole distance: 77 mm	1	098 292 611
LED outer end marker 12/24V, Right - 300 mm connection cable with Super Seal plug	2	098 241 448
LED outer end marker 12/24V, Left - 300 mm connection cable with Super Seal plug	2	098 241 449
Protection cover for tail light	3	098 296 710
Cover of LED control - For covering of SLD connection at TM11 Tightens and protects contacts for SLD-unit	4	098 296 700
LED-Control unit 12/24V for TM11 Tail light built-in For monitoring direction indicator or stop light. One unit per function is needed For mounting at the back of the housing light. Connection with 3 x spring-loaded contacts	5	098 298 149

Pos. 1



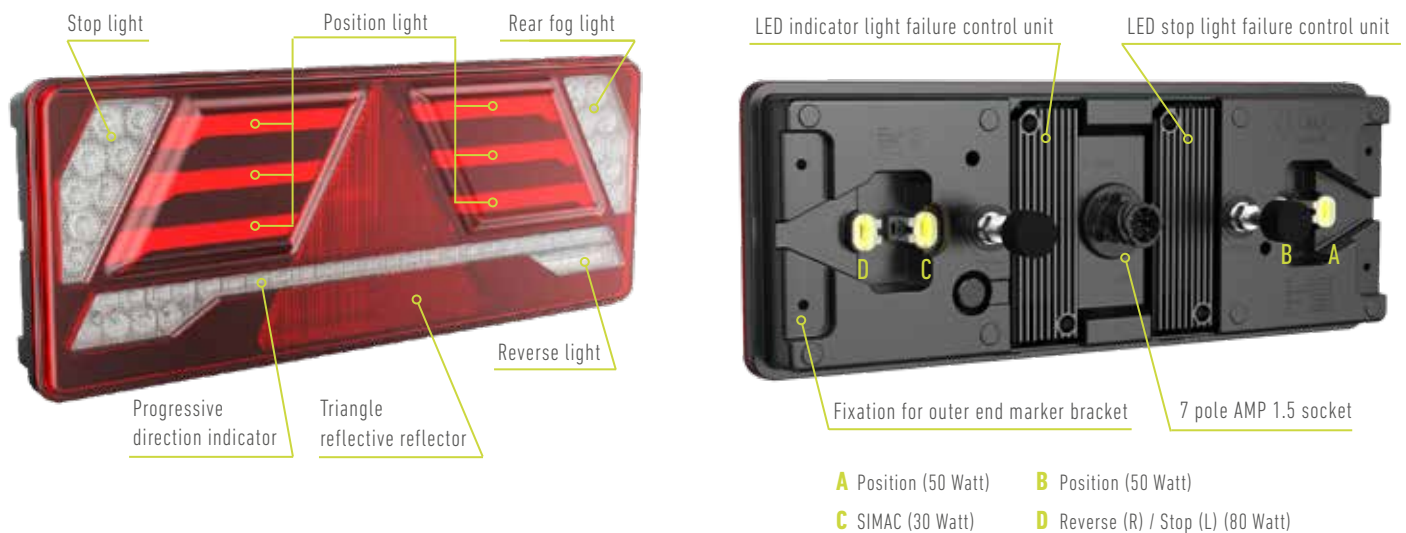
TM17 LED Tail lights 12/24V LED

Impressive depth design and remarkable durability

The versatile lighting solution for any application

The TM17 Tail Light series features a unique, smooth design with a sleek black background, creating a striking sense of depth. This black backdrop accentuates the uniform red tail light function, elegantly displayed through its three horizontal stripes.

An **Impressive Design** paired with an impact-resistant lens and housing, featuring a progressive direction indicator light and available variants with ISO 13207 LED monitoring for the direction indicator light.



Highlights

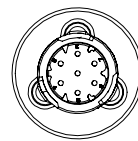
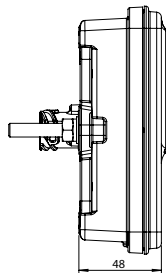
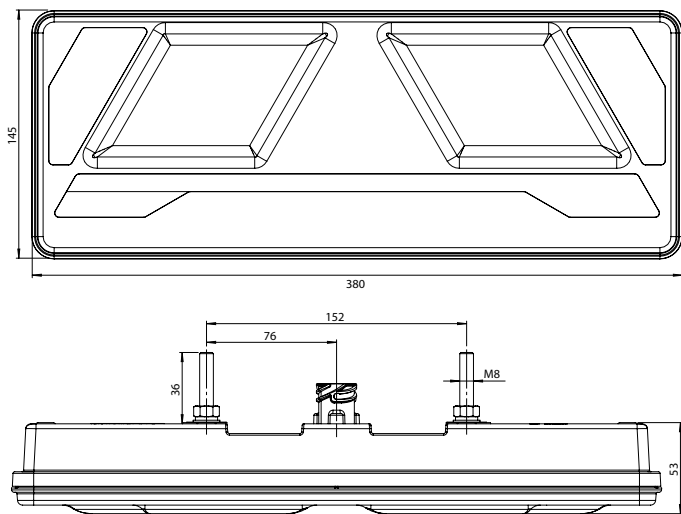
- Unique Design
- Enhanced Safety
- Modern direction indicator light
- Durability and longevity
- Outer end marker light
- Rear connections with Super seal socket
- Integrated SIMAC
- Built-in LED failure control
- Ready for ISO-monitoring
- Cross-connection for more safety

TM17 LED Tail lights 12/24V

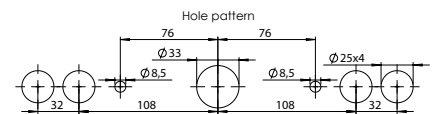
Technical details and dimensions

Customizable Lighting

Option for a custom logo as the position light - let us talk about it!



Pin	Function	Power consumption
1	Ground	-
2	Position	7.9W
3	Reverse	3.4W
4	Prog. direction indicator	6.8W
5	Stop	2.5W
6	Fog	3.5W
7	Cross connected position	-



Technical specifications:

Lens and housing: Impact-resistant polycarbonate
 Direction indicator: Progressive DI
 Voltage: 12/24V
 Dimension: 380 x 145 x 53 mm
 Bolt: M8 / AiSi 304
 Bolt distance: 152 mm
 Working temperature: -40°C - +65°C
 IP rating: IP69K

*Variants with ISO 13207

Variants that are equipped with direction indicator light failure monitoring according to ISO 13207 only work with 24V vehicles.
 For 12V vehicles, an LED control unit must be used as needed.



Voltage (DC)	Right à Left ß	Position Stop Indicator Reverse Rear fog Reflex reflector	2x2 Super Seal located on the back of the lamp	SIMAC control built-in	LED control built-in	Article No.
12/24V	→	✓	✓	✓	--	098 216 750
12/24V	←	✓	✓	✓	--	098 216 751
12/24V	→	✓	✓	✓	Dir. indicator light	098 216 752
12/24V	←	✓	✓	✓	Dir. indicator light	098 216 753
12/24V	←	✓	✓	✓	Dir. indicator & stop light	098 216 755
24V	→	✓	✓	✓	ISO13207*	098 216 760
24V	→	✓	✓	✓	ISO13207*	098 216 761

Spare parts & Accessories TM17 Tail lights 12/24V



Pos. 1



Pos. 2



Pos. 3



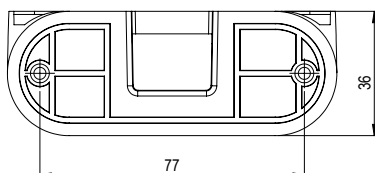
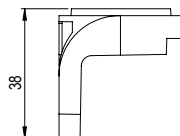
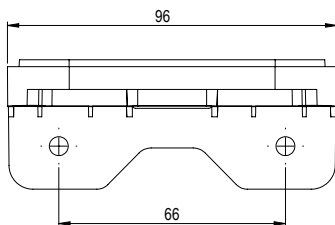
Pos. 4



Pos. 5

Holder of plastic, angled, for outer end marker Delivered with 4 pcs. stainless torx screws. Mounting hole distance: 77 mm	1	098 292 611
LED outer end marker 12/24V, Right - 300 mm connection cable with Super Seal plug	2	098 241 448
LED outer end marker 12/24V, Left - 300 mm connection cable with Super Seal plug	2	098 241 449
Protection cover for tail light	3	098 296 710
Cover of LED control - For covering of SLD connection at TM17 Tightens and protects contacts for SLD-unit	4	098 296 700
LED-Control unit 12/24V for TM17 Tail light built-in For monitoring direction indicator or stop light. One unit per function is needed For mounting at the back of the housing light. Connection with 3 x spring-loaded contacts	5	098 298 149

Pos. 1



TM12 LED Tail lights 12/24V

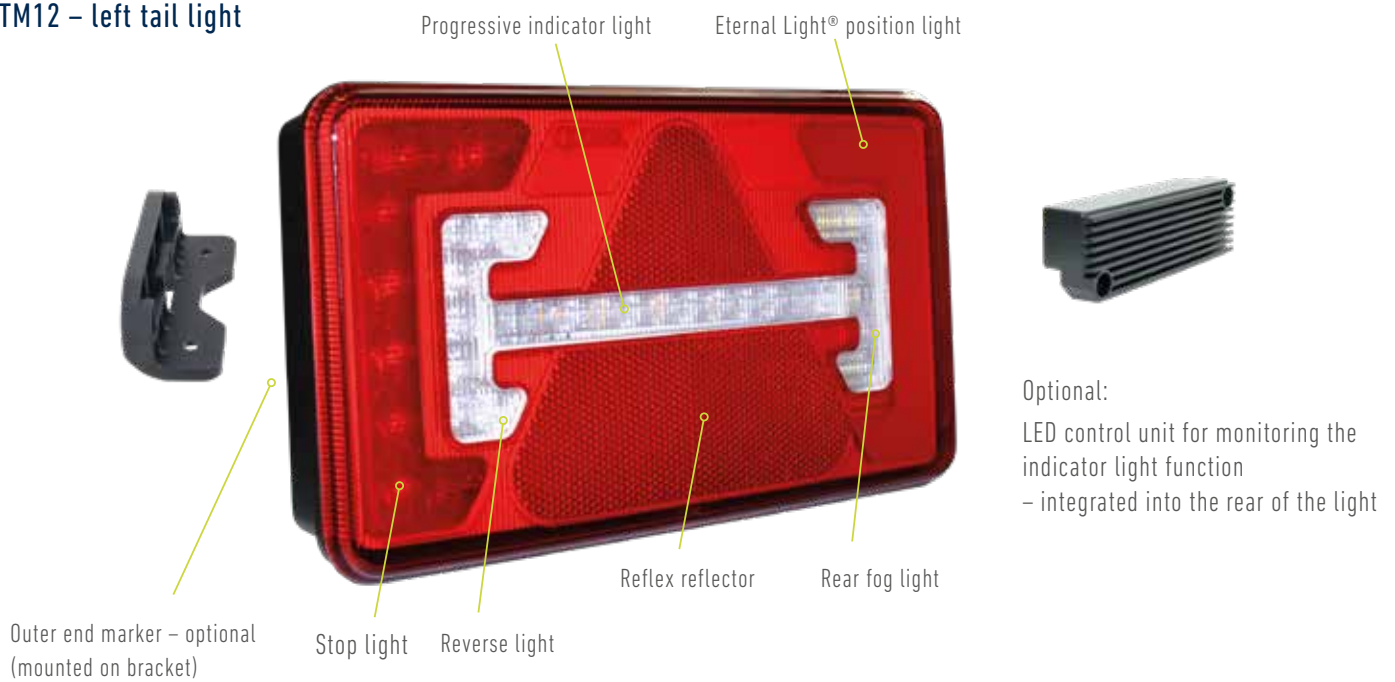
Compact rear light with integrated control unit

Solves many challenges

Highlights

- Housing and lens made of highly resistant polycarbonate
- ERMAX patented position light – Eternal Light® – for optimum traffic safety
- Dynamic indicator light
- Integrated multi-volt 12/24V LED control for monitoring of indicator light function, both ISO 13207 and older vehicles according to ECE R48 (optional)
- Compact – especially suitable for vehicles with limited installation space
- Can be used for both trailer and truck – uniform look
- The market's only tail light with adjustable IP69K license plate light

TM12 – left tail light

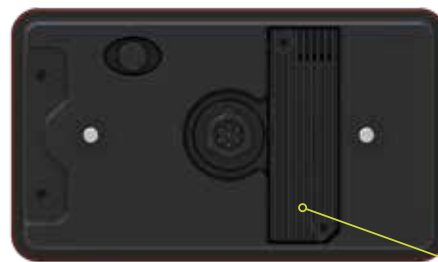


Rear variants



Without LED control unit for indicator light. 7-pole AMP socket.

Cover



With LED control unit for indicator light. 7-pole AMP socket.

LED control unit

TM12 LED Tail lights 12/24V

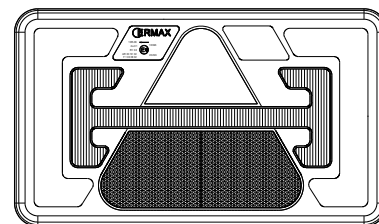
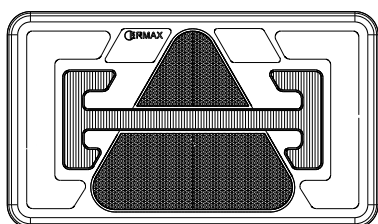
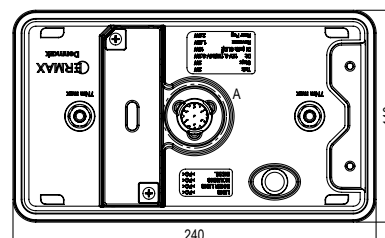
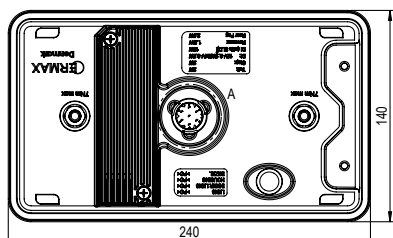
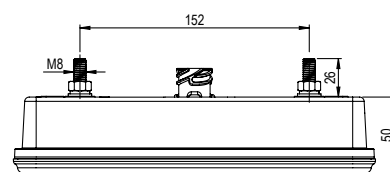
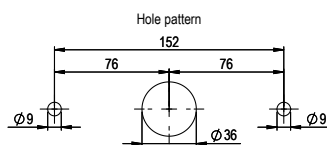
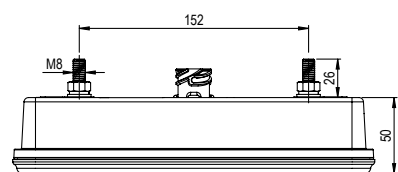
TM12 tail light – TRUCK variant



Truck reflex reflector

TM12 trailer variant with 7-pole socket without license plate light

TM12 TRUCK variant with 7-pole socket (without license plate light)



Description

Lens:	Impact resistant polycarbonate
Housing:	Impact resistant polycarbonate
Dimension:	240 x 140 x 50 mm
Bolt:	M8 / AiSi 304
Bolt distance:	152 mm / M8
IP Rating:	IP69K
Working temperature:	-40°C - +65°C

Consumption per lighting function

Position light:	2,0W
Direction indicator light:	1,8W (18W with LED control)
Stop light:	2,4W
Reverse light:	1,8W
Rear fog light:	2,8W

TM12 LED Tail lights 12/24V



TM12 tail light	RH → LH ←	5-pole socket / M6 bolts	Connection 7-pole AMP socket / M8 bolts	Position Stop Dynamic indicator	Reverse	Rear fog	Reflex reflector	License plate	LED indicator failure control	Artikel no.
	→		✓	✓	✓	✓	△			098 216 620
	←		✓	✓	✓	✓	△			098 216 621
	→		✓	✓	✓	✓	△		✓	098 216 622
	←		✓	✓	✓	✓	△		✓	098 216 623
Truck variant										
	→		✓	✓	✓	✓	□			098 216 630
	←		✓	✓	✓	✓	□			098 216 631

Spare parts and accessories



Pos. 1



Pos. 2



Pos. 3



Pos. 4



Pos. 5



Pos. 6

Spare parts and accessories

Bracket, angled, made of plastic – for mounting of outer end marker light Supplied with 2 pcs. stainless Torx screws – bolt hole distance of 77 mm	1	098 292 611
LED outer end marker light 12/24V, right / left – 300 mm connection cable with Super Seal plug	2	098 241 218
LED outer end marker light 12/24V, right – 300 mm connection cable with Super Seal plug	3	098 241 448
LED outer end marker light 12/24V, left – 300 mm connection cable with Super Seal plug	3	098 241 449
Protection cover, plastic, for tail light – bolt hole distance of 152 mm	4	098 296 705
Protection cover – to be used on the TM12 tail light if the LED control unit is removed	5	098 296 700
LED control unit 12/24V for mounting on TM12 tail light for controlling of the indicator light	6	098 298 149

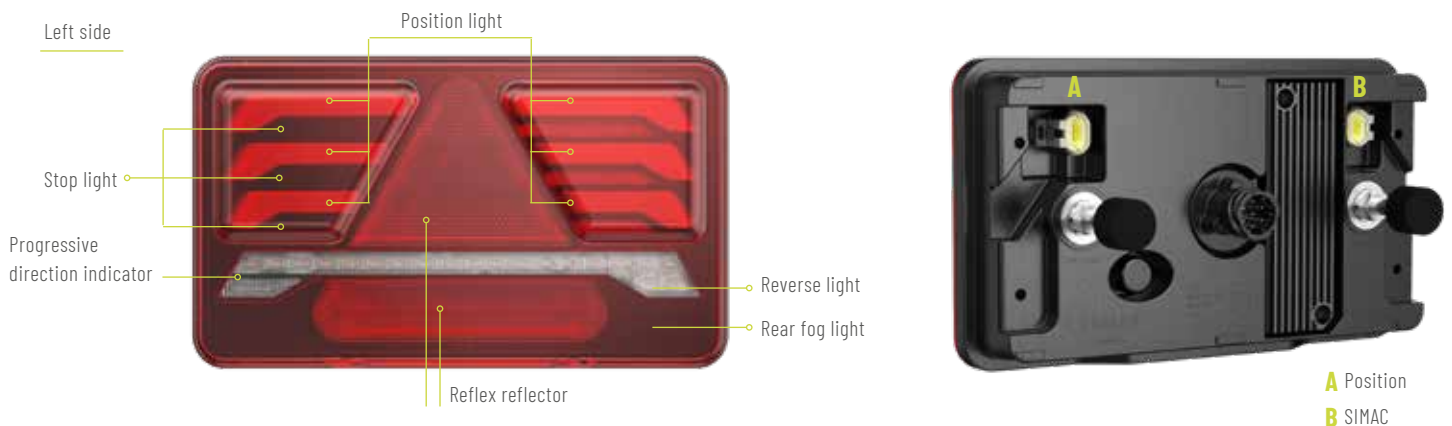
TM18 LED Tail lights 12/24V LED

Impressive depth design and remarkable durability

A flexible lighting solution for any environment

The TM18 multifunction tail light series features a unique, smooth design with a sleek black background, creating a striking sense of depth. This black backdrop accentuates the uniform red tail light function, elegantly displayed through its three horizontal stripes.

An impressive design paired with impact-resistant lens and housing, featuring a progressive direction indicator light. Available variants with built-in failure control for the direction indicator light or as variants with ISO 13207 LED monitoring for the direction indicator light.



Highlights

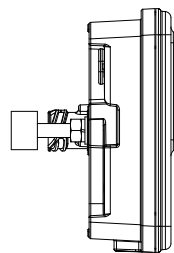
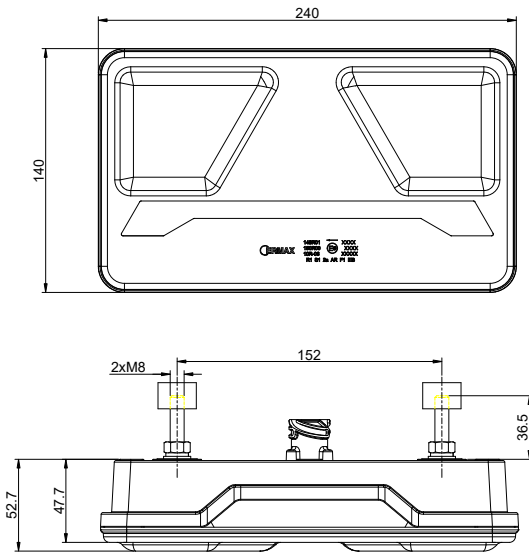
- Unique Design
- Modern direction indicator light
- Durability and longevity
- Outer end marker light
- Integrated SIMAC
- Built-in LED failure control
- ISO-Impulse ready
- Customizable Lighting
- Cross-Wiring safety
- Rear connections

TM18 LED Tail lights 12/24V

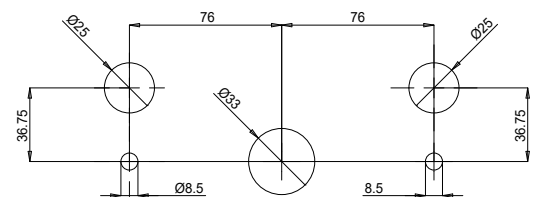
Technical details and dimensions

Customizable Lighting

Option for a custom logo as the position light - let us talk about it!



Pin	Function	Power consumption
1	Ground	-
2	Position	4,8W
3	Reverse	2,4W
4	Prog. direction indicator	24,0W
5	Stop	3,0W
6	Fog	3,8W
7	Cross connected position	-



Technical specifications:

Lens and housing:	Impact-resistant polycarbonate
Direction indicator:	Progressive DI
Voltage:	12/24 or 24V
Dimension:	245 x 145 x 45 mm
Bolt:	M8 / Aisi 304
Bolt distance:	152 mm
Working temperature:	-40°C - +65°C
IP rating:	IP69K

*Variants with ISO 13207

Variants that are equipped with direction indicator light failure monitoring according to ISO 13207 only work with 24V vehicles. For 12V vehicles, an LED control unit must be used as needed.



Voltage (DC)	Right → Left ←	Position Stop Prog. indicator Reverse Rear fog Reflex reflector	Connection 7-pin AMP socket	Cable length	2x2 Super Seal placed on the back	SIMAC built-in	LED control built-in	Article No.
12/24V	→	✓	✓		✓	✓	Dir. indicator light	098 216 830
12/24V	←	✓	✓		✓	✓	Dir. indicator light	098 216 831
24V	→	✓	✓		✓	✓	ISO 13207*	098 216 820
24V	←	✓	✓		✓	✓	ISO 13207*	098 216 821
12/24V	→	✓	On cable	300 mm	✓	✓	Dir. indicator light	098 216 838
12/24V	←	✓	On cable	300 mm	✓	✓	Dir. indicator light	098 216 839

Spare parts & Accessories TM18 Tail lights 12/24V



Pos. 1



Pos. 2



Pos. 3

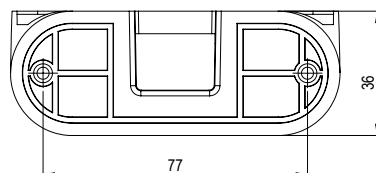
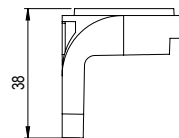
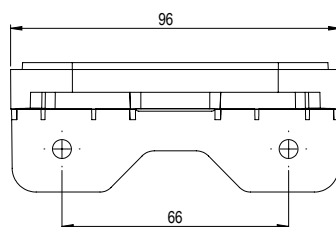


Pos. 4



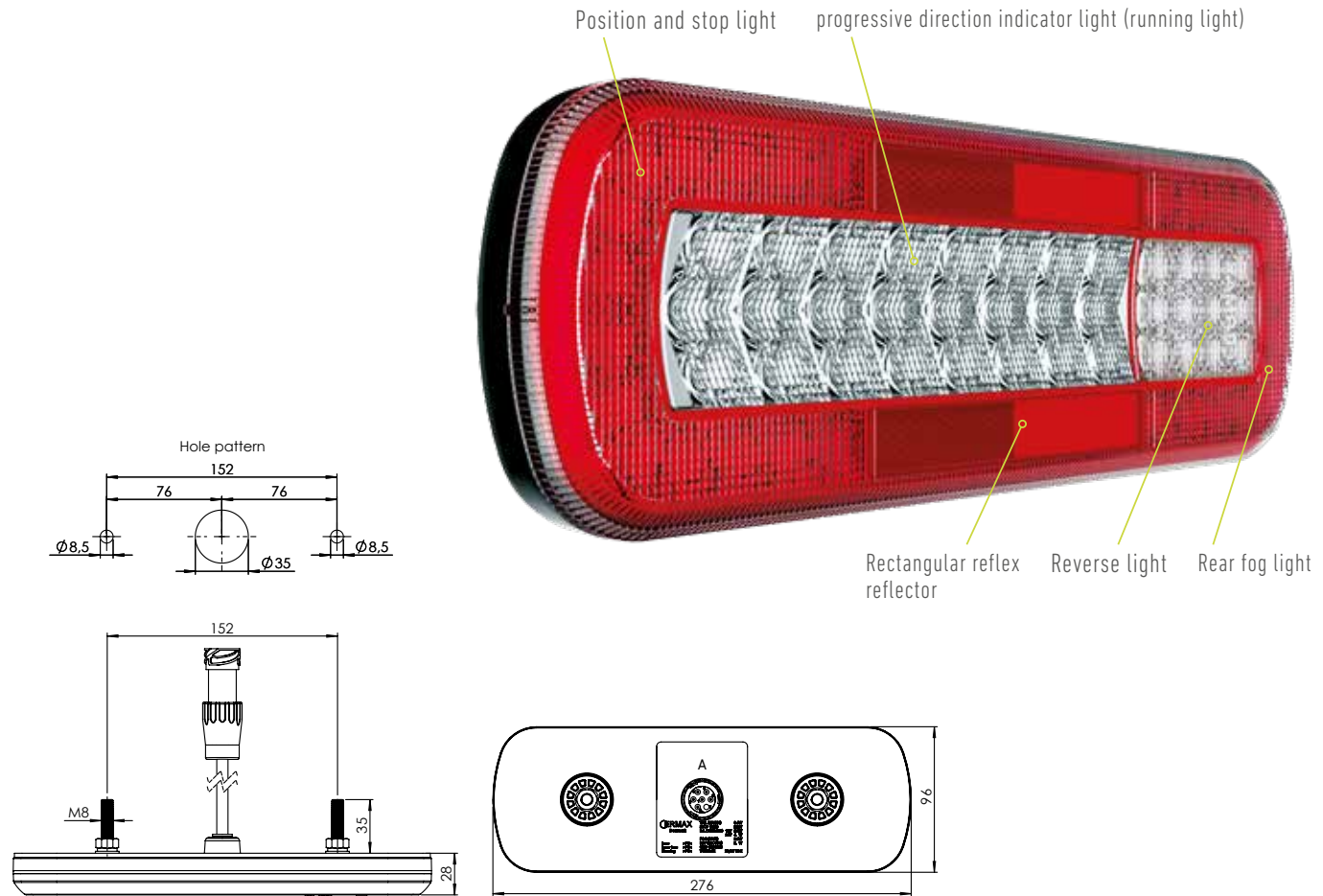
Pos. 5

Holder of plastic, angled, for outer end marker Delivered with 4 pcs. stainless torx screws. Mounting hole distance: 77 mm	1	098 292 611
LED Outer end marker light, 12/24V right/left - 300 mm cable with Super Seal plug.	2	098 241 218
LED outer end marker 12/24V, Right - 300 mm connection cable with Super Seal plug	3	098 241 448
LED outer end marker 12/24V, Left - 300 mm connection cable with Super Seal plug	3	098 241 449
Protection cover, plastic, for tail light	4	098 296 705
LED-Control unit 12/24V for TM18 Tail light built-in For monitoring direction indicator light. For mounting at the back of the housing light. Connection with 3 x spring-loaded contacts	5	098 298 149



TM15 LED Tail light 12/24V

Smart, modern 6 function tail light for trucks with dynamic direction indicator light
 Long slim design with many LEDs which gives a beautiful and modern light pattern



Description

Lens:	Impact resistant polycarbonate
Direction indicator:	Dynamic direction indicator light(running light)
Housing:	Impact resistant polycarbonate
Dimension:	276 x 96 x 28 mm
Bolt:	M8 / AiSi 304
Bolt distance:	152 mm / M8
Working temperature:	-40°C - +65°C°
IP Rating:	IP69K

Consumption per lighting function

Position light:	0,4W
Direction indicator light:	4,3W
Stop light:	2,2W
Reverse light:	2,8W
Rear fog light:	2,9W



Type	Right → Left ←	Position Stop Progressive dir. indicator Reverse Rear fog Rectangular reflex reflector	Connection	Cable length	Article no.
LED	→ ←	✓	7 poled AMT socket	300 mm	098 216 590

A classic new developed

The newest technology – integrated LED failure control

The classic ERMAX TM4 LED tail light is well-known and has been used on vehicles all over Europe for many years. Due to new vehicle technology challenges with the light function recognition, ERMAX has new developed the classic TM4 LED tail light. The new TM4 tail light now meets the highest demands in the areas of technique, quality and functionality.

The design and build-in measures of the TM4 tail light have not been changed. Quite NEW is, however, the possibility of getting the tail light with integrated LED failure control for monitoring the direction indicator light and the stop light. This means that the vehicle is able to control the light functions according to ECE regulations.

The integrated LED failure control offers many advantages, as it supports both the ISO 13207 and the state-of-the-art LED monitoring.

TM4 LED Tail light



The integrated LED failure control will solve many challenges

Highlights

- LED tail light with integrated LED control for monitoring the indicator and stop light in accordance with ECE 58.
- Use of a technology that is not only limited to ISO 13207 but also takes over the monitoring of older and new vehicles*.
- Control of flashing side marker lights (SIMAC®) by using rear cable with incorporated SIMAC®.
- Space-saving and fewer interfaces in the wiring harness, as no external control units / control boxes are required.
- Easy and quick mounting. Cost-saving due to reduction of mounting time and no maintenance.
- Classic design which can easily be combined with other existing lights.
- Possibility of a unique red-white-red design.
- D-approval and thus suitable for double mounting.

* Applies to all well-known brands in EU countries from 11/2009

Convincing technology

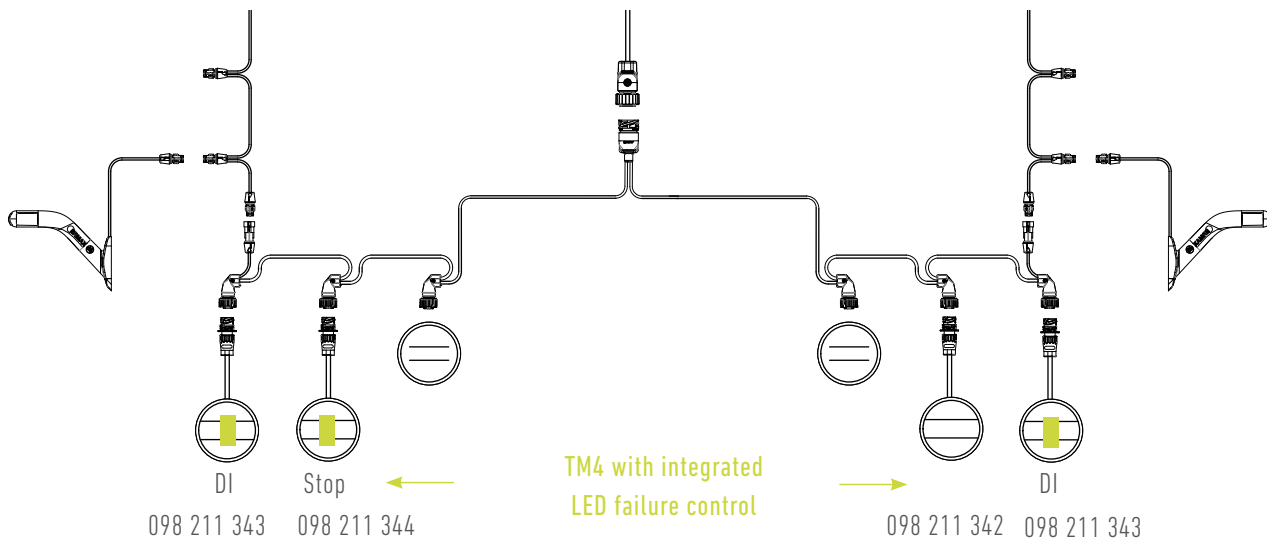
The best choice

The newest technology for monitoring and control of LED light functions

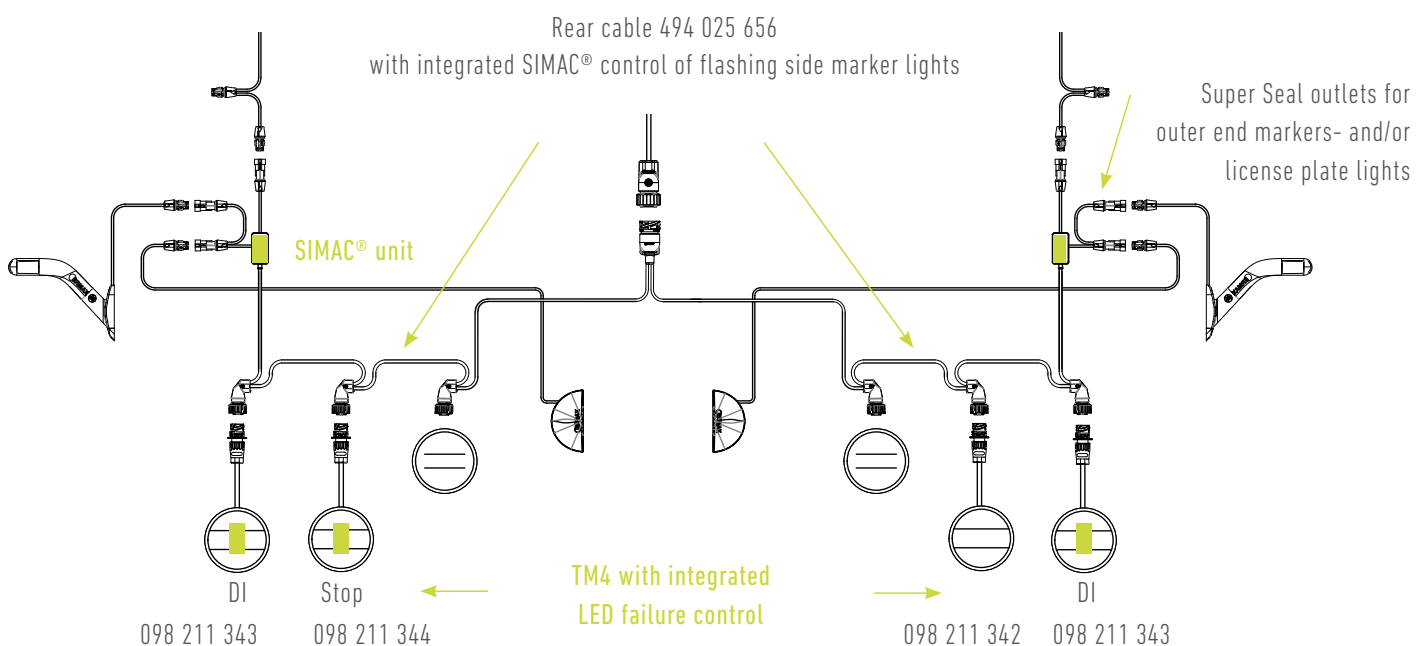
Using the newest technology in the ERMAX TM4 tail light enables integrated LED control to monitor the indicator and stop light function. If control of flashing side marker lamps SIMAC are needed ERMAX offers several innovative solutions, which can be connected easily and intelligently as a part of the cable system or as a plug-in solution.

- The integrated LED control in the tail light for monitoring the indicator and stop light functions, using a technology which is not limited to ISO 13207 and thus can be used for all vehicle* according to ECE R48.
- Intelligent control of the flashing side marker lights SIMAC® according to ECE R48 integrated in the rear cable.

Cable system with LED failure control for direct indicator and stop light function - integrated in the TM4 tail lights



Cable system with LED failure control for direct indicator and stop light function integrated in the TM4 tail lights - and SIMAC® in the rear cable



Variants & functions

for every use



TM4 LED tail light Surface mounting	Voltage	Position Stop Indicator	Reverse	Rear fog	Connection	D-approval	LED control integrated	Article No.
--	---------	-------------------------------	---------	----------	------------	------------	---------------------------	-------------

Classic design - with D approval

	24V	✓			Cable lead through rubber grommet	✓		098 211 340
	24V	✓			300 mm cable with 7 pole AMP socket	✓		098 211 342
	24V	✓			Cable lead through rubber grommet	✓	Direct indicator light	098 211 341
	24V	✓			300 mm cable with 7 pole AMP socket	✓	Direct indicator light	098 211 343
	24V	✓			300 mm cable with 7 pole AMP socket	✓	Stop light	098 211 344
	24V	✓			3000 mm cable open end	✓		098 211 345
	24V	✓			3000 mm cable open end	✓	Direct indicator light	098 211 346
	24V	✓			300 mm cable open end	✓	Stop light	098 211 348

Classic design - without D approval

	12/24V	✓			Cable lead through rubber grommet			098 212 442
	12/24V	✓			300 mm cable with 7 pole AMP socket			098 212 436

Unique red-white-red design

	12/24V	✓			Cable lead through rubber grommet	✓		098 211 360	
	With D approval								
	12/24V	✓			300 mm cable with 7 pole AMP socket	✓		098 211 362	
	24V	✓			300 mm cable with 7 pole AMP socket	✓	Direct indicator light	098 211 363	

Variants & functions

for every use



TM4 LED tail light Surface mounting	Voltage	Position Stop Indicator	Reverse	Rear fog	Connection	D-approval	LED control integrated	Article No.
--	---------	-------------------------------	---------	----------	------------	------------	---------------------------	-------------

Combination rear light - reversing and rear fog - without D approval

	12/24V		✓	✓	Cable lead through rubber grommet			098 255 340
	12/24V		✓	✓	300 mm cable with 7 pole AMP socket			098 255 342

Single-function rear light - reversing or rear fog - without D approval



	12/24V		✓		Cable lead through rubber grommet			098 256 343
	12/24V		✓		300 mm cable with 7 pole AMP socket			098 256 336
	12/24V			✓	Cable lead through rubber grommet			098 257 349
	12/24V			✓	300 mm cable with 7 pole AMP socket			098 257 336

Material description

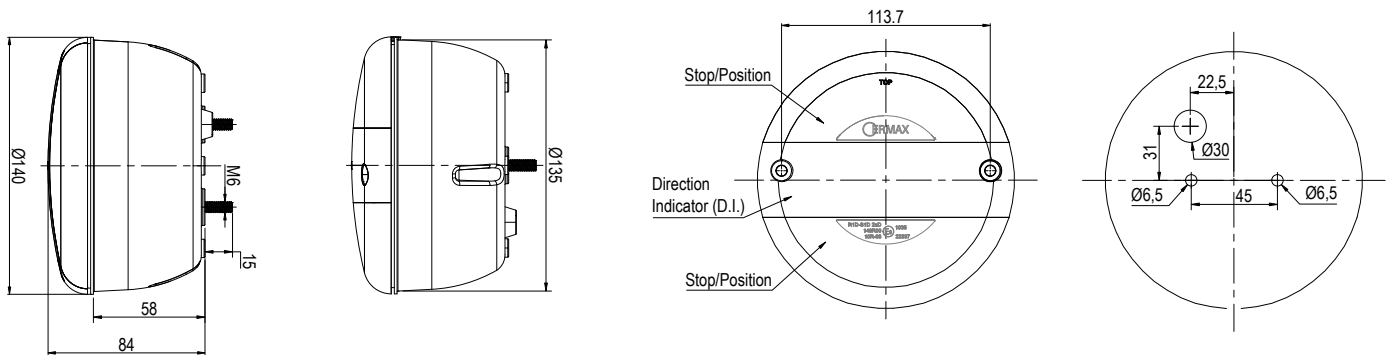
Lens:	PMMA
Housing:	PP
Measure:	Ø140 x 84 mm
Bolt:	M6 / AiSi 304
Bolt distance:	45 mm / M6
Working temperature:	-40°C - +65°C
IP-Rating:	IP54
LED-Unit:	IP69K

Consumption per lighting function

Position light:	0,2W
Direction indicator light:	2,0W (19W with LED control)
Stop light:	2,0W (19W with LED control)
Reverse light:	2,3W
Rear fog light:	2,0W

Drawings, measure and spare parts

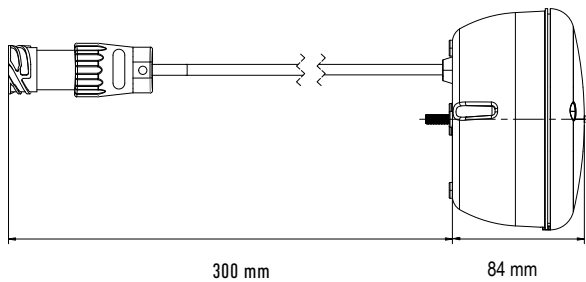
TM4 LED tail light with rubber grommet



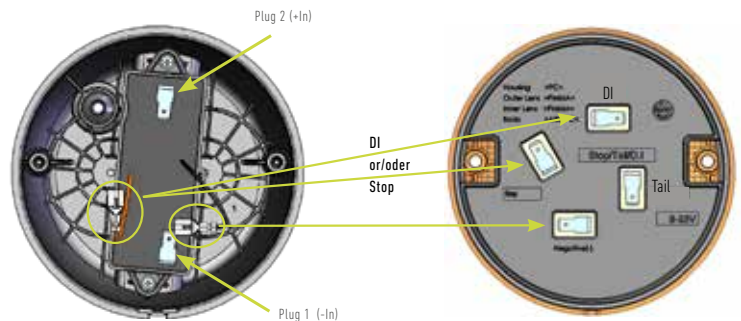
LED failure control on functions that are not preconfigured

The ERMAX TM4 tail light is pre-configured to monitor a specific light function as described above. If monitoring of a different light function is required, this can be changed by changing a pair of plug connections.

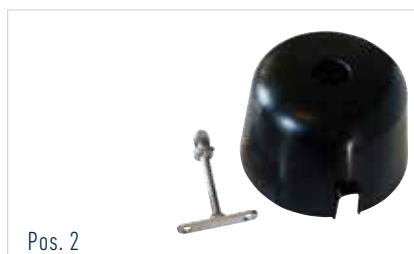
TM4 LED tail light with 300 mm connection cable with 7 pole AMP socket



LED failure control on functions that are not preconfigured



Spare parts and accessories

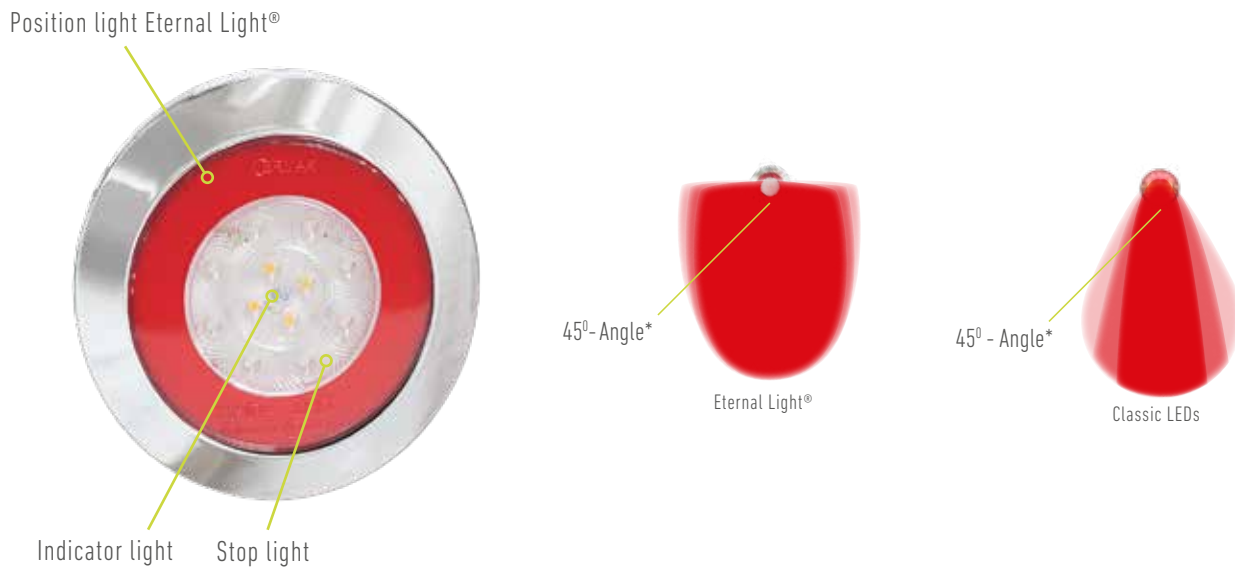


Chrome ring and built-in kit	1	098 292 360
Protection cover for tail light	2	098 296 720
TM4 housing with LED failure control unit 24V, cable lead through rubber grommet, for monitoring the direct indicator or stop light function	3	098 298 114

TM5 LED Tail lights with Eternal Light® and chrome ring 12/24V (Built-in)

The highlights of the ERMAX TM5 tail light in full LED are a modern and recognizable design with Eternal Light® light function for almost every application - both on the trailer and on the truck.

Due to its slim design and ultra-thin installation depth, the TM5 LED tail light is ideal for integration in an underrun protection bar.



Highlights

- Impact-resistant lens made of polycarbonate
- Can be used for trailer and truck
- Ultra Slimline-Design - Maximum installation flexibility
- Chrome ring is screwed mounted - easy to replace
- ERMAX patented position light – Eternal Light®
- Compatible with the intelligent ERMAX LED failure control and the SIMAC control unit according to ECE 48 regulations
- Certified according to all relevant standards and regulations in Europe

Light technology Eternal Light® – increases road safety

ERMAX Eternal Light® light technology is designed for the best possible SAFETY when driving. It offers the best possible homogeneous light function and has various advantages based on test results.

- Eternal Light® lighting technology – is perceived by other road users earlier than classic LEDs lights or bulb lights.
- Contributes to reducing the number of accidents in connection with changing lanes and right turns.
- Soft visuality when platooning.
- Prevents fatigue in case of long-lasting impact and thus also accidents.

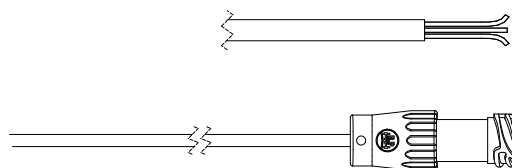
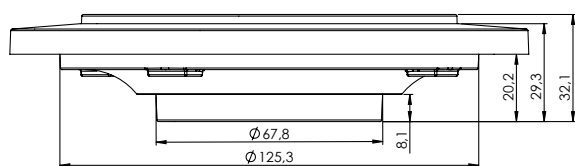
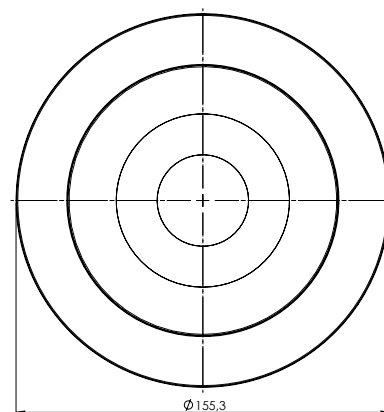
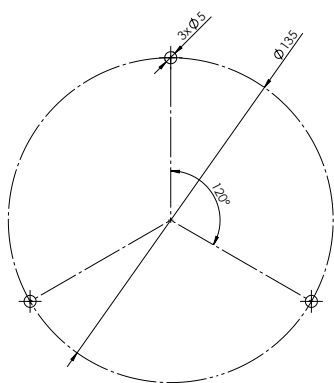
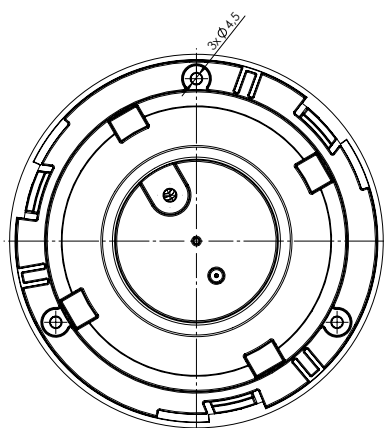
TM5 LED Tail lights with Chrome ring 12/24V (Built-in)



Pos. 1



Pos. 2



Description

Tail light with Eternal Light™ technology - for Built-in
Ultra thin installation depth

Lens:	Impact resistant polycarbonate
Housing:	Impact resistant polycarbonate
Dimension:	Ø155 x 32 mm
Built-in:	Ø126 mm
Bolt distance:	3 pcs Ø4,5 mm in 120° spread in Ø135 mm
Working temperature:	-40°C - +65°C
IP Rating:	IP69K

Consumption per lighting function

Position light:	2,5W
Direction indicator light:	1,5W
Stop light:	2,5W
Reverse light:	2,3W
Rear fog light:	7,5W

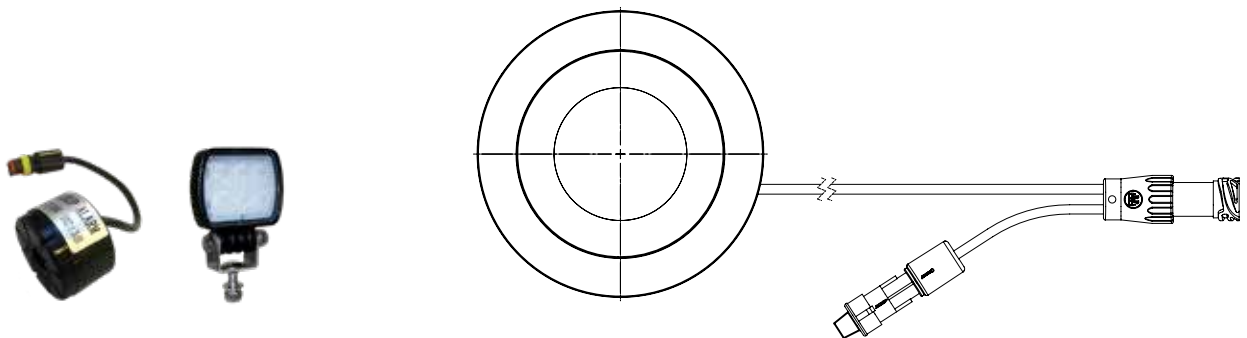
TM5 LED Tail lights with Chrome ring 12/24V (Built-in)



Operation voltage	IP Rating	Position Stop Dir. indicator	Reverse Rear fog	Connection	Cable length	Outlet Super Seal	Pos.	Article No.
12/24V	IP69K	✓		Open end	2500 mm		1	098 212 101
12/24V	IP69K	✓		7 poled AMP socket	300 mm		1	098 212 102
12/24V	IP69K		✓	Open end	2500 mm		2	098 255 101
12/24V	IP69K		✓	7 poled AMP socket	300 mm		2	098 255 102
12/24V	IP69K		✓	7 poled AMP 1.5 socket	1.200 mm	200 mm cable with Super Seal socket for Reverse alarm / Reverse light	2	098 255 104

098 255 104

- with outlet Super Seal socket on the cable for reversing light or reversing alarm



Spare parts



Chrome ring

098 292 215

TM6 LED Tail lights 12/24V (Surface mounting)



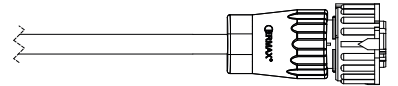
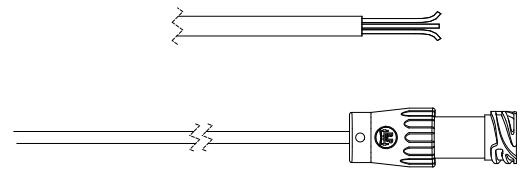
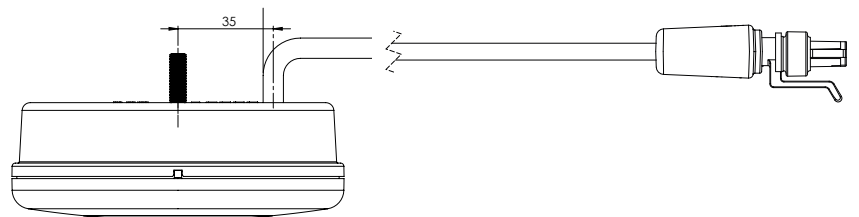
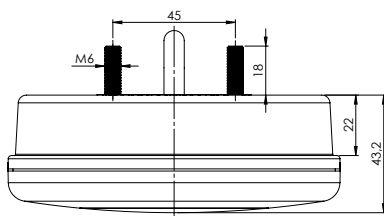
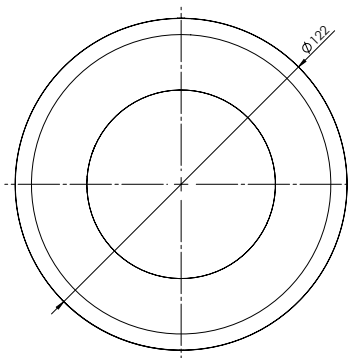
Pos. 1



Pos. 2



Pos. 3

**Description**

Lens:	PMMA
Housing:	ABS
Dimension:	Ø122 x 43.2 mm
Bolt distance:	45 mm / M6
Working temperature:	-40°C - +65°C
IP Rating:	IP69K

Consumption per lighting function

Position light:	0,5W
Direction indicator light:	1,5W
Stop light:	2,0W
Reverse light:	2,0W
Rear fog light:	3,0W

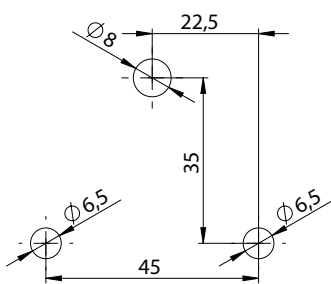
TM6 LED Tail lights 12/24V (Surface mounting)



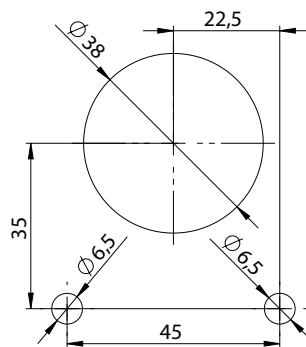
Operation voltage	IP Rating	Position Stop Dir. indicator	Reverse	Rear fog	Cable length	Connection	Pos.	Article No.
12/24V	IP69K	✓			2.500 mm	Open end	1	098 212 022
12/24V	IP69K	✓			2.000 mm	7 poled AMP 1.5 plug	1	098 212 027
12/24V	IP69K	✓			300 mm	7 poled AMP 1.5 socket	1	098 212 028
12/24V	IP69K	✓			7.000 mm	7 poled AMP 1.5 socket	1	098 212 024
12/24V	IP69K		✓	✓	2.500 mm	Open end	2	098 255 022
12/24V	IP69K		✓	✓	200 mm	7 poled AMP 1.5 socket	2	098 255 028
12/24V	IP69K		✓	✓	7.000 mm	7 poled AMP 1.5 plug	2	098 255 024
12/24V	IP69K			✓	1.000 mm	2 poled Super-Seal plug	3	098 257 027

Hole pattern

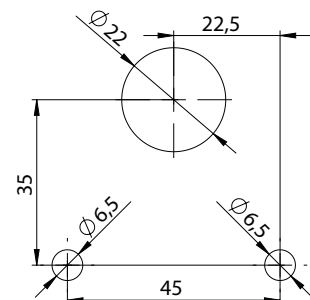
Open end



7 poled AMP plug



2 poled Super-Seal plug



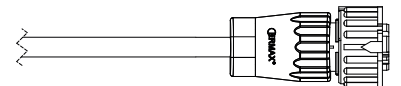
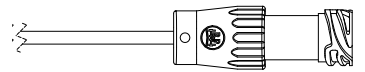
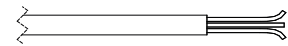
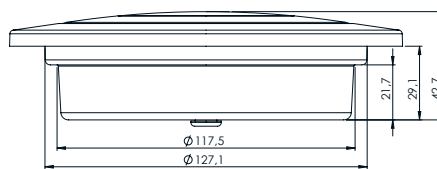
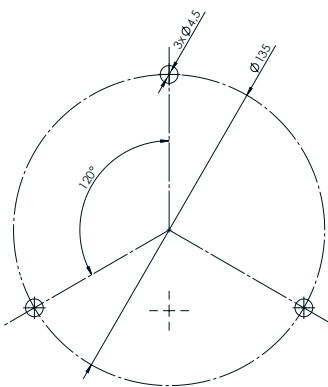
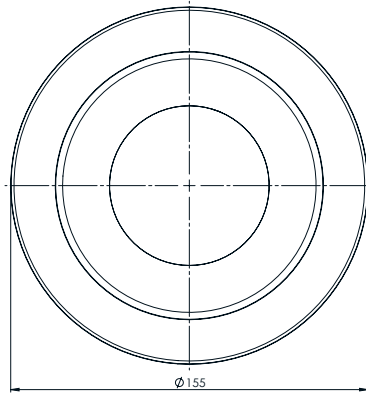
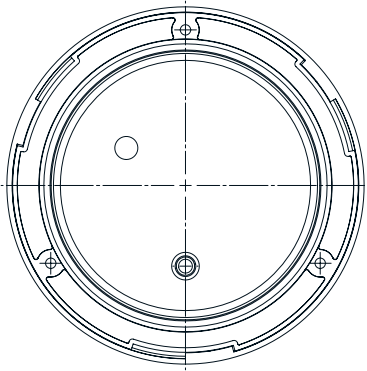
TM7 LED Tail lights 12/24V (Built-in)



Pos. 1



Pos. 2



Description

Lens:	PMMA
Housing:	ABS
Dimension:	Ø155 x 42,7 mm
Bolt distance:	45 mm / M6
Built-in:	Ø127 mm
Mounting holes:	3 pcs Ø4,5 mm in 120° spread in Ø135
Working temperature:	-40°C - +65°C

Consumption per lighting function

Position light:	0,5W
Direction indicator light:	1,5W
Stop light:	2,0W
Reverse light:	2,0W
Rear fog light:	2,0W

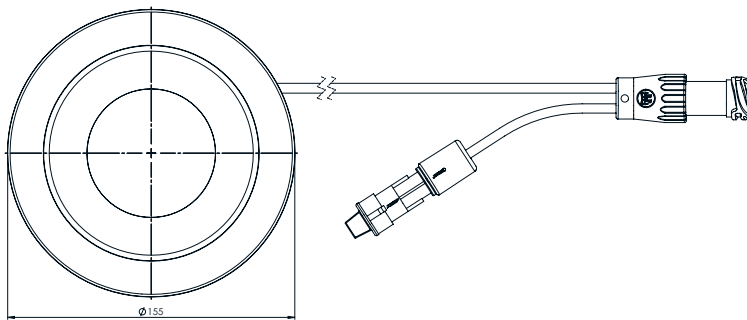
TM7 LED Tail lights 12/24V (Built-in)



Operation voltage	IP Rating	Position Stop Dir. indicator	Reverse Rear fog	Cable length	Connection	Outlet Super Seal	Pos.	Article No.
12/24V	IP69K	✓		2.500mm	Open end		1	098 212 002
12/24V	IP69K	✓		300 mm	7 poled AMP 1.5 socket		1	098 212 008
12/24V	IP69K	✓		2.000 mm	7 poled AMP 1.5 plug		1	098 212 017
12/24V	IP69K	✓		4.000 mm	7 poled AMP 1.5 plug		1	098 212 019
12/24V	IP69K		✓	2.000 mm	7 poled AMP 1.5 plug		2	098 255 017
12/24V	IP69K		✓	200 mm	7 poled AMP 1.5 socket		2	098 255 018
12/24V	IP69K		✓	2.500 mm	Open end		2	098 255 002
12/24V	IP69K		✓	1.000 mm	7 poled AMP 1.5 socket	200 mm cable with Super Seal socket for Reverse alarm / - Reverse light	2	098 255 014

098 255 104

- with outlet Super Seal socket on the cable for reversing light or reverse gear alarm



Spare parts



Chrome ring Ø155 mm	098 292 216
Black ring Ø155 mm	098 292 217

TM16 LED tail light 24V (built-in)

Modern design, function and technology combined

The new round 3 and 2 function TM16 LED tail light from ERMAX

The TM16 tail light serie features a unique design with a black background which highlights the homogeneous red tail light function in its 3 horizontal stripes. A pretty cool design combined with impact-resistant lens and housing, chrome-ring, the option of progressive direction indicator light and variants with ISO 13207 LED monitoring on the direction indicator light.

The serie also offers individual vehicle styling with a huge range of options, and can be used on both trucks and trailers.

The ERMAX TM16 LED built-in tail light is designed based on the latest lighting- and LED technologies and meets the toughest requirements for technology, quality and functionality.



Position-, stop- and direction indicator light



Position-, stop- and progressive direction indicator light



Fog- and reversing light



Position-, fog- and reversing light

ERMAX TM16 - why?

- 1 Unique design**
 Built-in light in modern, compact design, with black background. Homogeneous position light with 3 stripes, with Eternal Light function.
- 2 Long lifetime and durability.**
 Strong, impact-resistant lens and housing made of polycarbonate.
- 3 Two direction indicator functions**
 Option of standard direction indicator function or modern progressive direction indicator light.
- 4 Chrome-ring**
 Hides screws, gives a modern look. Also available in gloss black.
- 5 Compatible with all tractor units**
 Variants with ISO13207 LED monitoring on indicator light as standard - or ERMAX LED control box for monitoring indicator light as plug-in.
- 6 D-approval when double-mounting.**
 Facilitates ECE compliant double mounting of tail lights as a single unit.
- 7 Flexible connection options**
 Connection with open-end or 7 pole AMP plug connection. Fog/rear light available with outlets for extra reversing lights.
- 8 First class, approved quality - 3 year warranty**
 All products are subject to our strict quality criteria and test methods to be able to guarantee high product quality.

Individual styling

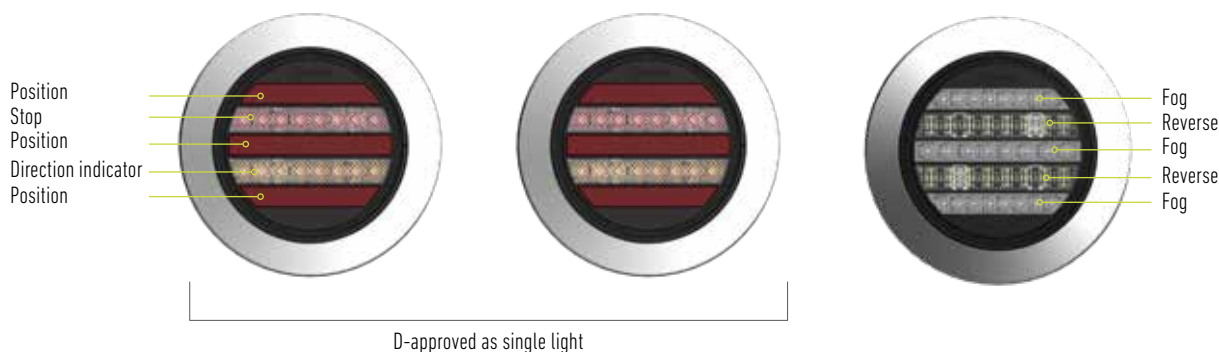
Design the rear just the way it suits you - individual, functional and stylish.

Flexibility

The ERMAX TM16 is ideal for individual styling of a vehicle and has many application possibilities - both on trailer as on truck.

TM16 tail lights can be fitted horizontally and vertically and as high-mounted lights, and with the various connection options, fits perfectly with the ERMAX standard cable system.

Traditional mounting is ECE compliant



Uniform look - all functions

ECE compliance without other rear-facing position lights



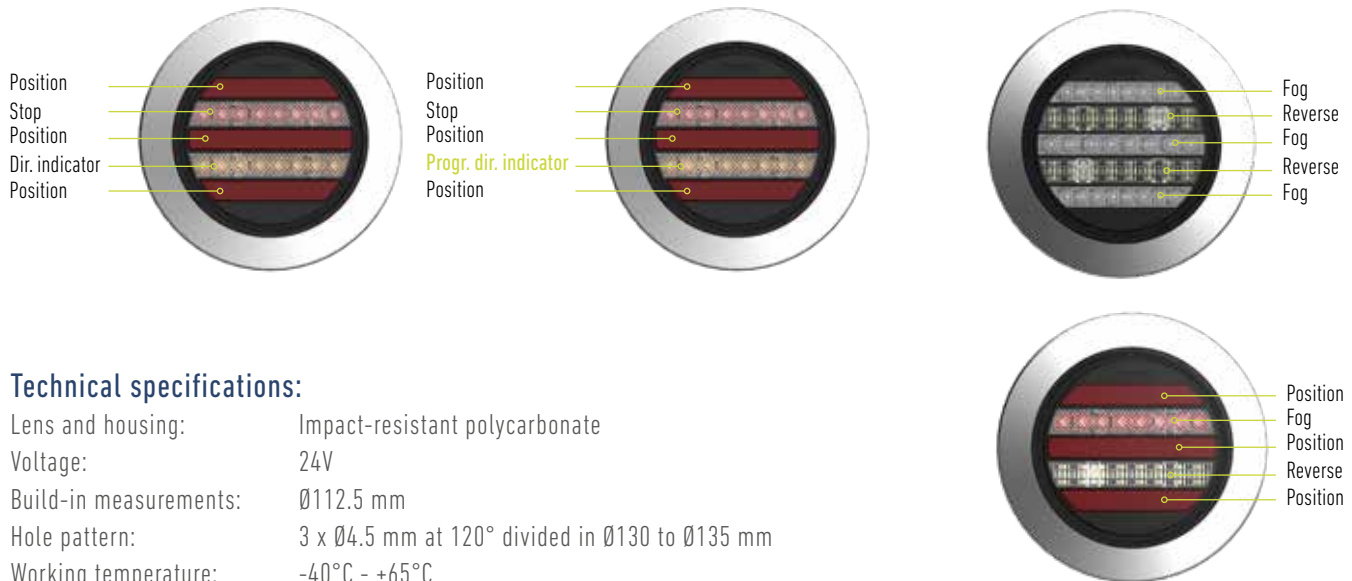
Dynamic direction indicator in 3 function light

No ECE compliance



TM16 LED tail light 24V (built-in)

Variants without ISO 13207



Technical specifications:

Lens and housing:	Impact-resistant polycarbonate
Voltage:	24V
Build-in measurements:	Ø112.5 mm
Hole pattern:	3 x Ø4.5 mm at 120° divided in Ø130 to Ø135 mm
Working temperature:	-40°C - +65°C
IP rating:	IP69K

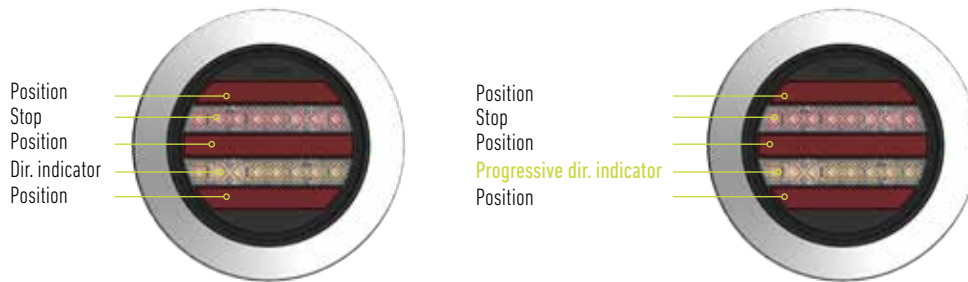


Voltage	Right → Left ←	Position	Stop	Dir. indicator traditional	Dir. indicator progressive	Reverse Fog	Connection	Cable length	Outlet with Super Seal socket	D-approved	Item no.
24V	→ ←	✓	✓	✓			Open end	2,500 mm		✓	098 211 201
24V	→ ←	✓	✓	✓			7 pole AMP 1.5 socket	300 mm		✓	098 211 202
24V	→	✓	✓		✓		Open end	2,500 mm			098 211 210
24V	←	✓	✓		✓		Open end	2,500 mm			098 211 211
24V	→	✓	✓		✓		7 pole AMP 1.5 socket	300 mm			098 211 212
24V	←	✓	✓		✓		7 pole AMP 1.5 socket	300 mm			098 211 213
24V	→ ←					✓	Open end	2,500 mm			098 255 201
24V	→ ←					✓	7 pole AMP 1.5 socket	300 mm			098 255 202
24V	→ ←					✓	7 pole AMP 1.5 socket	1,000 mm	200 mm cable with Super-Seal socket for reversing light		098 255 204
24V	→	✓				✓	Open end	2,500 mm			098 255 210 *
24V	←	✓				✓	Open end	2,500 mm			098 255 211 *
24V	→	✓				✓	7 pole AMP 1.5 socket	300 mm			098 255 212 *
24V	←	✓				✓	7 pole AMP 1.5 socket	300 mm			098 255 213 *
24V	→	✓				✓	7 pole AMP 1.5 socket	1,000 mm	200 mm cable with Super-Seal socket for reversing light		098 255 214 *
24V	←	✓				✓	7 pole AMP 1.5 socket	1,000 mm	200 mm cable with Super-Seal socket for reversing light		098 255 215 *

* NB: The reason for a right and left variant is, that the fog light is reduced on the right and left side of the light respectively, meaning it can be mounted close to the rear light and still maintain the mandatory 100 mm distance between stop and fog lights.

TM16 LED tail light 24V (built-in)

Variants with ISO 13207 - Indicator monitored by integrated ISO13207 pulse system



Consumption per lighting function without ISO13207)

Position light:	3,0W
Direction indicator light:	1,6W
Stop light:	2,1W
Reverse light:	3,0W
Rear fog light:	1,5W

Consumption per lighting function with ISO13207)

Position light:	3,0W
Direction indicator light:	3,0W
Stop light:	2,1W
Reverse light:	3,0W
Rear fog light:	1,5W



Voltage	Right → Left ←	Position	Stop	Dir. indicator traditional	Dir. indicator progressive	Reverse Fog	Connection	Cable length	D-approved	Item no.
24V	→ ←	✓	✓	✓			Open end	2,500 mm	✓	098 211 231
24V	→ ←	✓	✓	✓			7 pole AMP 1.5 socket	300 mm	✓	098 211 232
24V	→	✓	✓		✓		Open end	2,500 mm		098 211 240
24V	←	✓	✓		✓		Open end	2,500 mm		098 211 241
24V	→	✓	✓		✓		7 pole AMP 1.5 socket	300 mm		098 211 242
24V	←	✓	✓		✓		7 pole AMP 1.5 socket	300 mm		098 211 243



Example with gloss black ring

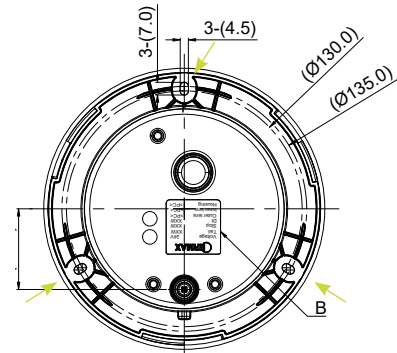
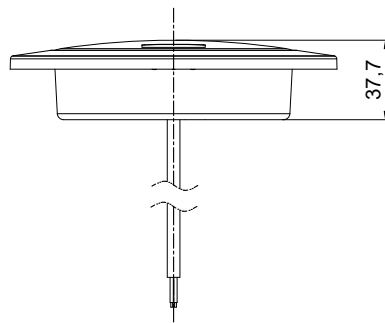
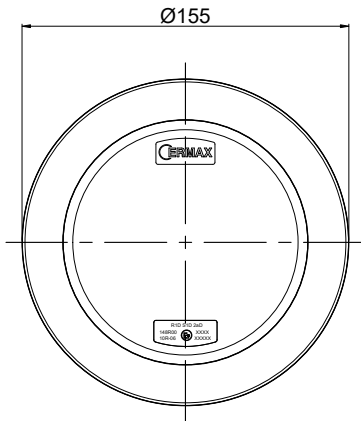
Spare parts

Chrome-ring Ø155 mm	098 292 216
Gloss black ring Ø155 mm - can replace the chrome ring	098 292 217

TM16 LED tail light 24V (built-in)

Technical details and dimensions

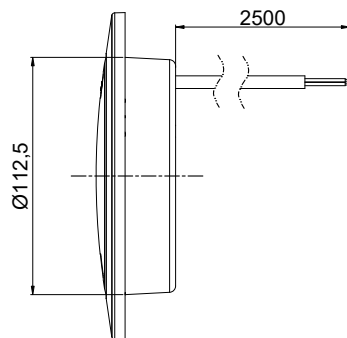
Dimensions



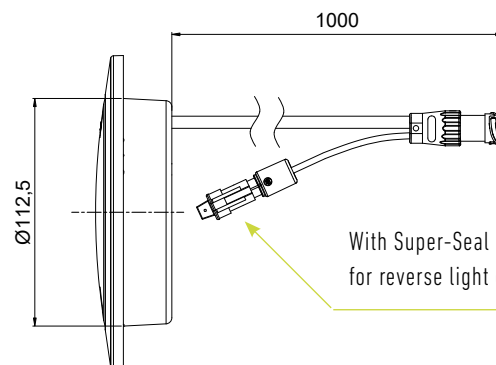
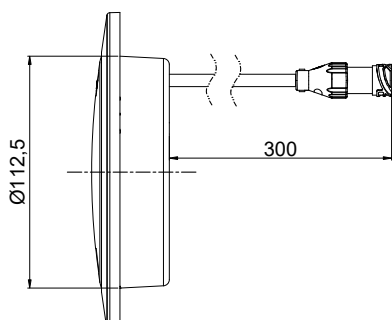
Can be mounted at 120° divided on Ø130 to Ø135

Connection open-end:

- White: Minus (-)
- Green: Position
- Amber: Direction indicator
- Red: Stop



Connection to 7 pole AMP socket



With Super-Seal socket outlet on cable for reverse light or reversing alarm

TM8 LED Tail lights 12/24V



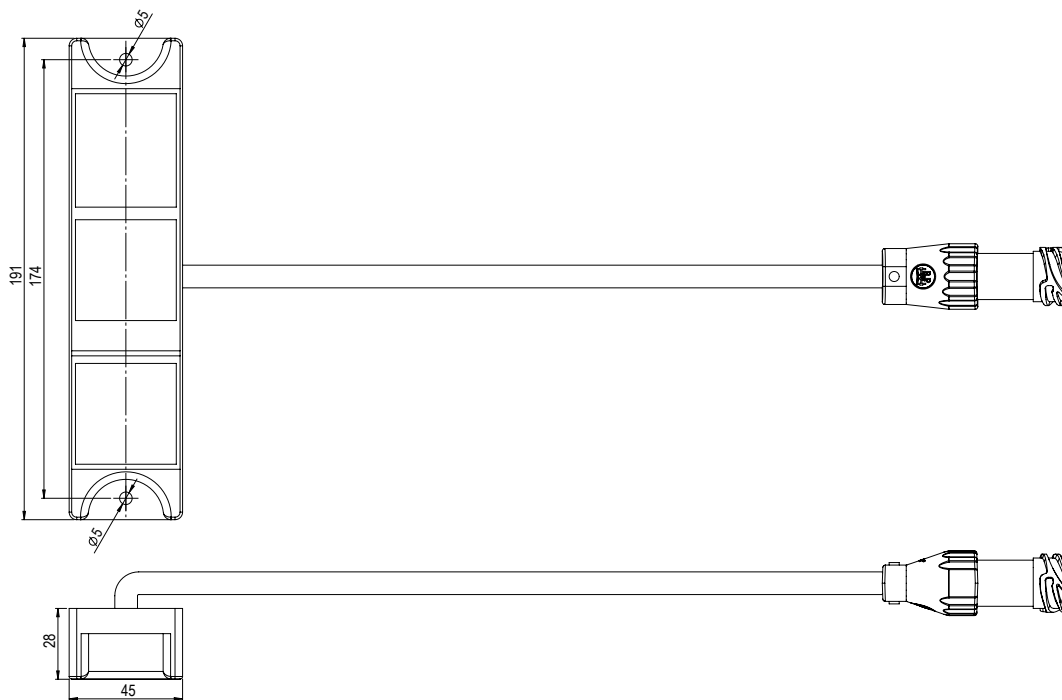
Pos. 1

With 8 red and 6 yellow SMD LED's



Pos. 2

With 8 red and 9 white SMD LED's



Description

Lens: PMMA
 Housing: ABS
 Dimension: 191 x 49-4 x 28 mm
 Bolt distance: 174 mm / Ø5
 Working temperature: -40°C - +65°C

Consumption per lighting function

Position light: 0,5W
 Direction indicator light: 1,5W
 Stop light: 1,5W
 Reverse light: 2,0W
 Rear fog light: 3,0W



Operating voltage	IP Rating	Position Stop indicator	Reverse Rear fog	Reflex reflector	Cable length	Connection	Pos.	Article No.
-------------------	-----------	-------------------------	------------------	------------------	--------------	------------	------	-------------

12/24V	IP69K	✓		✓	200 mm	7 poled AMP 1.5 socket	1	098 212 274
12/24V	IP69K		✓	✓	200 mm	7 poled AMP 1.5 socket	2	098 255 274

TM13 LED Tail light 12/24V

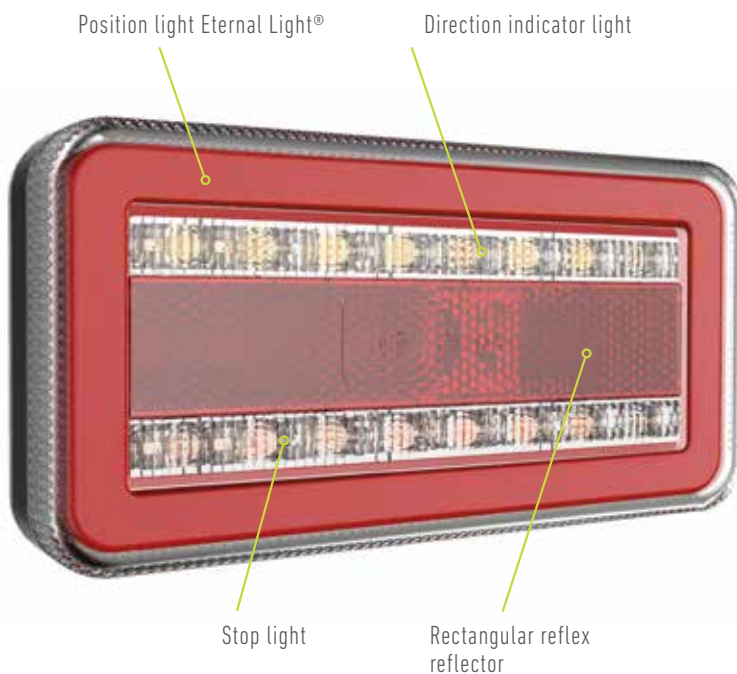
Small and slim design

The perfect solution if the installation place is limited

The new ERMAX TM13 4-functions tail light in full-LED offers highlights as small, slimline and modern design for almost any application – for trailer as well as truck.

The TM13 LED tail light is due to its compact size and its slim design all-round useable and especially suitable for narrow build-in measures.

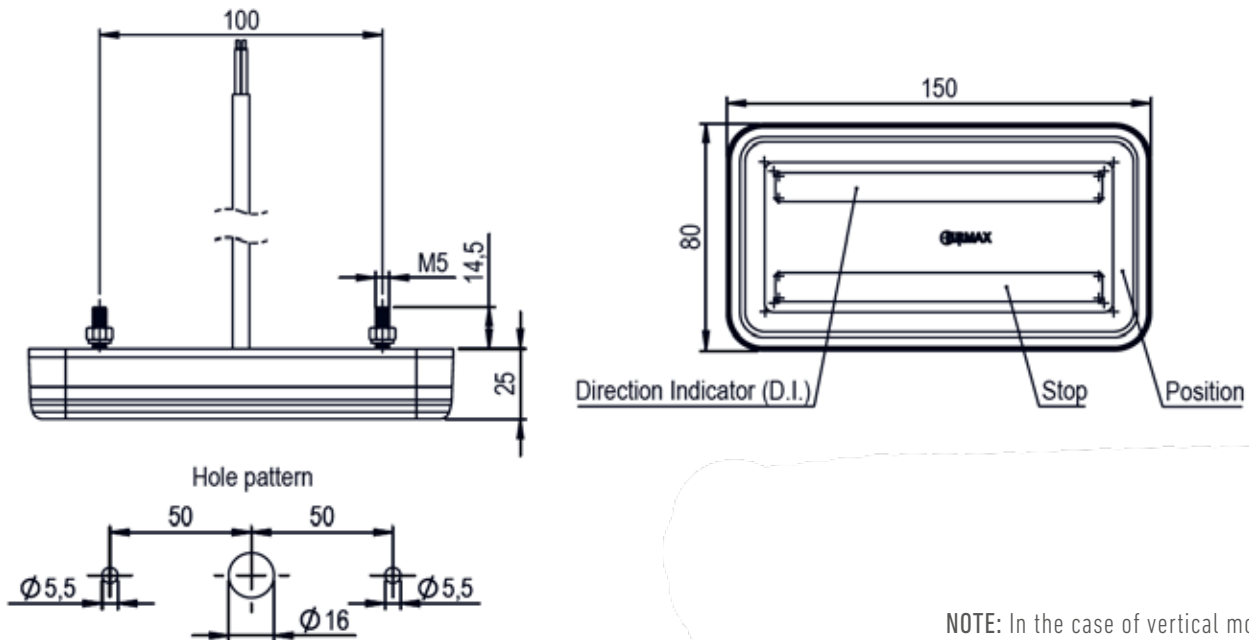
Recognizable design with Eternal Light®, newest light and LED technology and high quality are united in the ERMAX TM13 tail light – and makes the new TM13 tail light to another ERMAX innovation within lighting for heavy vehicles.



Highlights

- Applicable for trailer and truck
- Slimline-design - the perfect solution for limited build-in dimensions
- Suitable for high mounting
- ERMAX patented position light – Eternal Light®
- Compatible with the intelligent ERMAX LED failure control and the SIMAC®-control unit according to ECE 48 regulation
- Certified according to all relevant standards and regulations in Europe

TM13 LED Tail light 12/24V



NOTE: In the case of vertical mounting only, a separate legal reflector must be installed.



Description

Lens: Polycarbonate
 Housing: Polycarbonate and ABS
 Dimension: 150 x 80 x 25 mm
 Bolt distance: 100 mm / M5
 Working temperature: -40°C - +65°C
 IP Rating: IP69K

Consumption per lighting function

Position light: 1,8W
 Direction indicator light: 1,7W
 Stop light: 1,9W



Type	Operation voltage	Right → Left ←	Position Stop Dir. indicator Rectangular reflex reflector	Connection	Cable length	Article no.
LED	12/24V	→ ←	✓	Open end	300 mm cable, 4 core	098 212 170
LED	12/24V	→ ←	✓	Open end	2.500 mm cable, 4 core	098 212 171
LED	12/24V	→ ←	✓	7 poled AMP Steckdose	300 mm cable	098 212 172

TM14 LED Slim-Line Tail light 12/24V

Individual styling with TM14 Slim-line

The perfect solution for limited space

The ERMAX TM14 Slim-Line lighting series is ideal for individual modern styling of a vehicle and can be used for both surface mounting and built-in. The TM14 Slim-Line series is in full LED and offers highlights as a narrow, slim-line and modern design suitable for almost all applications – on the trailer as well as on the truck.

Due to the size and the slim design, there are many applications possibilities – especially where there are limited and narrow mounting surfaces.

The TM14 Slim-Line light can be mounted vertically, horizontally, and as high-mounted light – and fits with the various connection possibilities optimally with ERMAX' present cable system.

The stop light can also with advantage be use as high-mounted 3. stop light.



Position and / or stop light



Direct indicator light as standard or with dynamic direct indicator light

Truck styled with TM14 position lights



Highlights

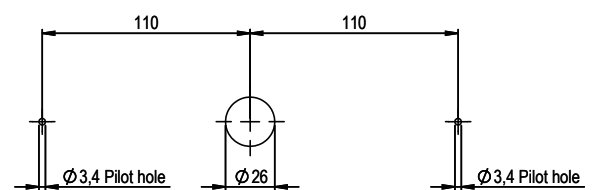
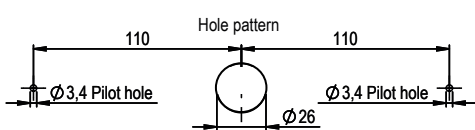
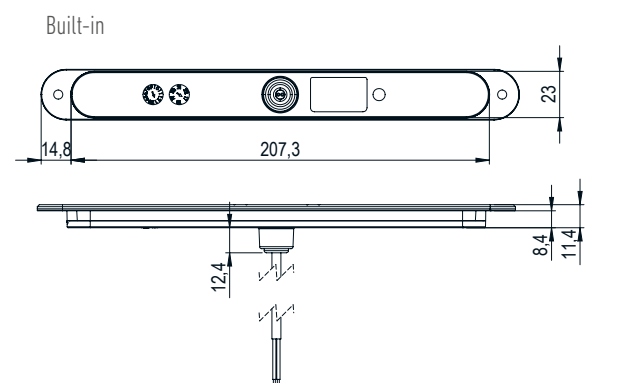
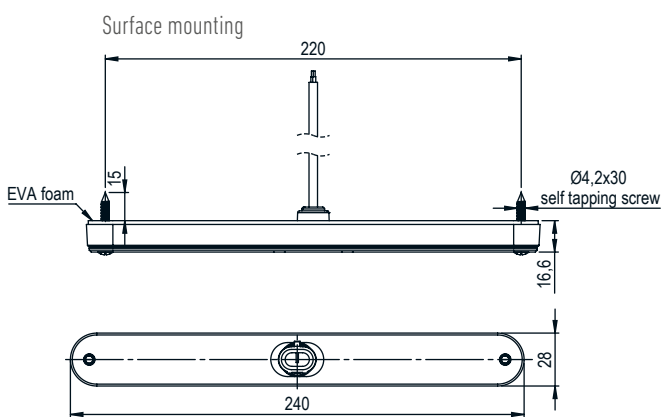
- Slim and modern design for practically any application
- Applicable for trailer and truck
- Time saving mounting with 2 poled or 3 poled Super Seal connection
- 5 m Open end versions for long wiring
- Especially suitable for vehicles with limited mounting space
- Various applications – surface mounting, built-in, horizontal and vertical mounting and as high-mounted light
- Ideal as high-mounted 3. stop light.
- Certified according to all relevant standards and regulations in Europe

TM14 LED Slim-line - Flexible and individual styling possibilities

Design the "rear end" according to needs and demands



Position of more lights underneath each other means more effect of the nice, modern and dynamic direction indicator light



Hole pattern - Open end

Hole pattern - 3-poled Super Seal plug

OBS - See all variants, connection possibilities and description on next page

TM14 LED Tail light 12/24V - Slim-line

Description

Lens:	Impact resistant polycarbonate
Housing:	Impact resistant polycarbonate
Dimension	
Surface mounting:	240 x 28 x 16,6 mm
Built-in:	207,3 x 23 x 8,4 mm
Bolt distance:	220 mm / Ø4,6
Working temperature:	-40°C til +65°C
IP Rating:	IP69K

Consumption per lighting function

Positions light:	2,4W
Direction indicator light:	1,8W
Stop light:	2,0W
Dynamic direction indicator light :	3,8W

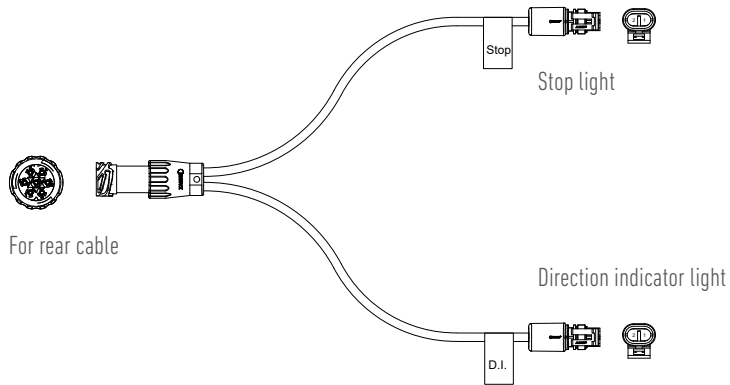
* Bi-polar connection



Operat- ingvolt- age	Right → Left ←	Position	Stop	Dir. indica- tor	Dynamic dir. indicator "NEW"	Connection	Cable length	Pin-configuration / wire color pr. function	Article no.
12/24V	→ ←	✓	✓			3 poled Super Seal socket	300 mm	1 = Ground 2 = Position light 3 = Stop light	098 212 250
12/24V	→ ←	✓	✓			Open end	5.000 mm - 3 core	Brown = Ground Blue = Position Yellow/green= Stop	098 212 252
12/24V	→ ←	✓				2 poled Super Seal socket	300 mm		098 200 250
12/24V	→ ←	✓				Open end	5.000 mm - 2 core	Brown = Ground Blue= Position light	098 200 252
12/24V	→ ←		✓			2 poled Super Seal socket	300 mm		098 203 250
12/24V	→ ←		✓			Open end	5.000 mm - 2 core	Brown = Ground Blue = Stop	098 203 252
12/24V	→ ←			✓		2 poled Super Seal socket	300 mm		098 222 250
12/24V	→ ←			✓		Open end	5.000 mm - 2 core	Brown = Ground Blue = Dir. indicatir	* 098 222 252
12/24V	→ ←				✓	2 poled Super Seal socket	300 mm		098 222 260
12/24V	→ ←				✓	Open end	5.000 mm - 2 core	Brown = Ground Blue = Dir. indicator	* 098 222 262

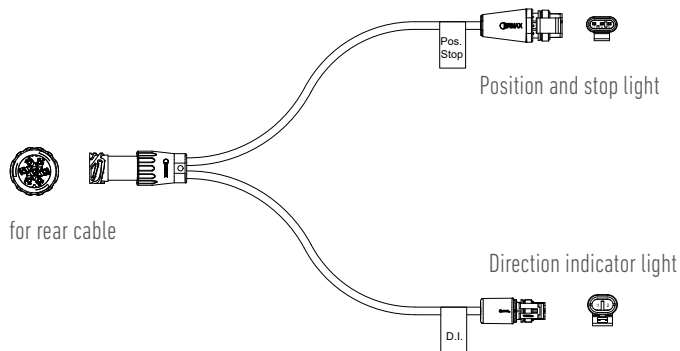
TM14 LED Tail light 12/24V - Slim-line

Accessories - Adapter cable for installation of TM14 Slim-Line to rear cable (see detailed description in the section "cables universal")



994 003 282 - Adapter cable 300 mm

7 poled AMP socket > 2 x Super Seal plug with outlet for stop- and direction indicator light



994 003 285 - Adapter cable 300 mm

7 poled AMP socket > 1 x 3 poled Super Seal plug with outlet for position and stop light + 1 x 2 poled super seal plug with outlet for direction indicator light

Compact and Slim Design - Integrated work- or reverse light

The Ermax Top light 4 functions tail light in LED and with intergrated work- or reverse light, offers as high light a small, slim and modern design for almost all application - on the trailer as well as on the truck.

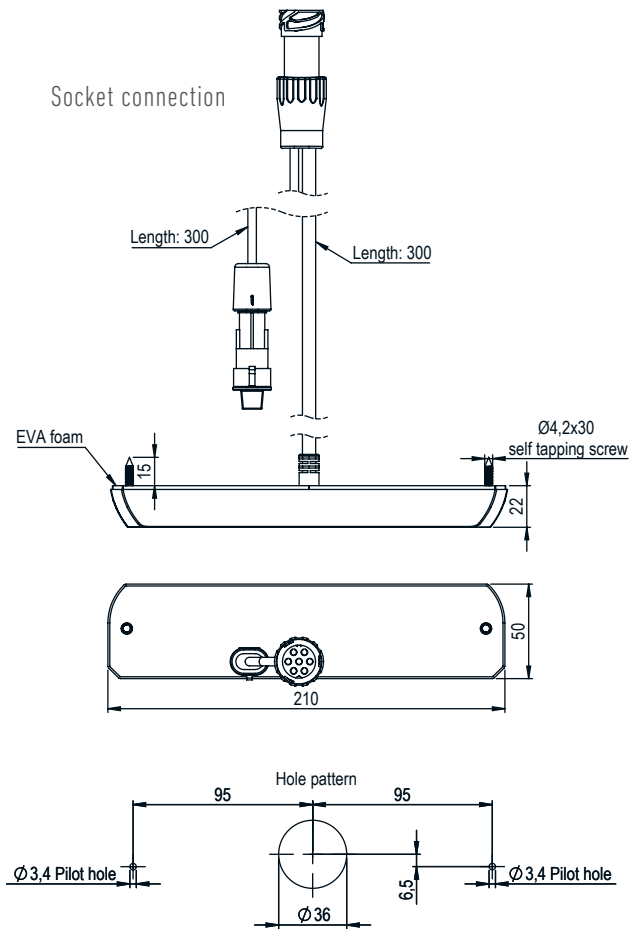
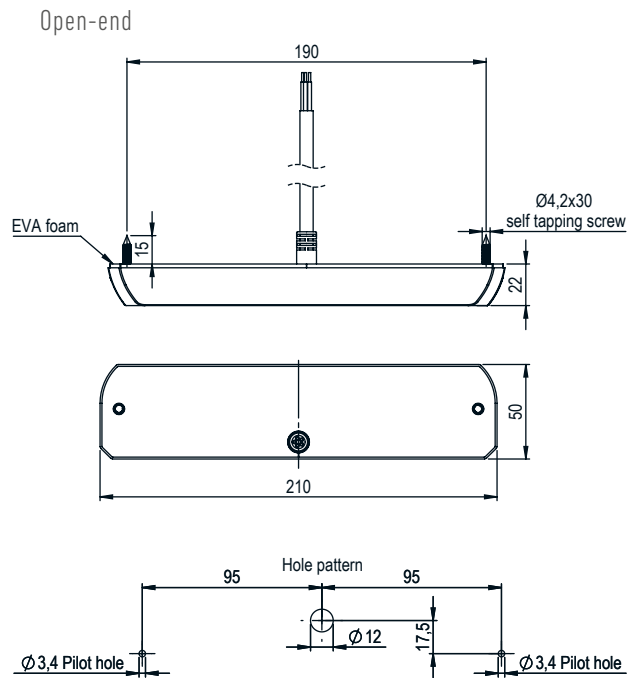
The Ermax Top light LED tail light is due to its size and slim design applicable for many purposes, especially for where there are limited and narrow mounting surfaces. High-mounted in order to use the work light function - or mounted in a height of max. 1.200 mm to use the reverse light function.



High lights

- Slim and compact design - Optimal as high-mounted tail lights
- Intergrated work- or reverse light
- Progressive direction indicator light
- Impact-resistant lens made of Polycarbonate
- Ideal as high-mounted light for use as work light in order to lighten up the work area in th rear end of the trailer or truck
- Especially suitable for vehicles with limited mounting surfaces

LED Tail light 12/24 with intergrated reverse- or work light



Connection open end:

- White = Ground
- Green = Position light
- Yellow = Progressive dir. indicator light
- Red = Stop light
- Black = Work light/ Reverse light

Description

- Lens: Impact resistant polycarbonate
- Housing: Impact resistant polycarbonate with backplate of aluminium
- Dimension: 210 x 50 x 22 mm
- Bolt distance: 190 mm / Ø4
- Working temperature: -40°C - +65°C
- IP-Rating: IP69K

Consumption per function

- Position light: 0,6W
- Stop light: 2,7W
- Progressive dir. indicator: 2,5W
- Work- / Reverse light: 10W

Obs - approved as reverse light with installation height of max. 1.200 mm



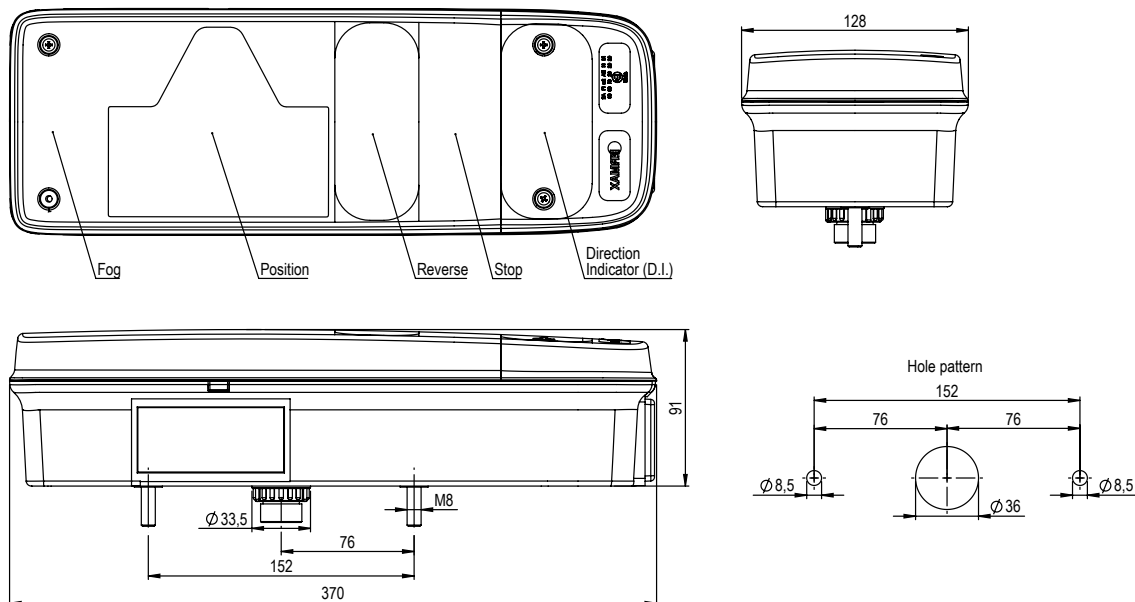
Type	Right → left ←	Position Stop Progressive dir. indicator	Work light / Reverse light * Lumen theoretical/ effektive	Connection and cable length	Article no.
LED	→	✓	950 / 730 Lumen	5.000 mm cable open end	098 212 240
LED	←	✓	950 / 730 Lumen	5.000 mm cable open end	098 212 241
LED	→	✓	950 / 730 Lumen	300 mm cable with 7 poled AMP socket 300 mm cable with 2 poled Super Seal socket	098 212 242
LED	←	✓	950 / 730 Lumen	300 mm cable with 7 poled AMP socket 300 mm cable with 2 poled Super Seal socket	098 212 243

TM2 HYBRID Tail lights 24V



Pos. 1

Pos. 2



TM2 HYBRID Variant

- Tail light TM2 Hybrid with position light as LED
- With Osram Truckstar pro HD bulb on stop, direction indicator, reverse- and rear fog light

Description

Lens:	PMMA
Housing:	PP
Dimension:	370 x 128 x 91 mm
Bolt:	M8 / AiSi 304
Bolt distance:	152 mm / M8
Working temperature:	-40°C - +65°C°

Consumption per lighting function

Position light:	2,8W
Stop light:	21,0W
Direction indicator light:	21,0W
Reverse light:	21,0W
Rear fog light:	21,0W

TM2 Tail lights 24V - HYBRID



Type	IP Rating	Left ← Right →	Position Stop Dir. indicator	Reverse Rear fog Reflex reflector	License plate	Side marker	Outer end marker	Connection 7 poled AMP 1.5 socket	Pos.	Article No.
Hybrid	IP54	←	✓	✓				✓	1	098 216 251
Hybrid	IP54	→	✓	✓				✓	1	098 216 252
Hybrid	IP54	←	✓	✓			45° Long (LED)	✓	2	098 216 265
Hybrid	IP54	→	✓	✓			45° Long (LED)	✓	2	098 216 266

Spare parts & accessories



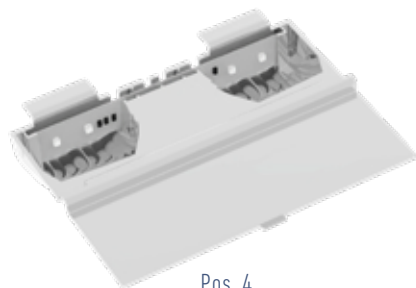
Pos. 1



Pos. 2



Pos. 3



Pos. 4

Pos. 5



Pos. 6



Lens, left, with 4 screws	1	098 296 351
Lens, right, with 4 screws	1	098 296 352
Protection cover for tail light	2	098 296 710
LED Outer and marker, left - 500 mm connection cable open end	3	098 241 427
LED Outer and marker, right - 500 mm connection cable open end	3	098 241 428
Bulb 24V 5W HD, BA15s - for position light	4	098 296 250
Bulb 24V 21W amber HD, BAU15s - with amber lens for clear direction indicator light	5	091 624 078
Bulb 24V 21W HD, BA15s - for stop- and rear fog light	6	091 624 071

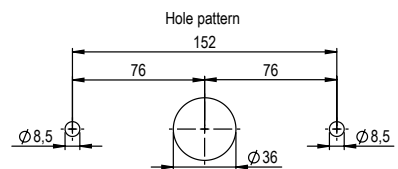
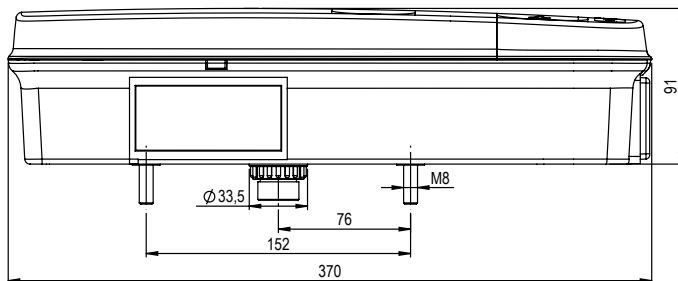
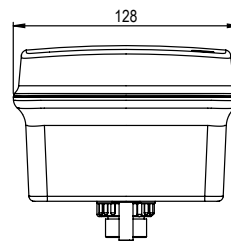
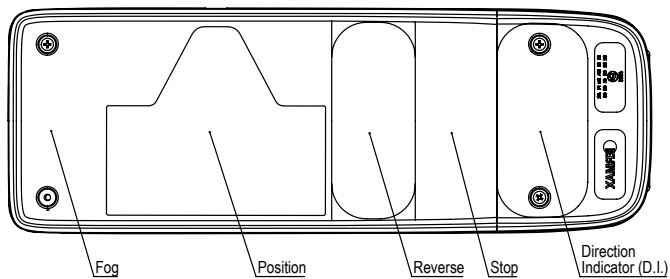
TM2 GL Tail lights bulb, 24V



Pos. 1



Pos. 2



Description

Lens:	PMMA
Housing:	PP
Dimension:	370 x 128 x 91 mm
Bolt:	M8 / AiSi 304
Bolt distance:	152 mm / M8
Working temperature:	-40°C - +65°C

Consumption per lighting function

Position light:	10,0W
Direction indicator light:	21,0W
Stop light:	21,0W
Reverse light:	21,0W
Rear fog light:	21,0W

TM2 GL Tail lights bulb, 24V



Type	IP Rating	Left ← Right →	Position Stop Dir. indicator	Reverse Rear fog Reflex reflector	License plate	Side marker	Outer end marker	Connection 7 poled AMP 1.5 socket	Pos.	Article No.
Bulb	IP54	←	✓	✓				✓	1	098 216 351
Bulb	IP54	→	✓	✓				✓	1	098 216 352
Bulb	IP54	←	✓	✓		✓		✓	1	098 216 353
Bulb	IP54	→	✓	✓		✓		✓	1	098 216 354
Bulb	IP54	←	✓	✓			45° Long (LED)	✓	2	098 216 365
Bulb	IP54	→	✓	✓			45° Long (LED)	✓	2	098 216 366

Spare parts & accessories



Pos. 1



Pos. 2



Pos. 3



Pos. 4



Pos. 5



Pos. 6

Lens, left, with 4 screws	1	098 296 351
Lens, right, with 4 screws	1	098 296 352
Protection cover for tail light	2	098 296 710
LED Outer end marker, left - 500 mm connection cable open end	3	098 241 427
LED Outer end marker, right - 500 mm connection cable open end	3	098 241 428
Bulb 24V 5W HD, BA15s - for position light	4	091 624 075
Bulb 24V 21W amber HD, BAU15s - with amber lens for clear direction indicator light	5	091 624 078
Bulb 24V 21W HD, BA15s - for stop- and rear fog light	6	091 624 071

TM1 GL - Tail lights bulb



Pos. 1



Pos. 2

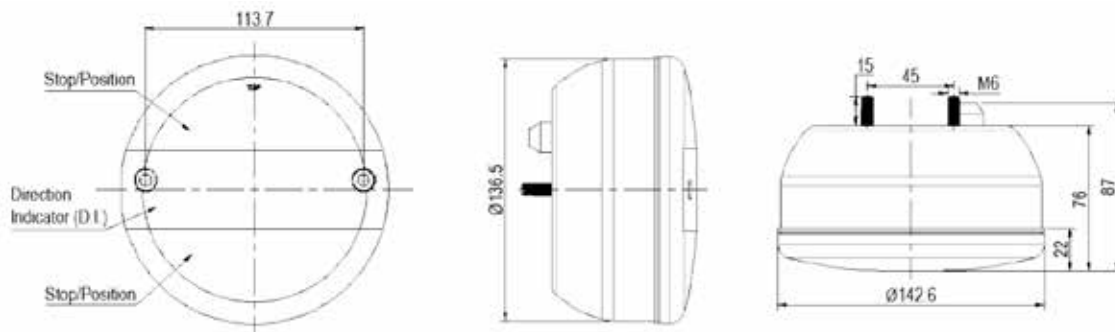


Pos. 3



Pos. 4

**) 098212354 with HD bulb *) Version with H3 bulb - have no E-Approval



Description

Tail lights bulb - Pos. 1, 3 and 4 is delivered without bulb

Lens: PMMA
 Housing: ABS
 Dimension: Ø142,6 mm x 76 mm
 Bolt distance: 45 mm / M6
 Working temperature: -40°C - +65°C

Consumption per lighting function

Position light: 5,0W
 Direction indicator light: 21,0W
 Stop light: 21,0W



Operating voltage	IP Rating	Position	Stop	Dir. indicator	Reverse	Reverse - H3 bulb	Rear fog	License plate	Connection	Pos.	Article No.
-------------------	-----------	----------	------	----------------	---------	-------------------	----------	---------------	------------	------	-------------

12/24V	IP54	✓	✓	✓					Cable lead through rubber grommet	1	098 212 352
12/24V	IP54	✓	✓	✓				✓	Cable lead through rubber grommet	1	098 212 356
12/24V	IP54	✓	✓	✓					7 poled AMP 1.5 socket	2	098 212 354**
12/24V	IP54				✓	✓			Cable lead through rubber grommet	3	098 256 040*
12/24V	IP54						✓		Cable lead through rubber grommet	4	098 256 050

Spare parts TM1 GL - Tail lights bulb



Pos. 1



Pos. 2



Pos. 3



Pos. 4



Pos. 5



Pos. 6



Pos. 7

Lens for position light with 2 screws and 1 sealing Suitable for 098 212 352 / 356 / 351	1	098 292 354
Lens, transparent for reverse light Suitable for 098 256 040	2	098 292 242
Chrome ring and built-in kit	3	098 292 360
Protection cover for reverse light	4	098 296 720
Bulb 24V 5W HD BA15s - for position light	5	091 624 075
Bulb 24V 21W HD BA15s - for stop- and rear fog	6	091 624 071
Halogen headlight H3, bulb 24V 70W H3, PK22s	7	091 324 003

License plate light



LED License plate light 12/24V



Pos. 1

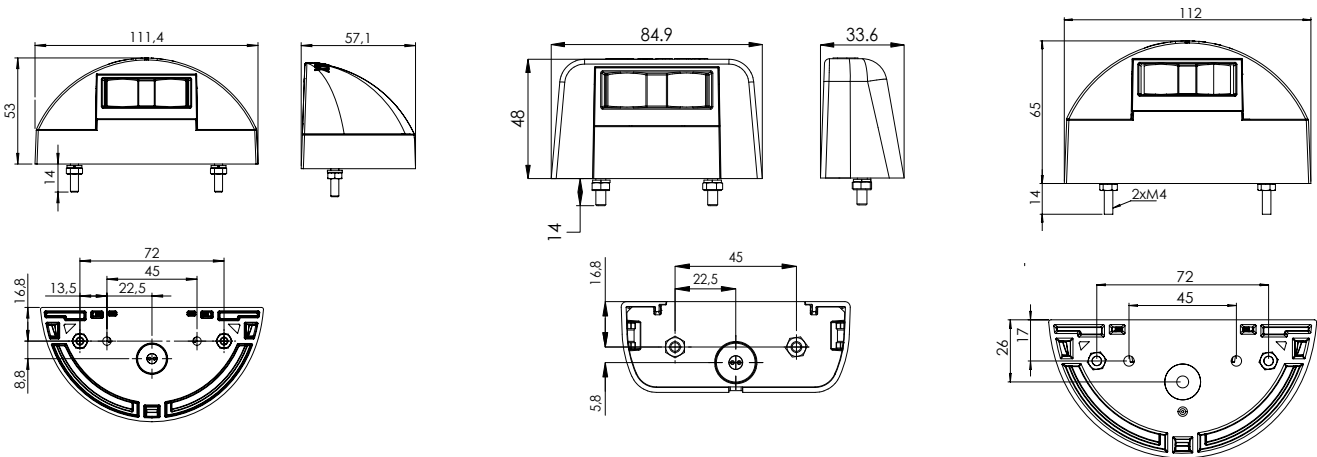


Pos. 2

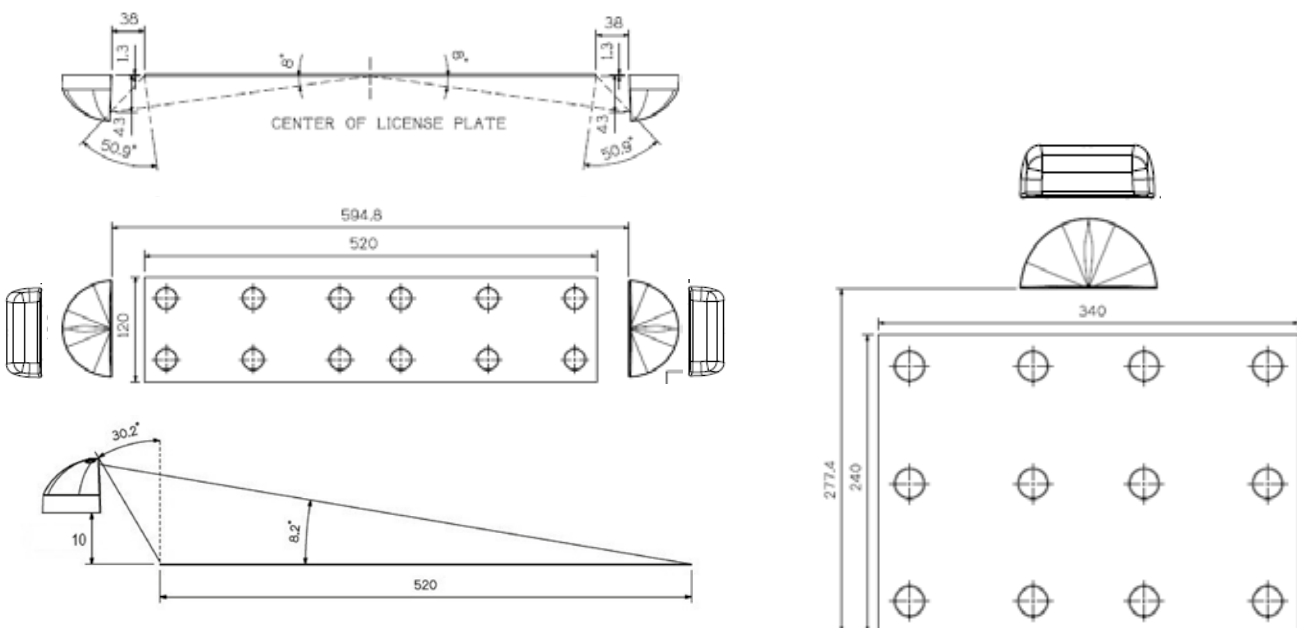


Pos. 3

High version



All 3 types are Certified for the application as shown:



LED License plate light 12/24V

Description

Lens: PMMA
 Housing: ABS

Half-round design

Dimension: 112 x 57 x 53 mm
 Bolt distance: 45 mm or 72 mm / M4

Square design

Dimension: 85 x 34 x 48 mm
 Bolt distance: 45 mm / M4

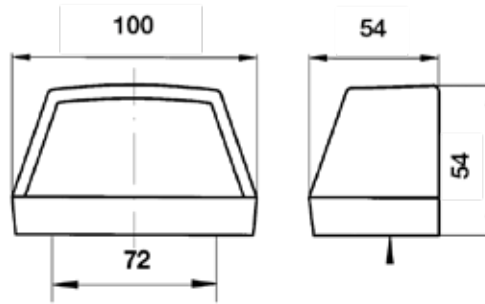


Operating voltage	IP Rating	Connection	Cable length	Bolt hole distance	LED	Pos.	Article No.
12/24V	IP69K	Click-in 1,5 mm ²	500 mm	45 / 72 mm	2	1	098 254 330
12/24V	IP69K	Click-in 1,5 mm ²	500 mm	45 mm	2	2	098 254 340
12/24V	IP69K	Click-in 1,5 mm ²	1.500 mm	45 / 72 mm	2	1	098 254 332
12/24V	IP69K	Click-in 1,5 mm ²	1.500 mm	45 mm	2	2	098 254 342
12/24V	IP69K	Super Seal Steckkdose	500 mm	45 / 72 mm	2	1	098 254 334
12/24V	IP69K	Super Seal Steckkdose	500 mm	45 mm	2	2	098 254 344
12/24V	IP69K	Super Seal plug	1.200 mm	45 / 72 mm	2	1	098 254 335
12/24V	IP69K	Super Seal plug	1.200 mm	45 mm	2	2	098 254 345
12/24V	IP69K	Super Seal plug	2.000 mm	45 / 72 mm	2	1	098 254 350
12/24V	IP69K	Open end	2.500 mm	45 / 72 mm	2	1	098 254 336
12/24V	IP69K	Open end	7.000 mm	45 / 72 mm	2	1	098 254 337
12/24V	IP69K	Open end	2.500 mm	45 mm	2	2	098 254 346

High version

12/24V	IP69K	Click-in 1,5 mm ²	1.500 mm	45 / 72 mm	2	3	098 254 352
12/24V	IP69K	Super Seal plug	1.200 mm	45 / 72 mm	2	3	098 254 355

LED License plate light 12/24V



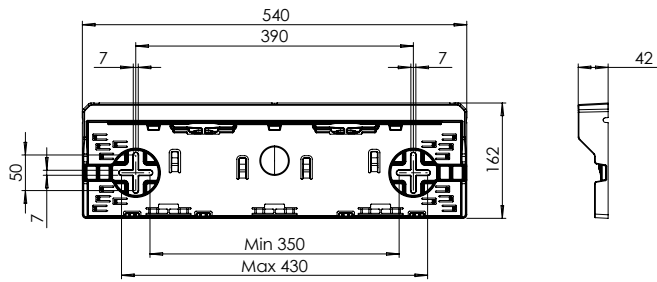
Description

Lens: PMMA
 Housing: ABS
 Dimension: 100 x 54 x 54 mm
 Bolt distance: 72 mm / M4



Operating voltage	IP Rating	Light source	Connection	Cable length	Bolt distance	Article no.
24V	IP67	LED	Cable lead through rubber grommet	---	72 mm	098 254 167
24V	IP67	LED	Click-In	500 mm	72 mm	098 254 251

License plate frame LED 12/24V – with LED lighting from above



Description

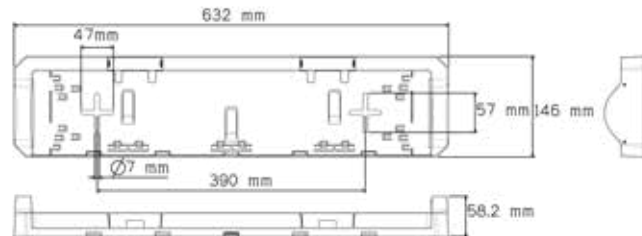
Dimensions: L x B x H: 540 x 162 x 42 mm
 Bolt distance: 390 mm / Ø7 mm
 Material: Schwarz ABS
 Consumption: 0,56W
 IP Rating: IP69K

With quick-release fastener for easy license plate replacement – especially suitable for countries where two license plates are required.



Voltage	Light source	Connection	Cable length	Bolt distance	ADR	Article No.
12/24V	LED	Super-Seal plug	1.500 mm	390 mm / Ø7		098 254 405

LED license plate frame 24V - Integrated lighting on both sides



Description

Dimensions: L x B x H: 625 x 145 x 55 mm
 Bolt distance: 445-535 mm / Ø7 mm
 Material: Black ABS
 Consumption: 0,8W



Voltage	Connection	Cable length	Bolt distance	ADR	Article No.
24V	Click-In	500 mm	445-535 mm / Ø7		098 254 324
24V	Super-Seal plug	1800 mm	445-535 mm / Ø7		098 254 326

Spare parts

Clips for license plate carrier. 2 clips are needed for each license plate carrier.	098 292 300
---	-------------

Outer end marker light



LED Outer end marker light (45°) 12/24V

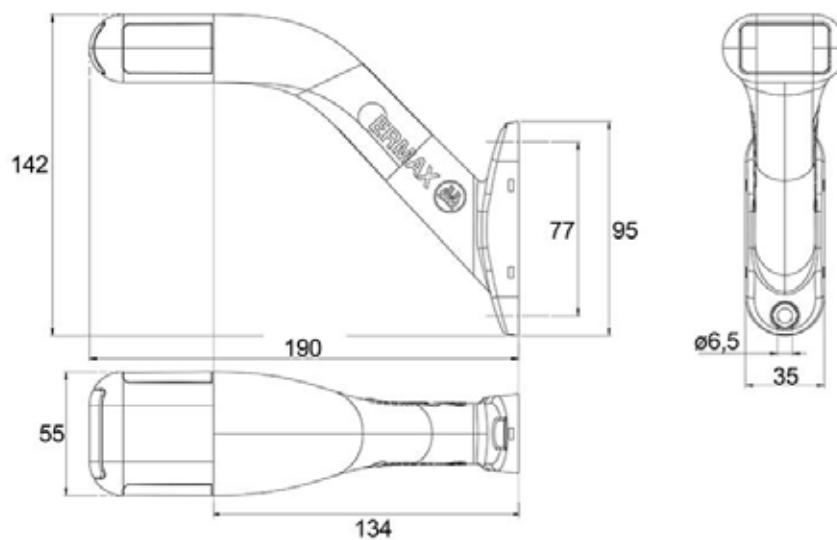


Pos. 1



Pos. 2

Possibility of having the cable at the side of the mounting foot



Description

With clear lens - lighting red, amber and white

Lens:	Impact resistant polycarbonate
Housing:	Rubber
Bolt distance:	77 mm / Ø 6,5
Working temperature:	-40°C - +65°C

LED Outer end marker light (45°) 12/24V



Left ← Right →	Operating voltage	IP Rating	Connection	Cable length	Light colour	Pos.	Article No.
←	12/24V	IP69K	Click-in 1,5 mm ²	1.500 mm	red / white / amber	1	098 241 422
→	12/24V	IP69K	Click-in 1,5 mm ²	1.500 mm	red / white / amber	1	098 241 423
←	12/24V	IP69K	Super Seal socket	1.500 mm	red / white / amber	1	098 241 425
→	12/24V	IP69K	Super Seal socket	1.500 mm	red / white / amber	1	098 241 426
←	12/24V	IP69K	Open end	1.500 mm	red / white / amber	1	098 241 427
→	12/24V	IP69K	Open end	1.500 mm	red / white / amber	1	098 241 428
←	12/24V	IP69K	Open end	5.000 mm	red / white / amber	1	098 241 429
→	12/24V	IP69K	Open end	5.000 mm	red / white / amber	1	098 241 430
→	12/24V	IP69K	Super Seal plug	300 mm	red / white / amber	1	098 241 448
←	12/24V	IP69K	Super Seal plug	300 mm	red / white / amber	1	098 241 449



Suitable for mounting on flat surfaces, with the possibility of having the cable at the side of the mounting foot. Also there is the possibility to connect the outer end marker to the tail lights or the rear cable with Super Seal connection

→	12/24V	IP69K	Super Seal plug	300 mm	red / white / amber	2	098 241 438
←	12/24V	IP69K	Super Seal plug	300 mm	red / white / amber	2	098 241 439

LED Outer end marker light 12/24V



Description

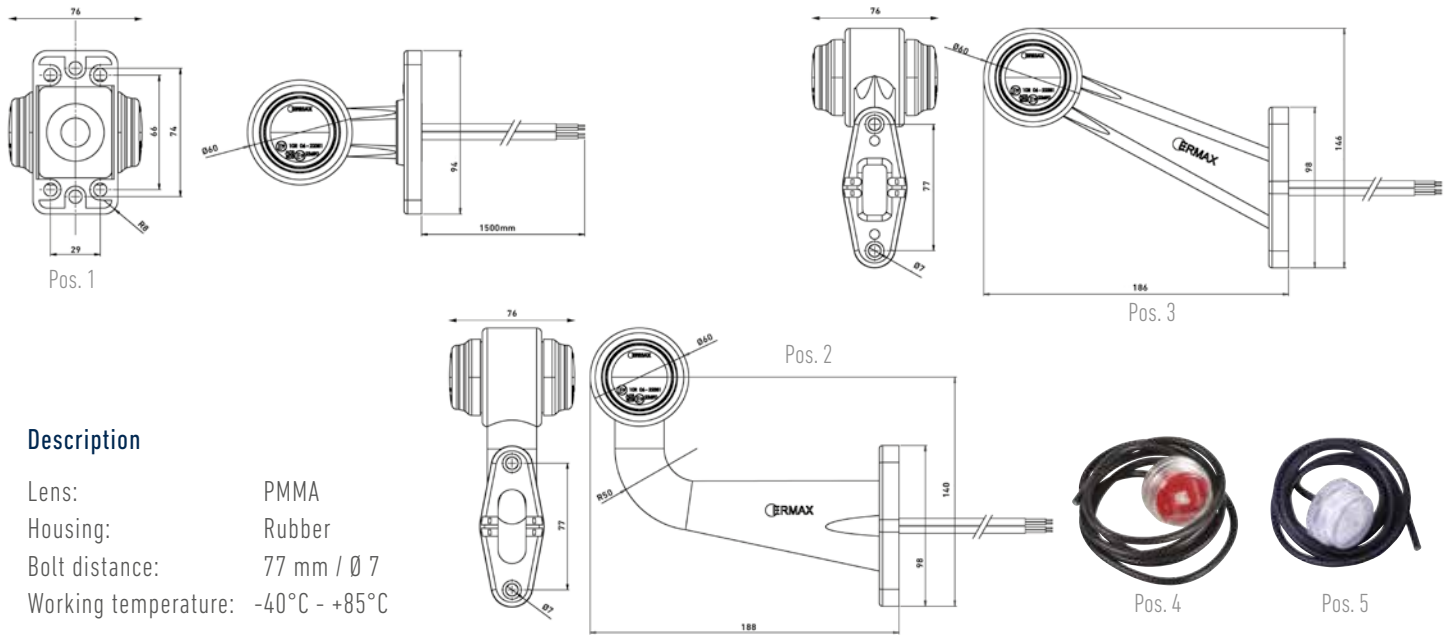
With clear lens - lighting red, amber and white

Lens: Impact resistant polycarbonat
 Housing: Rubber
 Bolt distance: 77 mm / Ø 6,5
 Working temperature: -40°C - +85°C



Left ← Right →	Operating voltage	IP Rating	Connection	Cable length	Light colour	Article No.
← →	12/24V	IP69K	Super Seal socket	500 mm	red / white / amber	098 241 205
← →	12/24V	IP69K	Super Seal socket	1.500 mm	red / white / amber	098 241 215
← →	12/24V	IP69K	Click-in 1,5 mm ²	1.500 mm	red / white / amber	098 241 211
← →	12/24V	IP69K	Open end	1.500 mm	red / white / amber	098 241 216
← →	12/24V	IP69K	Open end	5.000 mm	red / white / amber	098 241 217
← →	12/24V	IP69K	Super Seal plug	300 mm	red / white / amber	098 241 218
← →	12/24V	IP69K	Super Seal plug	1700 mm	red / white / amber	098 241 219

LED Outer end marker light 12/24V - Classic 1



Description

Lens: PMMA
 Housing: Rubber
 Bolt distance: 77 mm / Ø 7
 Working temperature: -40°C - +85°C
 1 impact resistant LED units per light



Left ← Right →	Operating voltage	IP Rating	Connection	Cable length	Light source	Light color	Pos.	Article no.
← →	12/24V	IP69K	Super Seal socket	500 mm	1 LED	red / white	1	098 241 005
← →	12/24V	IP69K	Open end	1.500 mm	1 LED	red / white	1	098 241 000
← →	12/24V	IP69K	Open end	1.500 mm	1 LED	red / white	2	098 241 050
← →	12/24V	IP69K	Super Seal socket	500 mm	1 LED	red / white	2	098 241 055
← →	12/24V	IP69K	Super Seal plug	300 mm	1 LED	red / white	2	098 241 056
← →	12/24V	IP69K	Open end	1.500 mm	1 LED	red / white	3	098 241 090

Spare parts

LED - red unit with 1.250 mm connection cable	4	098 291 001
LED - clear unit with 1.250 mm connection cable	5	098 291 000

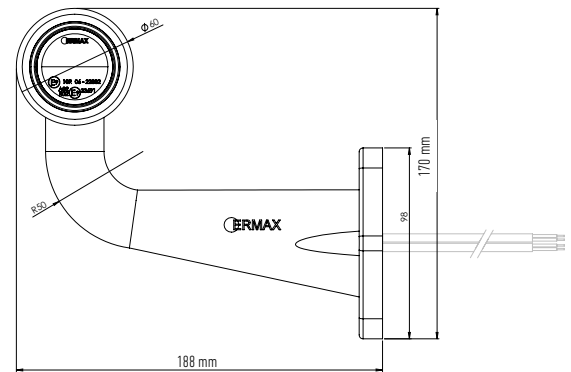
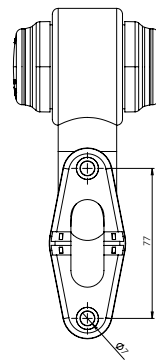
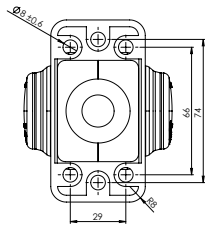
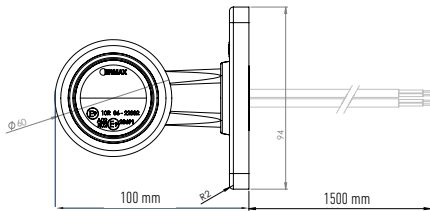
Outer end marker light LED 12/24V - Classic 2



Pos. 1



Pos. 2



Description

- Lens: PMMA
- Housing: Rubber
- Bolt distance Pos 1: 74 mm / 2 x Ø7 + 66 mm / 4 x Ø7
- Bolt distance Pos 2: 77 mm / 2 x Ø7
- Working temperature: -40°C - +85°C

2 impact resistance LED units per light



Left ← Right →	Light source	IP Rating	Operating voltage	Connection	Cable length	Light color	Pos.	Article no.
-------------------	--------------	-----------	-------------------	------------	--------------	-------------	------	-------------

← →	LED	IP69K	12/24V	Open end	1500 mm	red / white	1	098 241 600
← →	LED	IP69K	12/24V	Open end	1500 mm	red / white	2	098 241 650

Spare parts

Rubber grommet for 098 241 014	4	098 291 119
LED unit, red	5	098 291 031
LED unit, white	6	098 291 030

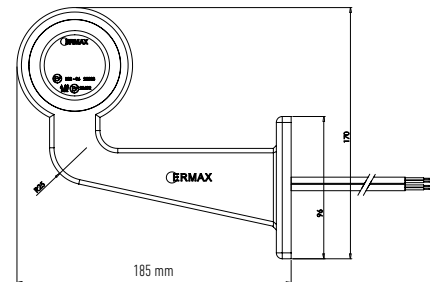
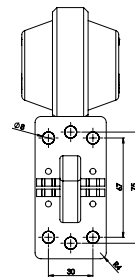
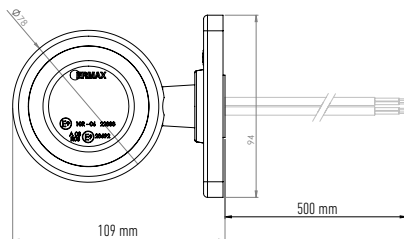
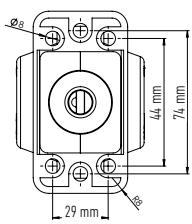
Outer end marker light / Direction indicator light LED 12/24V - Classic XL



Pos 1



Pos 2



Description

Lens: PMMA
 Housing: Rubber
 Bolt distance Pos 1: 74 mm / 2 x Ø8 + 64 mm / 4 x Ø8
 Bolt distance Pos 2: 75 mm / 2 x Ø8 + 67 mm / 4 x Ø
 Working temperature: -40°C - +85°C



Pos. 5



Pos. 6



Pos. 7

2 variants - short straight variant (possible to turn 360°) - angled variant 45°
 2 impact resistant LED units in each outer end marker light - 6 LEDs per LED unit



Left ← Right →	Light source	IP Rating	Operating voltage	Connection	Cable length	Light color	Pos	Article no.
← →	LED	IP69K	12/24V	Open end	500 mm	red / white	1	098 241 800
← →	LED	IP69K	12/24V	Open end	2500 mm	red / white	1	098 241 802
← →	LED	IP69K	12/24V	Super Seal plug	500 mm	red / white	1	098 241 805
← →	LED	IP69K	12/24V	Open end	500 mm	red / white	2	098 241 850
← →	LED	IP69K	12/24V	Open end	2500 mm	red / white	2	098 241 852
← →	LED	IP69K	12/24V	Super Seal plug	500	red / white	2	098 241 855

Spare parts

LED unit, red (outer end marker light)	5	098 291 041
LED unit, white (outer end marker light)	6	098 291 040
Rubber grommet for 098 221 076	7	098 291 119

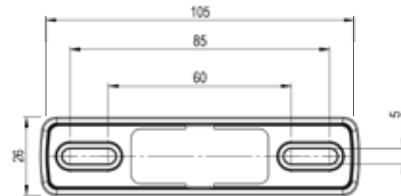
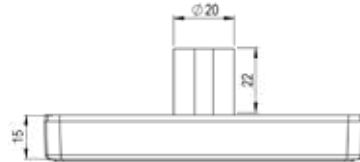
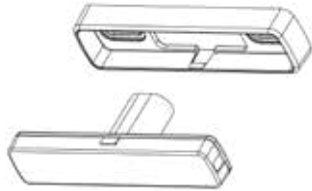
Position- & side markers



LED Side marker - 12/24V



Standard frame - with Super Seal socket



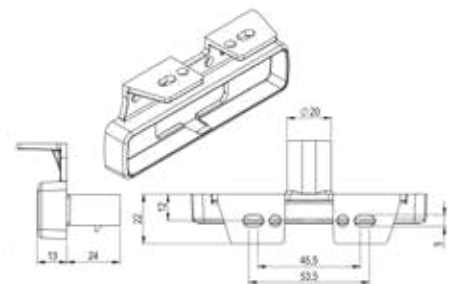
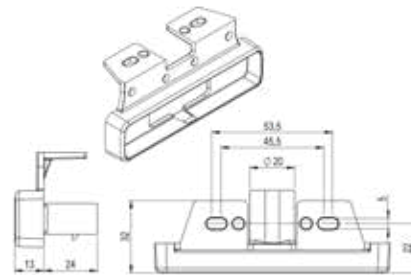
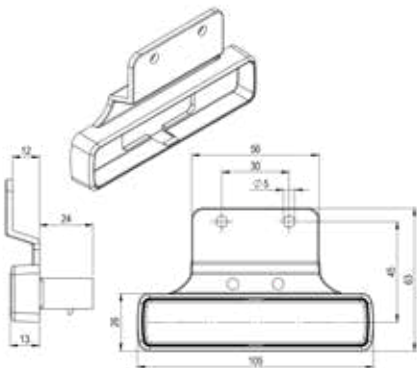
Mounting bracket straight



Backwards 90°



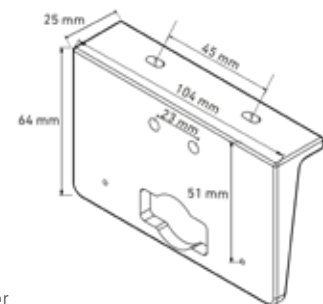
Forwards 90°




- Mounting without visible screws
- 2 LED
- 4 Mounting variants
- 3 cable versions



Universal Rubber holder



Description

LED Side marker- and position light.
2 LED and with reflex reflector.

Lens:	PMMA
Housing:	ABS
Frame:	PP
Dimension:	B105 x H26 x T13 mm (standard frame)
Variable hole distance:	60-85 mm
IP Rating:	IP69K

LED Side marker - 12/24V

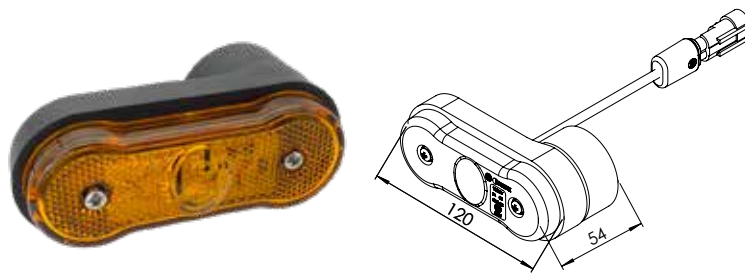
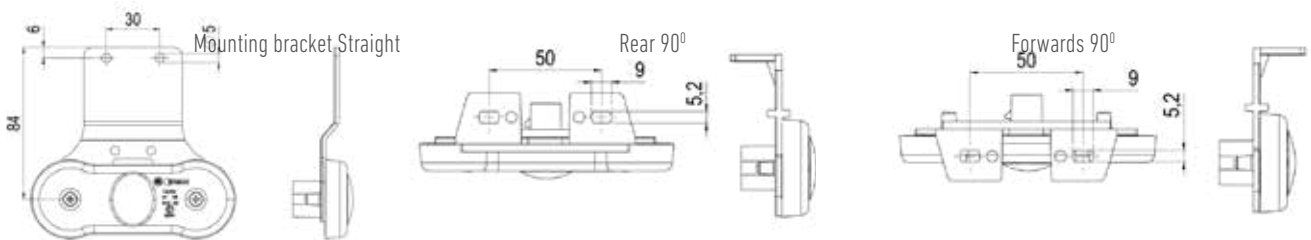
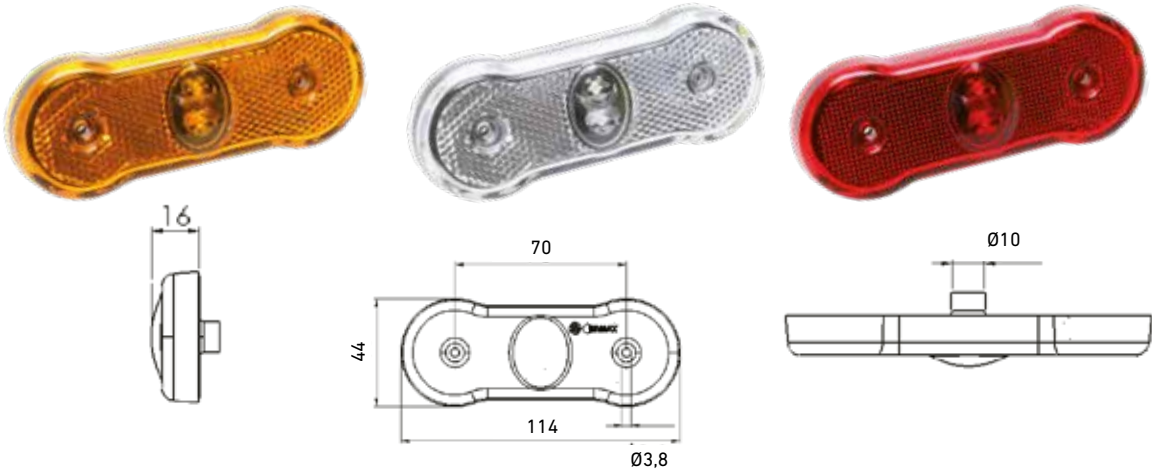


Mounting bracket	Connection	Cable length	Operating voltage	Side marker amber	Position lights White	Position lights Red
Standard frame	Super Seal socket	---	12/24V	098 221 726	098 230 726	098 204 726
Straight	Super Seal socket	----	12/24V	098 221 742		
90° bracket backwards	Super Seal socket	----	12/24V	098 221 748		
90° bracket forwards	Super Seal socket	----	12/24V	098 221 756		
Standard frame	Super Seal socket	500 mm	12/24V	098 221 727		
90° bracket backwards	Super Seal socket	1.500 mm	12/24V	098 221 745		
Standard frame	Super Seal plug	2.500 mm	12/24V		098 230 728	
Standard frame	Super Seal plug	5.000 mm	12/24V		098 230 736	
Standard frame	Click-in	500 mm	12/24V	098 221 720	098 230 720	098 204 720
Standard frame	Click-in	1.500 mm	12/24V	098 221 722	098 230 722	098 204 722
Standard frame	Click-in	5.000 mm	12/24V	098 221 724	098 230 724	098 204 724
Straight mounting bracket	Click-in	1.500 mm	12/24V	098 221 740		
90° bracket backwards	Click-in	500 mm	12/24V	098 221 744		
90° bracket backwards	Click-in	1.500 mm	12/24V	098 221 746		
90° bracket forwards	Click-in	500 mm	12/24V	098 221 752		
90° bracket forwards	Click-in	1.500 mm	12/24V	098 221 754		
Standard frame	Open end	500 mm	12/24V	098 221 730		
Standard frame	Open end	2.500 mm	12/24V	098 221 732	098 230 732	098 204 732
Standard frame	Open end	5.000 mm	12/24V	098 221 734	098 230 734	098 204 734
Standard Rahmen	Super Seal Stecker	5.000 mm	12/24V		098 230 736	

Spare parts

Standard frame	098 292 700
Mounting bracket, straight, hole distance 30 mm	098 292 701
Mounting bracket - 90° bracket backwards, hole distance 30-55 mm	098 292 702
Mounting bracket - 90° bracket forwards, hole distance 30-55 mm	098 292 703
Universal rubber holder- 90° bracket backwards, hole distance 45-55 mm	098 292 629

LED Side marker - 12/24V



Description

LED Side marker- and position light

2 LEDs and with reflex reflector.

Mounting screw with Ø4 must be used.

Lens: PMMA

Housing: ABS

Frame: PP

Dimension: B114 x H44 x T16 mm

Hole distance: 70 mm

IP Rating: IP69K

LED Side marker - 12/24V



Mounting bracket	Connection	Cable length	Operating voltage	Side marker amber	Position lights White	Position lights Red
Without mounting bracket	Super Seal socket	- - -	12/24V	098 221 620	098 230 401	098 204 501
Straight mounting bracket	Super Seal socket	- - -	12/24V	098 221 630		
90° bracket backwards	Super Seal socket	- - -	12/24V	098 221 640	098 230 430	
90° bracket forwards	Super Seal socket	- - -	12/24V	098 221 650		
Without mounting bracket	Super Seal socket	500 mm	12/24V	098 221 635		
Without mounting bracket	Super Seal socket	1.500 mm	12/24V	098 221 628	098 230 428	
90° bracket forwards	Super Seal socket	1.500 mm	12/24V	098 221 664		
90° bracket backwards	Super Seal socket	1.500 mm	12/24V	098 221 662		
Without mounting bracket	Super Seal plug	2.500 mm	12/24V		098 230 418	
Without mounting bracket	Super Seal plug	5.000 mm	12/24V	098 221 627		
Without mounting bracket	Super Seal plug	10.000 mm	12/24V	098 221 629	098 230 431	
Without mounting bracket	Click-in	500 mm	12/24V	098 221 621	098 230 405	098 204 502
Without mounting bracket	Click-in	1.500 mm	12/24V	098 221 622	098 230 415	098 204 503
Without mounting bracket	Click-in	5.000 mm	12/24V	098 221 623	098 230 450	098 204 504
Straight mounting bracket	Click-in	500 mm	12/24V	098 221 631		
90° bracket backwards	Click-in	500 mm	12/24V	098 221 641		
90° bracket backwards	Click-in	1.500 mm	12/24V	098 221 642		
90° bracket forwards	Click-in	500 mm	12/24V	098 221 651		
90° bracket forwards	Click-in	1.500 mm	12/24V	098 221 652		
Without mounting bracket	Open end	500 mm	12/24V	098 221 624	098 230 420	098 204 505
Without mounting bracket	Open end	1.500 mm	12/24V	098 221 625	098 230 425	
Without mounting bracket	Open end	5.000 mm	12/24V	098 221 626	098 230 427	098 204 507
Rubber bracket fore Ø42 tube	Super Seal socket	1.500 mm	12/24V	098 221 666		

Spare parts LED Side marker - 12/24V



Pos. 1 - Straight



Pos. 2 - Rear 90°



Pos. 3 - Forwards 90°



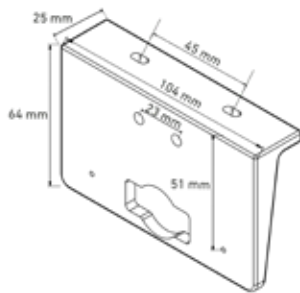
Pos. 4



Pos. 5



Pos. 6



Pos. 7



Example in which the side marker light is mounted on a rubber bracket

Mounting bracket, straight, bolt distance 30 mm	1	098 292 622
Mounting bracket - 90° bracket backwards,, bolt distance 30-55 mm	2	098 292 620
Mounting bracket - 90° bracket forwards, bolt distance 30-55 mm	3	098 292 621
Gasket - 10 pcs packing unit, black rubber	4	098 292 626
Rivet - 20 pcs packing unit, black plastic, Ø4 mm	5	098 291 602
Rivet - 100 pcs packing unit, black plastic, Ø4 mm	5	098 291 610
Mounting bracket, rubber, for mudwingholders. Usable with Ermax sider marker light	6	098 292 627
Universal rubber bracket - 90° bracket backwards, bolt distance 45-55 mm	7	098 292 629

LED Strips - Exterior



LED Strips for ECE approved marker light functions

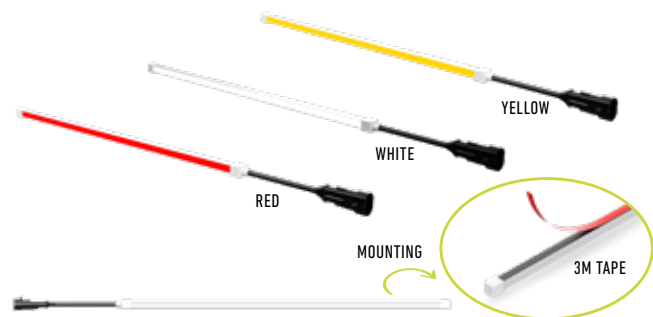
Improve the safety and design of the vehicle

LED strips with a modern design represent the latest innovation in vehicle lighting, where aesthetics are just as crucial as safety. The new system from Ermax offers multiple functions and features a plug-and-play solution for effortless installation. These LED strips are crafted for high quality and reliability, providing uniform light emission.

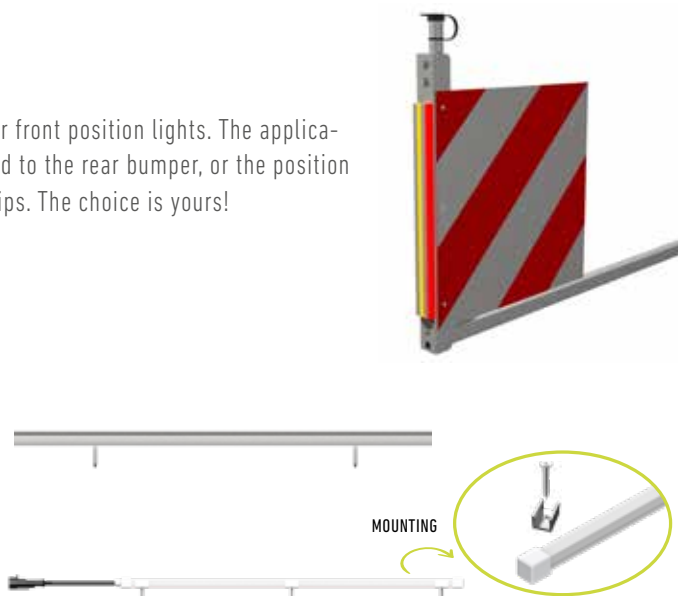


Customize your trailer with our versatile LED strips solutions.

The LED strips are available as side marker lights, rear position lights or front position lights. The application possibilities are vast; for instance, a continuous stripe can be added to the rear bumper, or the position lights on warning signs can be replaced with short marker light LED strips. The choice is yours!



Connection with Super Seal socket



Installation using aluminum clips or profiles.

Innovative lighting combined with exceptional design

Innovative lighting experience

LED strips deliver consistent and impressive light and are available in the ECE approved colours.

Enhanced Safety

Increased visibility with a wide lighting area for position lights and side marker lights.

Illumination

Featuring Eternal Light technology for uniform light emission and a sleek, cool design.

Easy installation

The LED strips are highly flexible, making them simple to install with less connections than individual lights. They can be mounted using aluminum clips or profiles.

Durable design

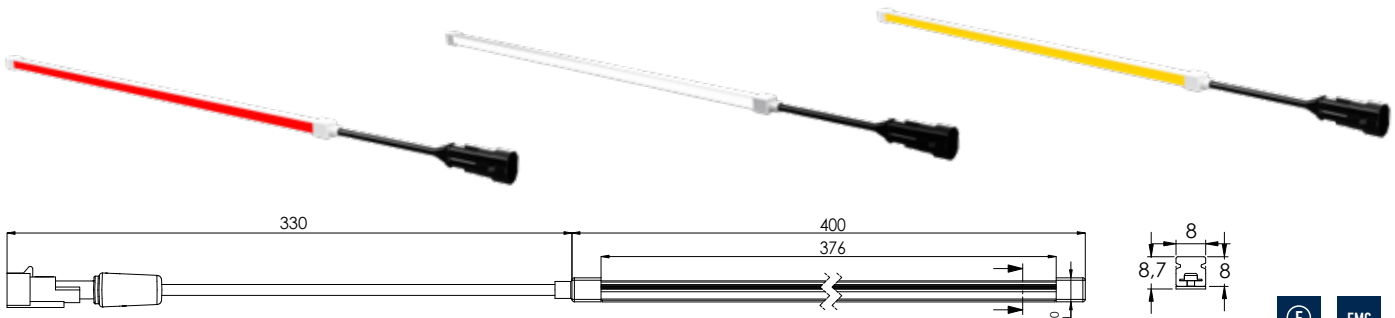
Highly robust and extreme flexible. Vibration, and shock resistant.

Approved quality

All strips are EMC and ADR approved. The light functions are ECE approved and can be homologated by correct installation.

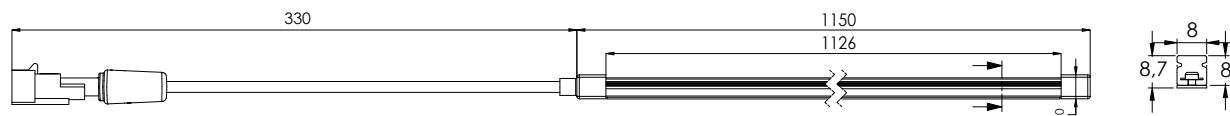
LED Strips

Technical details and dimensions



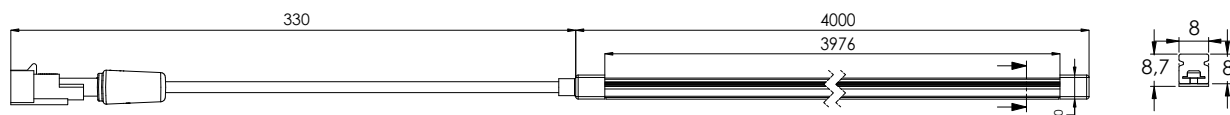
Voltage	IP-Rating	Description	Colour	Measure Length x width x height	ECE	Connection	Artikel-No..
24V	IP67	LED Strip - rear position light	Red	400 x 8 x 8 mm	R7	Super Seal socket with 300 mm cable	098 204 000
24V	IP67	LED Strip - side marker light	Yellow	400 x 8 x 8 mm	R91	Super Seal socket with 300 mm cable	098 221 000
24V	IP67	LED Strip - front position light	White	400 x 8 x 8 mm	R7	Super Seal socket with 300 mm cable	098 230 000

Approved for horizontal and vertical installation.



24V	IP67	LED Strip - rear position light	Red	1.150 x 8 x 8 mm	R7	Super Seal socket with 300 mm cable	098 204 010
-----	------	---------------------------------	-----	------------------	----	-------------------------------------	-------------

Approved for vertical installation only



24V	IP67	LED Strip - sidemarker light	Yellow	4.000 x 8 x 8 mm	R91	Super Seal socket with 300 mm cable	098 221 040
-----	------	------------------------------	--------	------------------	-----	-------------------------------------	-------------

Approved for vertical installation only



Description	Measure Length x width x height	Screw diameter	Artikel-No.
Aluminum clips for LED Strip	15 x 10,5 x 8,5 mm	Ø3.0 mm	098 292 000
Aluminum profile for LED Strip	1.000 x 10,5 x 8,5 mm	Ø3.0 mm	098 292 001
Aluminum profile for LED Strip	1.150 x 10,5 x 8,5 mm	Ø3.0 mm	098 292 003

Rear underrun protection bar



The strong solution at the market

Individually adapted for optimal use

Certified production

In Denmark, ERMAX assembles the complete rear underrun protection bar solutions at own production facilities in Denmark according to the "Kraftfahr Bundesamt" certified "Conformity of Production". Each variant of the rear underrun protection bar is individually adapted. This ensures optimal positioning of the lights and perfect cable structure. This saves weight and increases the life time of the components, makes installation easier and at the same time guarantees a short and reliable delivery time.

Highlights

- Connection via one interface and 8 T-bolts
- Fully anodized rear underrun protection bar - can also be laquered
- Integration of
 - LED failure control on direct indicator and stop light
 - SIMAC® control
 - Junction box
- Certified according to all relevant standards (ECE R58 Rev. 02 or ECE 58 Rev. 03) and regulations in Europe
- Weight optimized
- TM5, TM10, TM11, TM16 and TM17 with impact resistant lens made of polycarbonate



High-quality Design - various applications

ERMAX produces two different rear underrun protection bar profiles - one with the approval according to ECE R58-02 and one according to the new regulation ECE R58-03. The versions of the ERMAX rear underrun protection bar consist of five design variants.

The different versions are available with the following options: LED failure control, SIMAC control (flashing side marker lights), with plugs or with junction box. You will find information about the various types on the following pages.

All variants are supplied with a protection cover over the junction box or over the connectors of the tail lights.



TM4



TM5 - Polycarbonate



TM7



TM16 - Polycarbonate



TM11 - Polycarbonate

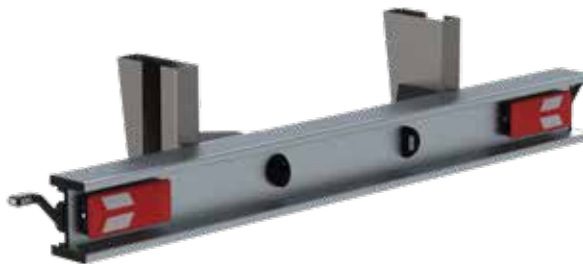


TM17 - Polycarbonate

Distances and dimensions

Legal requirements ECE R58 revision 3

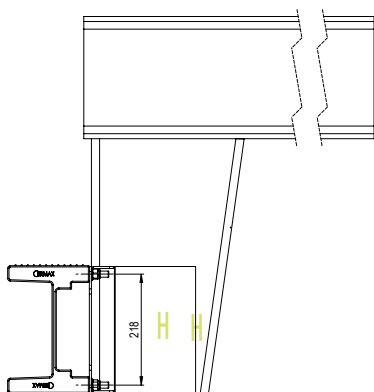
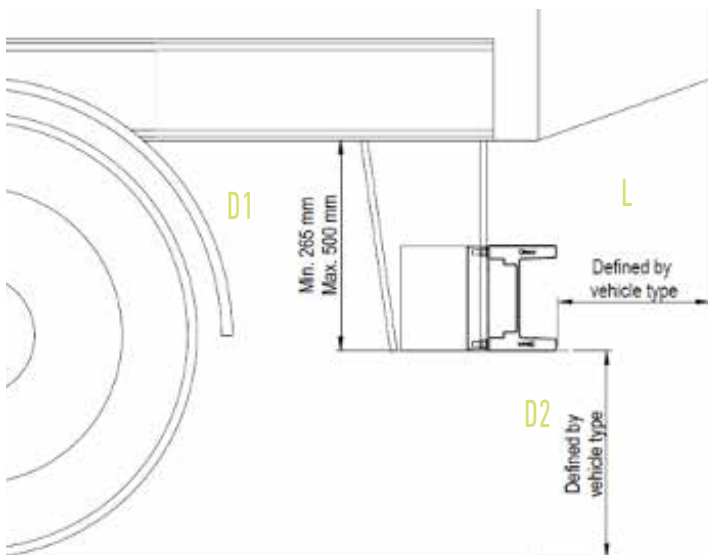
Since the rear underrun protection bar is a safety solution, it is governed by strict legal requirements. This increases safety for both the driver and other road users. That is why there are also legal requirements and safety clearances about where the underrun protection bar has to be placed on the vehicle.



The new ERMAX rear underrun protection bar with

- Total weight of only 28 kg
- Mounting brackets of 8 kg

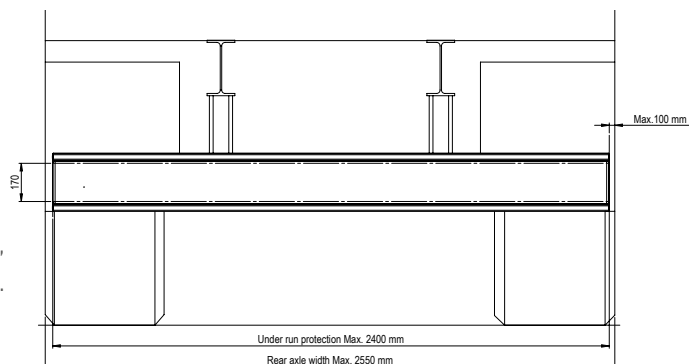
meets the new requirements according to ECE R58-03.



The side engagement of the rear underrun protection bar must be 0 - 100 mm, and must be the same size on both sides.

- L** Maximum permissible overhang
 - 300 mm (R58.03)
 - 400 mm (R58.02)
- D1** Permissible height of the consoles
 - Minimum 265 mm (R58-02 / R58-03)
 - Maximum 500 mm (R58-02 / R58-03)
- D2** Maximum permissible ground clearance (vehicle not loaded)
 - 450 mm (R58-03)
 - 550 mm (R58-02)
- H** Permissible minimum profile height of the underrun protection bar
 - 120 mm (R58-03)
 - 100 mm (R58-02)

The permissible dimensions can vary depending on the vehicle category and chassis type.



Impressive technology

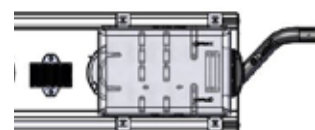
Individual solutions as required

There are various designs of the rear underrun protection bar solutions from ERMAX. These designs consist of various components with innovative solutions and control units - offering a very flexible rear underrun protection bar customized for the individual vehicle and needs.

The following control units and solutions are integrated in the ERMAX rear underrun protection bar.

LED failure control

- Built-in intelligent control for monitoring and failure report of LED tail lights according to ECE R48 – for indicator and stop functions.
 - The use of a technology which is NOT limited to ISO13207 and therefore suitable for all vehicles*.
 - Facilitates the overall assembly of the vehicle significantly - no additional parts required.
- * Valid for all known brands in the EU countries from 11/2019.



SIMAC® Control system - flashing side marker lights

- Intelligent control of flashing side marker lights SIMAC® according to ECE R48.
- Strong contribution to increasing road safety.
- Facilitates the overall assembly of the vehicle significantly - no additional parts required.

Junction box / Plug connections

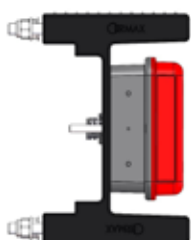
- ERMAX offers the classical solution with junction box where all cables from the lights are led into the box without external plugs.
- As an alternative solution ERMAX offers a solution with AMP and Super-Seal plugs connected behind the lights. This makes the direct access possible and thus a faster replacement by e.g. collision damages of a light.



Always a safe choice no matter what light

- Due to the form of the profile – not only from the back – but also from the front, the lights are safely placed and thus protected from the front and rear side.
- Due to the over and underlying profiles the lights are protected against most collisions.

Examples ECE R58-3



TM10 Tail light



TM11 Tail light



TM5 Tail light



TM4 Tail light

Optimal use

Long-term quality installation

All plugs are designed to meet IP69K for use at the rear of the vehicle.

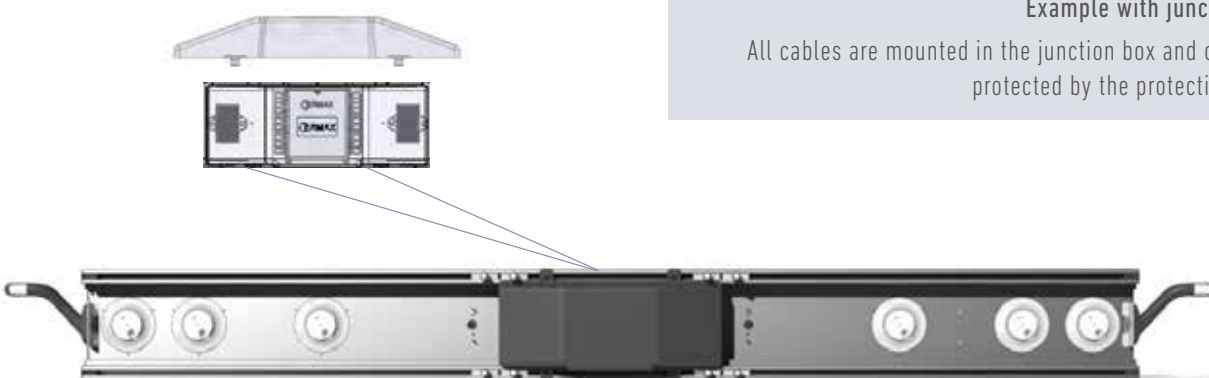
In order not just to secure a long-lasting functionality but also a long-lasting protected installation, every system with plugs also has a cover solution.

For solutions with junction box, a protective cap is mounted over the box.



Example with plugs behind the lights.

All plug connections are mounted under the protection cover and thus optimally protected.



Example with junction box.

All cables are mounted in the junction box and optimally protected by the protective cover.

The fully configured underrun protection bar can be installed via just one interface (without SIMAC) - through the pre-assembled rear cable with 15-pin bayonet socket together with 8 T-bolts. **Simple and time-optimized.**

Rear underrun protection bar with TM5 tail lights

Unbeatable durability

- Space-saving – ultra slim built-in depth of the TM5 tail lights
- Unsurpassed durability - impact resistant lens made of polycarbonate
- Increased traffic security – Eternal Light technology
- Connecting cable a 15-pin Ermax bayonet socket



Measure (WxDxH): 2780 (2400 mm without OEM) x 120 x 250 mm

Variant - ECE R58-02

Article no.	Type	Junction box	SIMAC	LED failure control	
				Direct indicator	Stop
098 258 130	LED	-	✓	✓	-
098 258 140	LED	✓	-	-	-
098 258 150	LED	✓	-	✓	-
098 258 160	LED	✓	✓	-	-
098 258 170	LED	✓	✓	✓	-

Measure (WxDxH): 2780 (2400 mm without OEM) x 160 x 252 mm

Variant - ECE R58-03

Article no.	Type	Junction box	SIMAC	LED failure control	
				Direct indicator	Stop
098 259 100	LED	-	-	-	-
098 259 110	LED	-	-	✓	-
098 259 130	LED	-	✓	✓	-
098 259 140	LED	✓	-	-	-
098 259 150	LED	✓	-	✓	-
098 259 155	LED	✓	-	✓	✓
098 259 170	LED	✓	✓	✓	-
098 259 175	LED	✓	✓	✓	✓

Rear underrun protection bar with TM7 tail lights

Classical solution

- Compact round lights with a chrome look
- Easy mounting
- Classical LED look
- Connecting cable with a 15-pin Ermax bayonet socket



Measure (WxDxH): 2780 (2400 mm without OEM) x 120 x 250 mm

Variant - ECE R58-02

Article no.	Type	Junction box	SIMAC	LED failure control	
				Direct indicator	Stop
098 258 200	LED	-	-	-	-
098 258 230	LED	-	✓	✓	-
098 258 240	LED	✓	-	-	-
098 258 250	LED	✓	-	✓	-
098 258 260	LED	✓	✓	-	-
098 258 270	LED	✓	✓	✓	-

Measure (WxDxH): 2780 (2400 mm without OEM) x 160 x 252 mm

Variant - ECE R58-03

Article no.	Type	Junction box	SIMAC	LED failure control	
				Direct indicator	Stop
098 259 200	LED	-	-	-	-
098 259 210	LED	-	-	✓	-
098 259 230	LED	-	✓	✓	-
098 259 240	LED	✓	-	-	-
098 259 250	LED	✓	-	✓	-
098 259 255	LED	✓	-	✓	✓
098 259 270	LED	✓	✓	✓	-
098 259 275	LED	✓	✓	✓	✓

Rear underrun protection bar with TM16 tail lights

Solution with D approval

- Modern round lights with a chrome look
- Unique LED Design
- Easy mounting
- Connecting cable with a 15-pin Ermax bayonet socket



Variant - ECE R58-03

Measure (WxDxH): 2780 (2400 mm without OEM) x 160 x 252 mm

Article no.	D-approval	Indicator light	Type	Junction boxes	SIMAC	LED failure control	
						Direct indicator	Stop
098 259 340	✓	Standard	LED	✓	-	-	-
098 259 350	✓	Standard	LED	✓	-	✓	-
098 259 370	✓	Standard	LED	✓	✓	✓	-
098 259 375		Dynamic	LED	✓	✓	✓	-

Rear underrun protection bar with TM11 tail lights

Full LED functionality

- Impact resistant lens made of polycarbonate
- Increased traffic security – Eternal Light technology
- High reliability - LED failure control optional and SIMAC integrated
- Connecting cable with a 15-pin Ermax bayonet socket



Measure (WxDxH): 2780 (2400 mm without OEM) x 220 x 250 mm

Variant - ECE R58-02

Article no.	Type	SIMAC	LED failure control	
			Direct indicator	Stop
098 258 520	LED	✓	-	-
098 258 530	LED	✓	✓	-
098 258 580	LED	✓	✓	✓

Measure (WxDxH): 2780 (2400 mm without OEM) x 160 x 252 mm

Variant - ECE R58-03

Article no.	Type	SIMAC	LED failure control	
			Direct indicator	Stop
098 259 520	LED	✓	-	-
098 259 530	LED	✓	✓	-
098 259 580	LED	✓	✓	✓

With the TM11 tail light the Ermax rear bumper has a real all-rounder on board: further to the standard functions the TM11 also has an optional LED indicator failure control and a flash function for the side marker lights (SIMAC) integrated in the light housing – mounting will never be easier!



TM11 LED



LED control unit "Snap-in"



SIMAC control "Snap-in"

Rear underrun protection bar with TM17 tail lights

Unsurpassed Full-LED Functionality

- Striking and innovative design
- A sleek black background, creating a striking sense of depth
- Position light through the three horizontal stripes
- Connecting cable with a 15-pin Ermax bayonet socket



Measure (WxDxH): 2780 (2400 mm without OEM) x 160 x 252 mm

Variant - ECE R58-03

Article no.	Indicator light	Type	SIMAC	LED failure control	
				Direct indicator	Stop
098 259 740	Dynamic	LED	✓	-	-
098 259 750	Dynamic	LED	✓	✓	-
098 259 760	Dynamic	LED	✓	✓	✓
098 259 780	Dynamic	LED	✓	✓	✓

With the TM17 tail light the Ermax rear bumper has a real all-rounder on board: further to the standard functions the TM17 also has an optional LED indicator failure control and a flash function for the side marker lights (SIMAC) integrated in the light housing – mounting will never be easier!



TM17 LED



LED control unit "Snap-in"



SIMAC control "Snap-in"

Rear underrun protection bar with TM4 tail lights

A classic - new developed

- Classical elegant design - new developed
- LED failure control and SIMAC integrated



Integrated LED failure control for monitoring the direction indicator function and stop light function



098 259 075



098 259 095

Measure (WxDxH): 2780 (2400 mm without OEM) x 160 x 252 mm

Variant - ECE R58-03

* With D-approval

Article no.	Type	Junction box	SIMAC	LED failure control	
				Direct indicator	Stop
098 259 075 *	LED	✓	✓	✓	✓
098 259 095 **	LED	✓	✓	✓	✓

** The triangular reflectors must be installed separately

Underrun protection bar with TM2 tail lights

- Tail light with bulb - the remaining lights are LED
- Easy mounting



Measure (WxDxH): 2780 (2400 mm without OEM) x 120 x 250 mm

Variant - ECE R58-02

Article no.	Type	SIMAC	LED failure control	
			Direct indicator	Stop
098 258 635	Bulb	NA	NA	NA

Measure (WxDxH): 2780 (2400 mm without OEM) x 160 x 252 mm

Variant - ECE R58-03

Article no.	Type	SIMAC	LED failure control	
			Direct indicator	Stop
098 259 635	Bulb	NA	NA	NA

Rear underrun protection bar ECE R58-02

Anodized - without lights

Anodized aluminium - 3 variants packed individually in a cardboard box or pallet packaging.

End caps and T-bolts must be ordered separately.



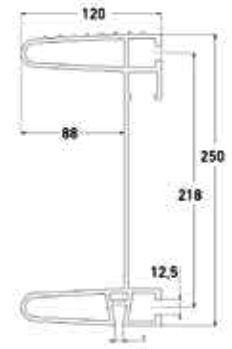
Pos 1



Pos 2



Pos 3



Pos 4



Pos 5

Variant - ECE R58-02

Article no.	Pos	Variant type	Drilling	Packaging
098 259 000	1	Without drilling	-	Individually (1 pcs)
098 258 000	2	For built-in lights (TM5, TM7)	6 x Ø135 mm	
098 258 001	3	For 7-function lights (TM10, TM11)	2 x Ø44 mm, 8 x Ø30 mm	

OBS.
End caps and T-bolts must be ordered separately

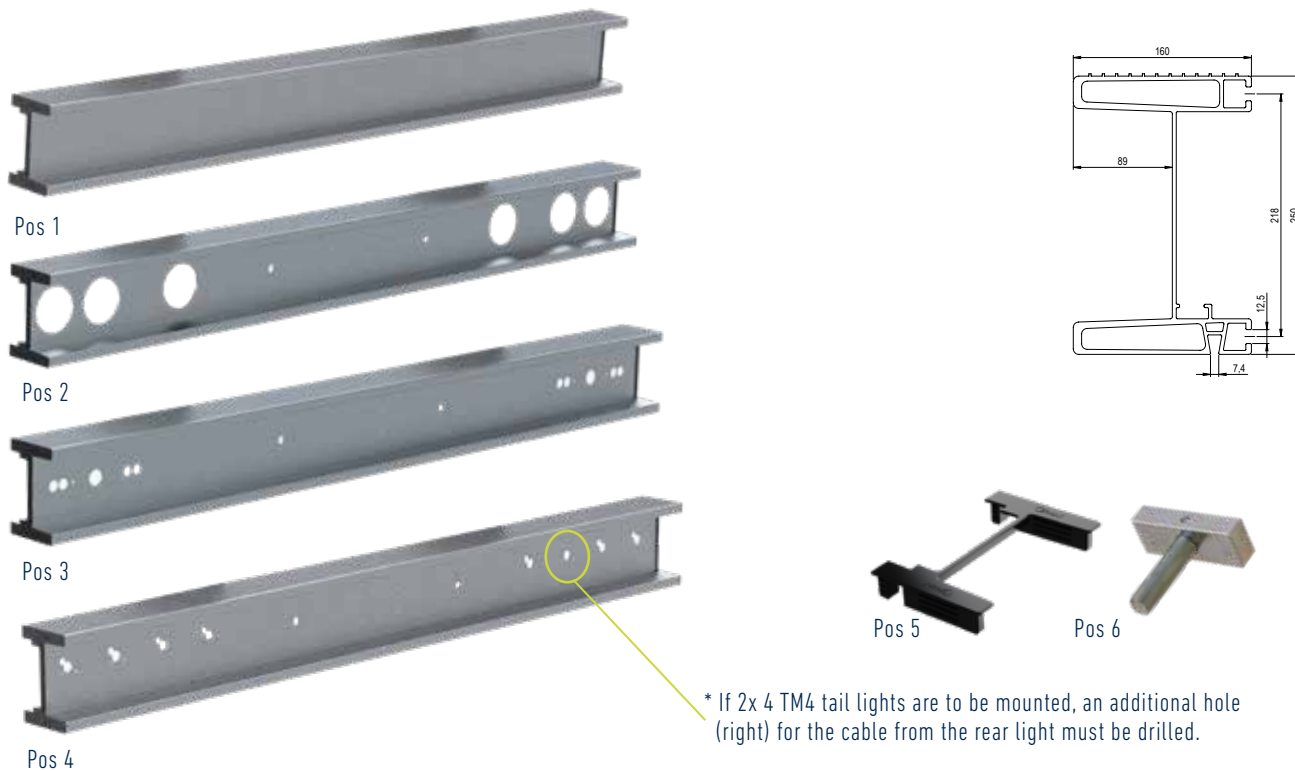
Article no.	Pos	Description	Packaging
098 299 610	4	End cap, plastic (2 pcs. per underrun protection bar)	Bag with 2 pcs.
099 110 004	5	T-bolts (4 pcs. per underrun protection bar)	Bag with 4 pcs.

Rear underrun protection bar ECE R58-03

Anodized - without lights

Anodized aluminium - 4 variants packed individually in a cardboard box or pallet packaging.

End caps and T-bolts must be ordered separately.



Variant - ECE R58-03

Article no.	Pos	Variant type	Drilling	Packaging
098 259 005	1	Without drilling	-	Individually (1 pcs)
098 259 006	2	For built-in lights (TM5, TM7, TM16)	6 x Ø135 mm	
098 259 007	3	For 7-function lights (TM10, TM11, TM17)	2 x Ø44 mm, 8 x Ø30 mm	
098 259 008 *	4	For surface mounted lights (TM4)	16 x Ø7 mm, 8 x Ø28/20 mm	

099 259 005	1	Without drilling	-	Pallet 15 pcs
099 259 006	2	For built-in lights (TM5, TM7, TM16)	6 x Ø135 mm	
099 259 007	3	For 7-function lights (TM10, TM11, TM17)	2 x Ø44 mm, 8 x Ø30 mm	
099 259 008 *	4	For surface mounted lights (TM4)	16 x Ø7 mm, 8 x Ø28/20 mm	

OBS.
End caps and T-bolts must be ordered separately

Article no.	Pos	Description	Packaging
099 299 616	5	End cap, plastic (2 pcs. per underrun protection bar)	Bag with 2 pcs.
099 299 615	5	End cap, plastic (2 pcs. per underrun protection bar)	40 pcs.
099 110 004	6	T-bolts (8 pcs. per underrun protection bar)	Bag with 4 pcs .

Spare parts and accessories ECE R58-02



The consoles mentioned in the certificate (pos. 1) are mounted at the chassis frame. The associated reinforcement brackets (pos. 2) must be used for specific widths of the chassis frame according to the guidance in the certificate.

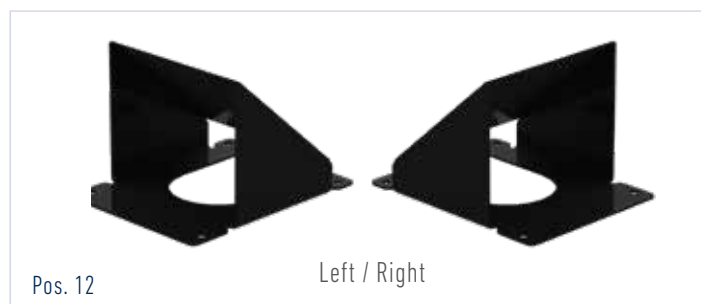
Consoles as well as reinforcement brackets are offered from ERMAX as accessories, but may also be produced by the vehicle manufacturer, provided that the technical instructions in the certificate are followed exactly.



Spareparts and accessories

	Pos.	Artikelnummer
Console - Square profile for welding on the chassis frame	1	098 299 620
Reinforcement bracket - Left side 098 299 602 / right side 098 292 603 A frame width between 840-1250 requires 2 pcs. By use of these reinforcement brackets, additional 4 T-bolts will be needed. (099 110 004)	2	098 299 602 098 299 603
End cap, plastic - Bag with 2 pcs. (2 pieces per underrun protection bar are needed)	3	098 299 610
T-bolt M12x55 mm with square head - Bag with 4 pcs. (4 pieces per underrun protection bar are needed)	4	099 110 004
Stainless steel angle bracket for fixation of marker lamps for light bar	5	098 299 605
Square shaped clamp: 25x25x5 mm / Thickness: 1 mm bags of 10 pcs.	6	098 299 612
Type approval label	7	099 110 001
Cover for junction box for underun protection bar. Plastic	8	098 299 617
Base plate for rear underrun protection bar with TM5/TM7. Plastic	9	098 299 608
Cover for base plate. For rear bumper with TM5/TM7. To be used with base plate 098299608	10	098 299 609

Spare parts and accessories ECE R58-03



The consoles mentioned in the certificate (pos. 11) are mounted at the chassis frame. The associated reinforcement brackets (pos. 12) must always be present.

Consoles as well as reinforcement brackets are offered from ERMAX as accessories, but may also be produced by the vehicle manufacturer, provided that the technical instructions in the certificate are followed exactly.

Depending upon the width of the chassis frame (distances between the consoles) the reinforcement brackets must be placed inside or outside the consoles in order to support the underrun protection bar.

According to the certificate, the consoles may also be integrated in the chassis.



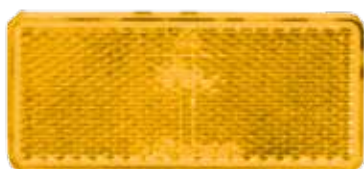
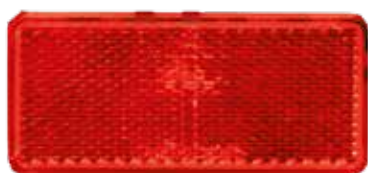
Pos. 14

Pos. 15

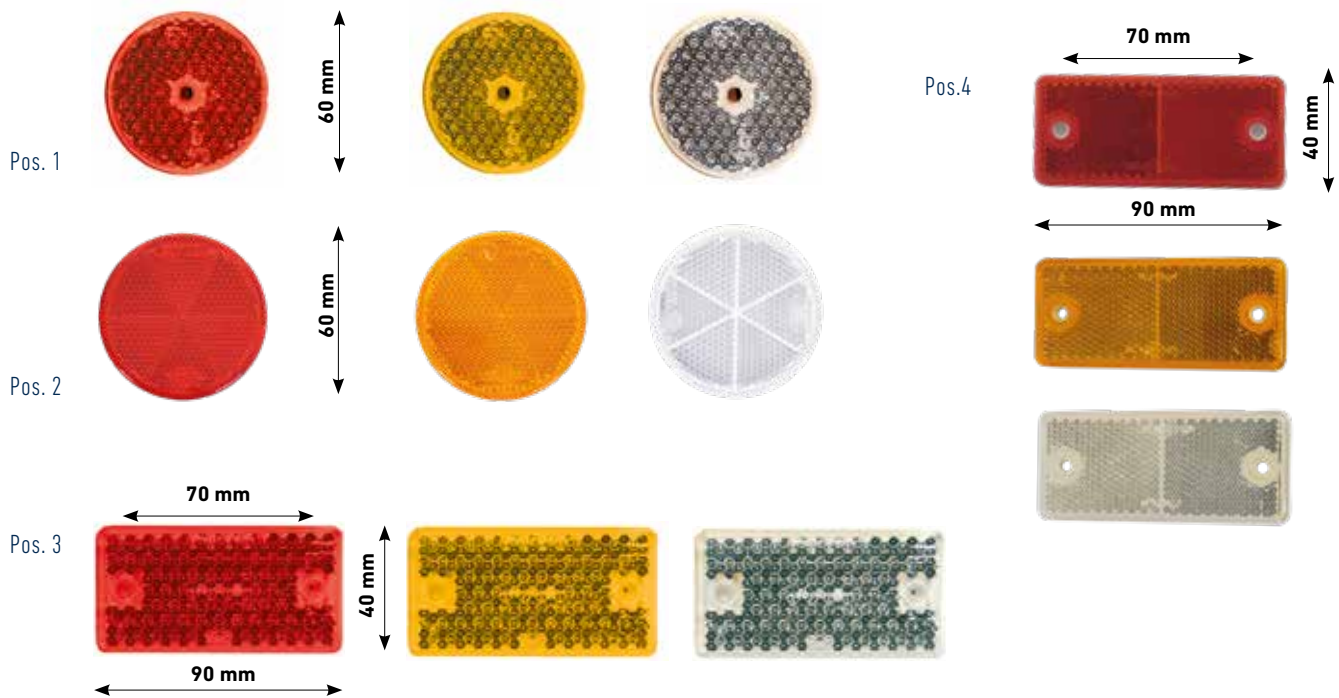
Spareparts and accessories

	Pos.	Artikelnummer
Console 1 - Profile for welding on the chassis frame	11	099 299 623
Console 2 - Profile for welding on the chassis frame.	11	099 299 622
Reinforcement bracket - left / right (1 pcs) Frame distance 1250-1450 mm : The reinforcement brackets must be installed on the inside of the consoles. Frame distance 980-1249 mm : The reinforcement brackets must be mounted on the outside of the consoles. 4 x 099 110 004 T-bolts M12 x 55 mm are needed for each braket / totally 8 pcs.	12	099 299 625
End cap, plastic - Bag with 2 pcs (2 pieces per underrun protection bar are needed)	14	099 299 616
T-bolt M12x55 mm with square head - Bag with 4 pcs. (8 pieces per underrun protection bar are needed)	4	099 110 004
Stainless steel angle bracket for fixation of marker lamps for light bar	5	098 299 605
Type approval label	15	099 110 002
Cover for junction box for underun protection bar. Plastic	8	098 299 617
Base plate for rear underrun protection bar with TM5/TM7. Plastic	9	098 299 608
Cover for base plate. For rear bumper with TM5/TM7. To be used with base plate 098299608	10	098 299 609

Reflex reflector

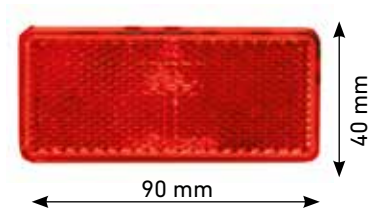


Reflex reflector with and without self-adhesive back

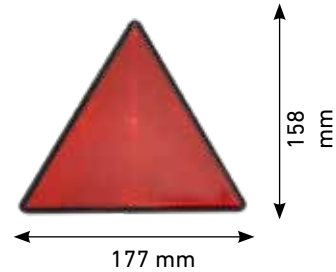


Colour	Dimension	Hole/screw	Self-adhesive	Packing unit	Pos.	Article No.
Red	Ø60 mm	Ø 6,3 mm		10 pcs	1	098 261 060
Yellow	Ø60 mm	Ø 6,3 mm		10 pcs	1	098 261 062
White	Ø60 mm	Ø 6,3 mm		10 pcs	1	098 261 064
Red	Ø60 mm		✓	10 pcs	2	098 262 061
Yellow	Ø60 mm		✓	10 pcs	2	098 262 063
White	Ø60 mm		✓	10 pcs	2	098 262 065
Red	90 x 40 mm	Ø 4,3 mm		10 pcs	3	098 264 120
Yellow	90 x 40 mm	Ø 4,3 mm		10 pcs	3	098 264 122
White	90 x 40 mm	Ø 4,3 mm		10 pcs	3	098 264 124
Red	90 x 40 mm	Ø 4,3 mm	✓	10 pcs	4	098 265 130
Yellow	90 x 40 mm	Ø 4,3 mm	✓	10 pcs	4	098 265 132
White	90 x 40 mm	Ø 4,3 mm	✓	10 pcs	4	098 265 134

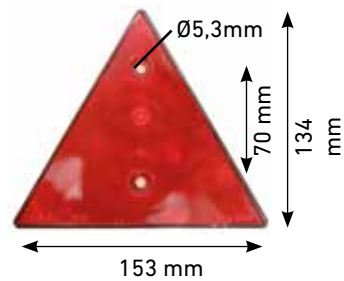
Reflex reflector



Pos. 1



Pos. 2



Pos. 3



Colour	Dimension	Loch/screw	Self-adhesive	Packing unit	Pos.	Article No.
Red	90 x 40 mm		✓	10 pcs	1	098 265 140
Yellow	90 x 40 mm		✓	10 pcs	1	098 265 142
White	90 x 40 mm		✓	10 pcs	1	098 265 144
Red	177 x 158 mm	2 x M5		1 pcs	2	098 267 605
Black rear plate						
Red	158 x 140 mm	Ø 5,3 mm		10 pcs	3	098 267 610

Reflex marker boards for trailers



1130 x 196 mm



565 x 196 mm



285 x 196 mm

ECE Reg. 70.01



Aluminum	Self-adhesive foil	Packing unit	Pos.	Article No.
1130 x 196 mm		1 pcs	1	098 269 417
	1130 x 196 mm	1 pcs	1	098 269 412
565 x 196 mm		2 pcs	2	098 269 419
	565 x 196 mm	2 pcs	2	098 269 414
285 x 196 mm		4 pcs	3	098 269 421
	285 x 196 mm	4 pcs	3	098 269 416

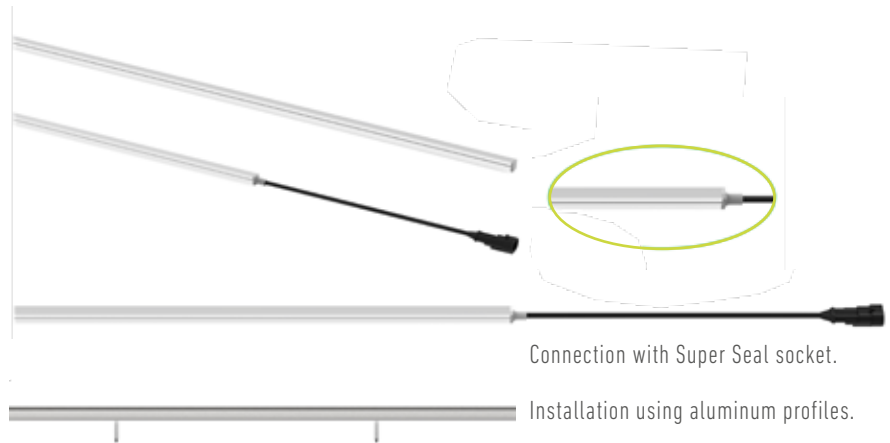
Interior lighting



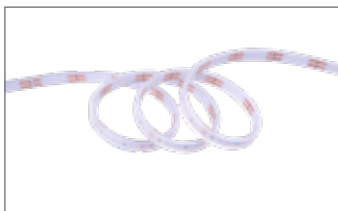
LED Strips for interior use

Ideal work lighting

LED strips are perfect for both work and ambient lighting. Their almost shadowless light distribution, long lifespan and compact design are just a few of the advantages over other light sources. These high-quality, reliable LED strips are available in both Eternal Light and transparent options.



LED strips with Eternal light illumination in sleek cool design. Slim and soft light body, which is bendable to be the ideal choice for linear lighting. The lighting effect stays continuous and uniform without any dark areas.



Transparent LED strips for increased light intensity with flat lighting surface in wide beam angle. Crystal light body with very smooth feeling. Flexible and bendable.

Interior lighting for enhanced productivity

Innovative lighting

With 120 bright LEDs per meter, the LED strips deliver uniform and almost shadowless light.

Light intensity

Light intensity ranges from 540 to 1.200 lumens per meter, with a light color of 4000 K.

Illumination

Featuring Eternal Light technology for uniform light emission and a sleek, cool design, or available in a transparent option for increased light intensity.

Easy installation

The LED strips are highly flexible, making them simple to install with fewer connections than individual lights. They can be mounted using aluminum profiles.

Durable design

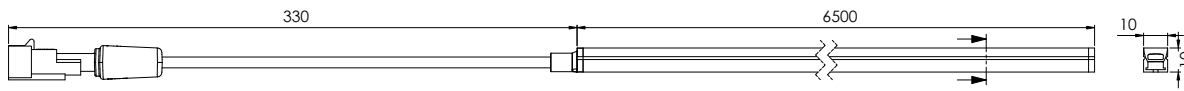
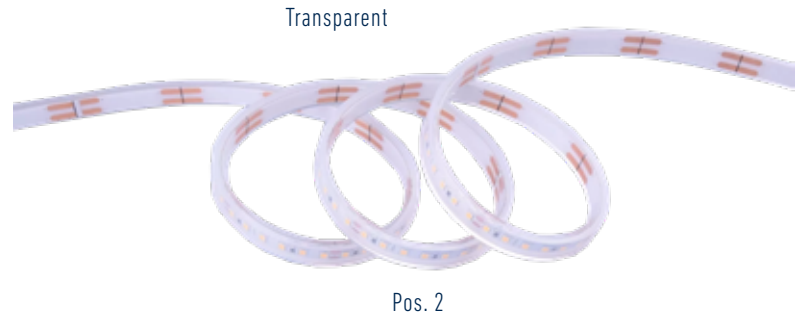
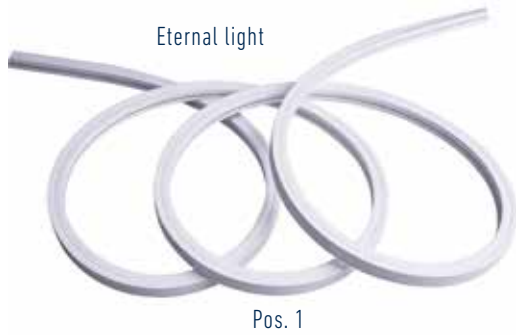
Highly robust and extreme flexible. Vibration, and shock resistant.

Application areas

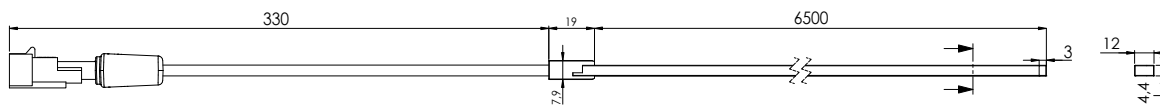
They are ideally suited for container vehicles of all types, cooling vehicles, box trailers, and any situation where work lights are necessary.

LED Strips for interior use

Technical details and dimensions



Pos. 1



Pos. 2



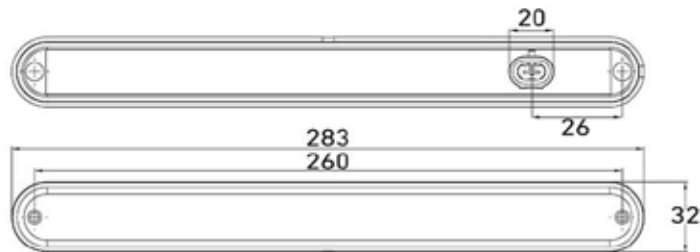
Voltage	IP Rating	Description	Lumen per meter	Kelvin	Measure Length x width x height	Connections	Pos.	Artikel-No.
24V	IP67	LED Strip - Eternal Light	540	4000	6.500 x 10 x 10 mm	300 mm cable with Super Seal socket	1	098 274 006
24V	IP67	LED Strip - Transparent	1200	4000	6.500 x 12 x 4,4 mm	300 mm cable with Super Seal socket	2	098 274 036



Description	Measure Length x width x height	Screw diameter	Pos.	Artikel-No.
Aluminum mounting profile for Eternal Light LED Strip	1.000 x 11,3 x 9,1 mm	Ø3.0 mm	1	098 292 010
Plastic mounting profile for the transparent LED Strip	1.000 x 14 x 8,8 mm	Ø3.0 mm	2	098 292 015

The desired total length is achieved by combining multiple rails and/or shortening the rails

LED interior lights - Surface mounting or Built-in



Description

Lens: PMMA
 Housing/holder: Polypropylen (PP)
 Bolt distance: 260 mm



Lighting	IP-Rating	Lumen	Dimension	Operating voltage	Surface mounting	Built-in	Connection	Article No.
LED	IP67	60	283 x 32 mm	24V	✓	✓	500 mm cable with Super Seal socket	098 274 725

Reverse- & work lights

Lumen specification

The reversing and work lights in the following section are specified with a theoretical and an effective lumen.

The theoretical lumen is the calculated lumen of the light source

The effective lumen is the light measured outside the lens.



Easy maintenance

Various connection variations

ERMAX reverse- & work lights are available with various connection variations – connection cable with Open end, Super Seal socket or “Deutsch” socket.

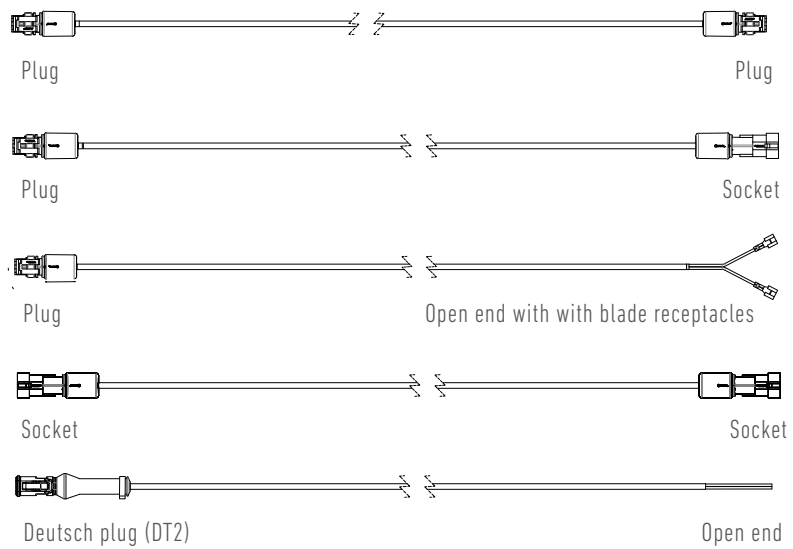
For connector variants, Ermax always offers a standard cable length of 300 millimeters to the first plug connection. The cable length can be adjusted according to need by means of standard extension cable or adapter cable. This ensures optimum ease of maintenance.

Connection / Extension possibilities ERMAX reverse- & work lights

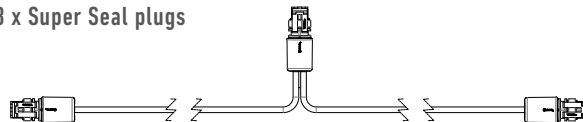


Super Seal socket

Extension cable with Super Seal connection

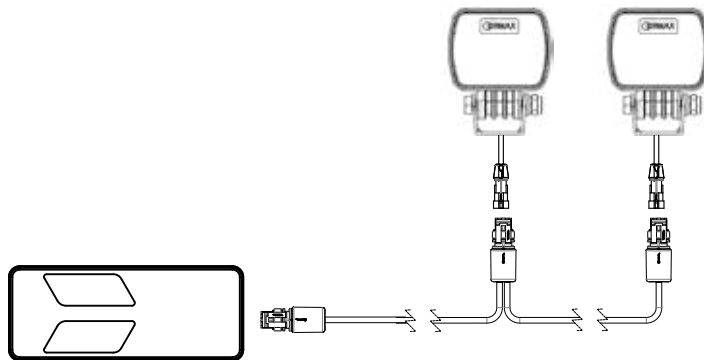


Y-Adapter with 3 x Super Seal plugs



Reverse light connected as a chain

-connected by a side cable with 1 inlet and 2 outlets with Super Seal plugs



2 pieces of Ermax reverse lights or work lights are allowed to be connected to an Ermax tail light (Max 52W)

Technical features ERMAX reverse lights and work lights

Technical specifications - Common to all variants

- Impact-resistant lens made of polycarbonate
- Housing made of aluminium, black lacquer (anti corrosion layers)
- Mounting bracket made of stainless steel, AISI 304 quality
- Mounting bolts M8 / 30 mm
- Multivolt 12/24V
- Working temperature -40 °C bis +65 °C
- Flood light pattern
- Colour temperature 6.500 °Kelvin
- Protection class IP69K
- Overheating and reverse polarity protection
- ADR and EMC/R10 approved
- Reverse light approval – ECE R23 tested*

098 174 26 / 27* / 29* / 36* / 38*, 098 256 25x

Advantages of the newest LED light technology

- which are optimally utilised in the Ermax reverse lights and work lights

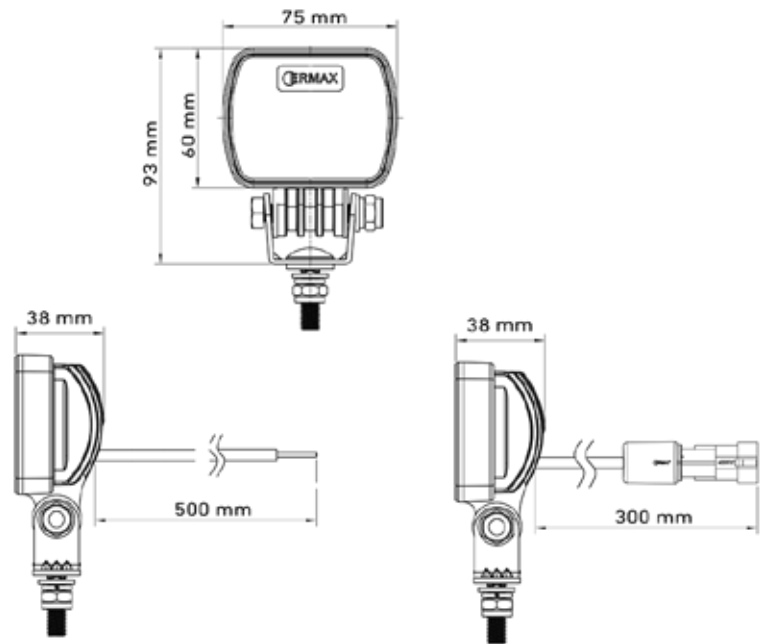
The advantages of the newest LED technology, which are optimally utilised in the ERMAX reverse lights and work lights - result in a product with a very high quality and extremely long life - and thus cost-effectiveness, which is a real highlight.

- High light output
- Extremely long lifetime
- 100% water & dustproof
- Low power consumption
- Maintenance free
- High shock and vibration resistance
- Effective heat conduction
- Increased profitability



Reverse Light - Housing made of Aluminium

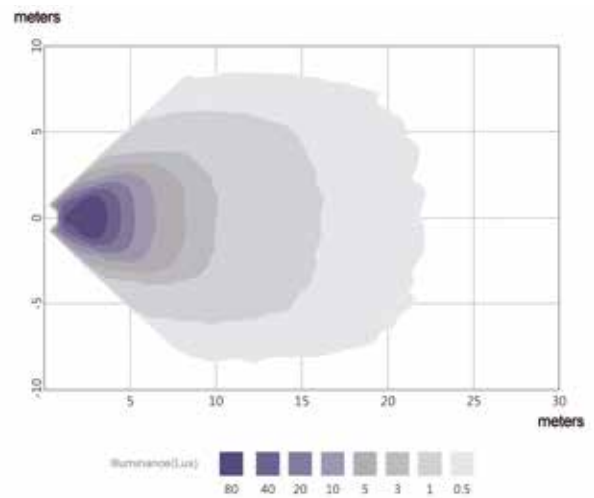
Lumen 650



Description

Lens: Polycarbonate
 Housing: Aluminium
 Colour temperature: 6500K
 Measurements W x H x D: 75 x 60 x 38 mm
 Height total: 93 mm
 Mounting bolt: 30 mm / M8
 Width of mounting: 33 mm
 Working temperature: -40 °C - + 65 °C
 IP rating: IP69K
 Wire colours: Brown = ground
 Blue = +

Illumination



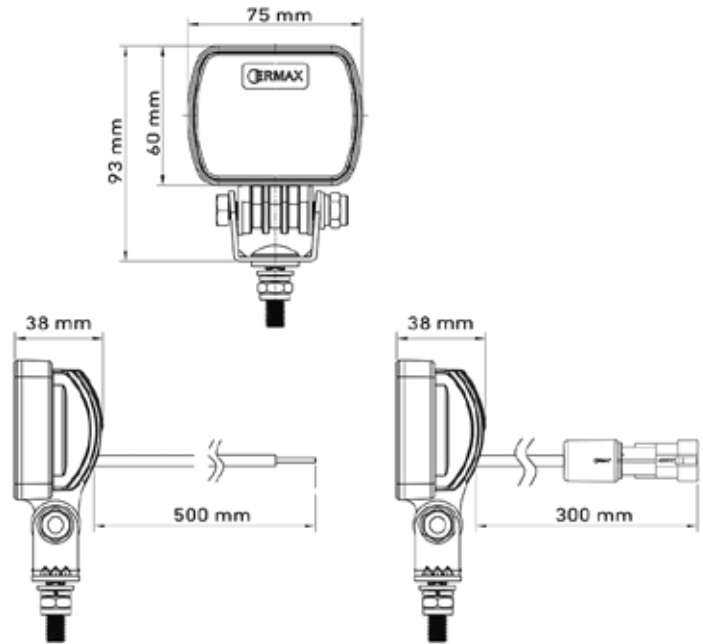
Bird's eye view 1,2 meter above the ground with an incline angle of 5°



Operating voltage	Energy consumption	Connection	Cable length	Light source	Lumen Theoretical / effective	Light pattern	Article No.
12/24V	6,5W	Open end	500 mm	6 x high-powered LED	650 / 300	Flood	098 256 250
12/24V	6,5W	Super Seal socket	300 mm	6 x high-powered LED	650 / 300	Flood	098 256 255

Work Lights LED - Housing made of Aluminium

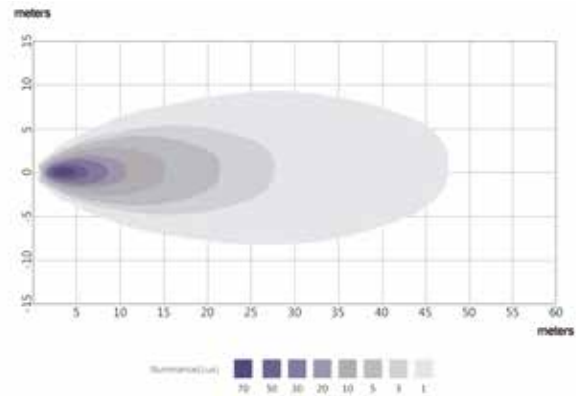
Lumen 800



Description

Lens:	Polycarbonate
Housing:	Aluminium
Colour temperature:	6500K
Measurements W x H x D:	75 x 60 x 93 mm
Height total:	93 mm
Mounting bolt:	30 mm / M8
Width of mounting:	33 mm
Working temperature:	-40 °C - + 65 °C
IP rating:	IP69K
Wire colours	Brown = ground Blue = +

Illumination



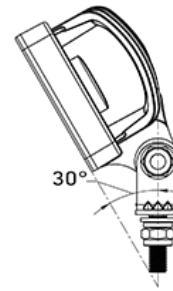
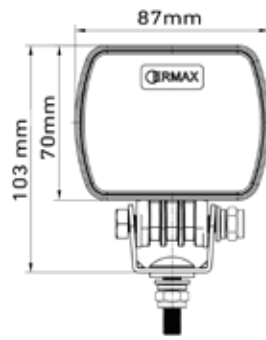
Bird's eye view 1,2 meter above the ground with an incline angle of 5°



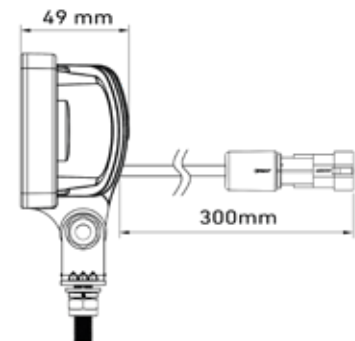
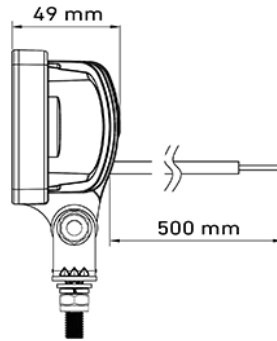
Operating voltage	Energy consumption	Connection	Cable length	Light source	Lumen Theoretical / effective	Light pattern	Article No.
12/24V	8W	Open end	500 mm	6 x high-powered LED	800 / 600	Flood	098 174 250
12/24V	8W	Super Seal plug	1000 mm	6 x high-powered LED	800 / 600	Flood	098 174 254
12/24V	8W	Super Seal socket	300 mm	6 x high-powered LED	800 / 600	Flood	098 174 255

Reverse Lights LED - Housing made of Aluminium

Lumen 1.600



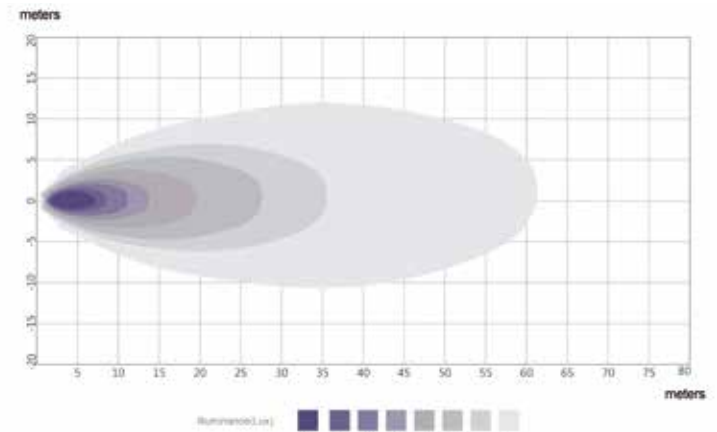
Approved as reverse light
- with 30° tilt when vertical
mounted



Description

Lens: Polycarbonate
 Housing: Aluminium
 Colour temperature: 6500K
 Measurements W x H x D: 87 x 70 x 49 mm
 Height total: 103 mm
 Mounting bolt: 30 mm / M8
 Width of mounting: 33 mm
 Working temperature: -40 °C - + 65 °C
 IP rating: IP69K
 Wire colours: Brown = ground
 Blue = +

Illumination



Bird's eye view 1,2 meter above the ground with an incline angle of 5°



Operating voltage	Energy consumption	Connection	Cable length	Light source	Lumen Theoretical / effective	Light pattern	Article No.
12/ 24V	16W	Open end	500 mm	9 high-powered LED	1600 / 1200	Flood	098 174 260
12/ 24V	16W	Super Seal plug	6000 mm	9 high-powered LED	1600 / 1200	Flood	098 174 263
12/24V	16W	Super Seal plug	1.000 mm	9 high-powered LED	1.600 / 1.200	Flood	098 174 264
12/ 24V	16W	Super Seal socket	300 mm	9 high-powered LED	1600 / 1200	Flood	098 174 265
12/24V	16W	Integrated Deutsch (DT2) socket	--	9 high-powered LED	1.600 / 1.200	Flood	098 174 267

Work Lights LED - Housing made of Aluminium

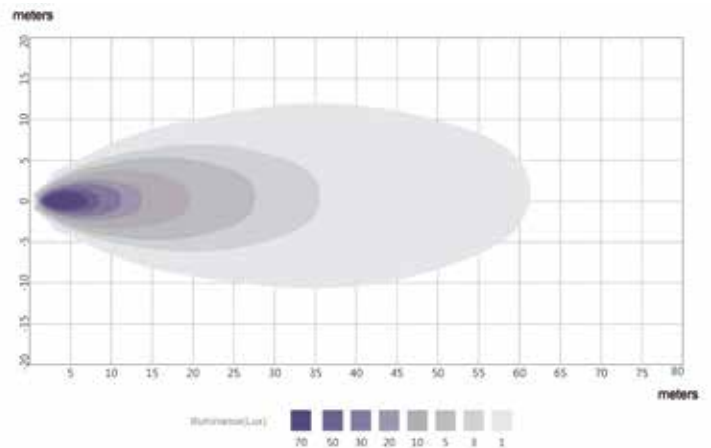
Lumen 1.600



Description

Lens:	Polycarbonate
Housing:	Aluminium
Colour temperature:	6500K
Measurements W x H x D:	87 x 70 x 49 mm
Height total:	103 mm
Mounting bolt:	30 mm / M8
Width of mounting:	33 mm
Working temperature:	-40 °C - + 65 °C
IP rating:	IP69K
Wire colours	Brown = ground Blue = +

Illumination



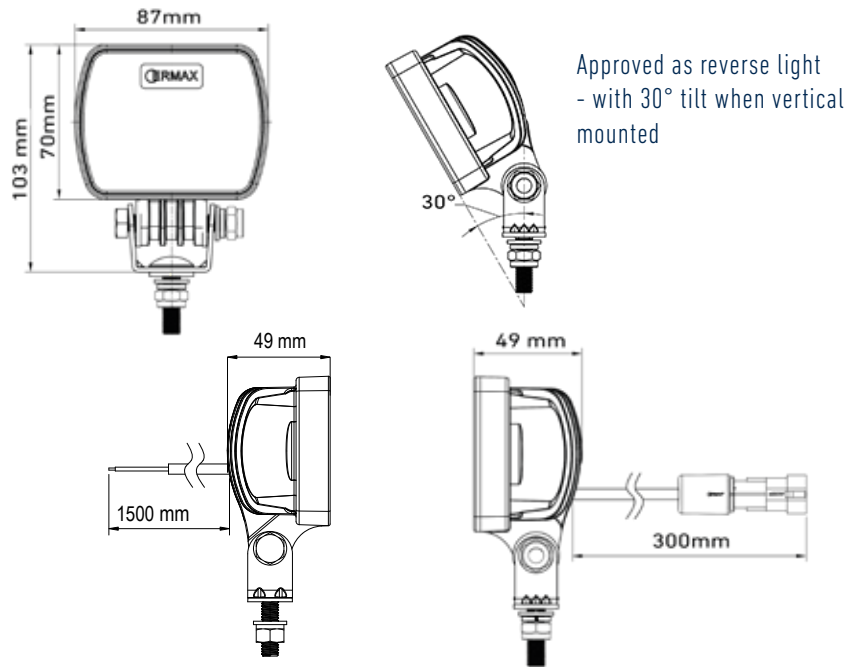
Bird's eye view 1,2 meter above the ground with an incline angle of 5°



Operating voltage	Energy consumption	Connection	Cable length	Light source	Lumen Theoretical / effective	Light pattern	Article No.
12/ 24V	16W	Open end	1.500 mm	9 high-powered LED	1600 / 1200	Flood	098 174 260W
12/24V	16W	Super Seal plug	1.000 mm	9 high-powered LED	1.600 / 1.200	Flood	098 174 264W
12/ 24V	16W	Super Seal socket	300 mm	9 high-powered LED	1600 / 1200	Flood	098 174 265W

Reverse Lights LED – Housing made of plastic

Lumen: 1.600

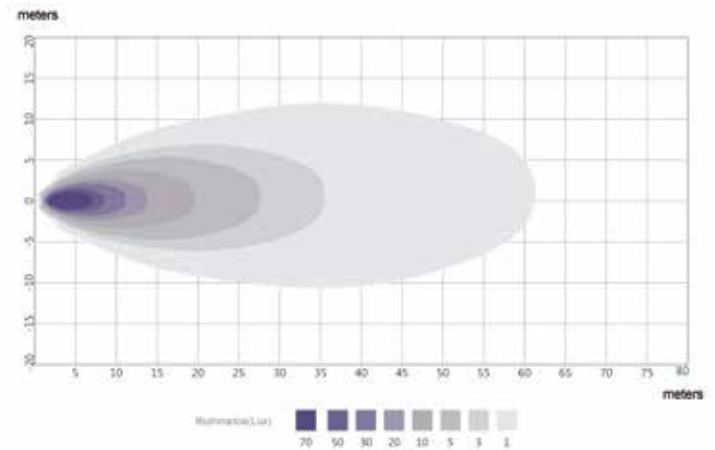


Approved as reverse light
- with 30° tilt when vertical
mounted

Description

Lens:	Polycarbonate
Housing:	Composite plastic
Colour temperature:	6500K
Measurements W x H x D:	87 x 70 x 49 mm
Height total:	103 mm
Mounting bolt:	30 mm / M8
Width of mounting:	31 mm
Working temperature:	-40 °C - + 65 °C
IP rating:	IP69K
Wire colours	Brown = ground Blue = +

Illumination



Bird's eye view 1.2 metres above the ground with an incline angle of 5°

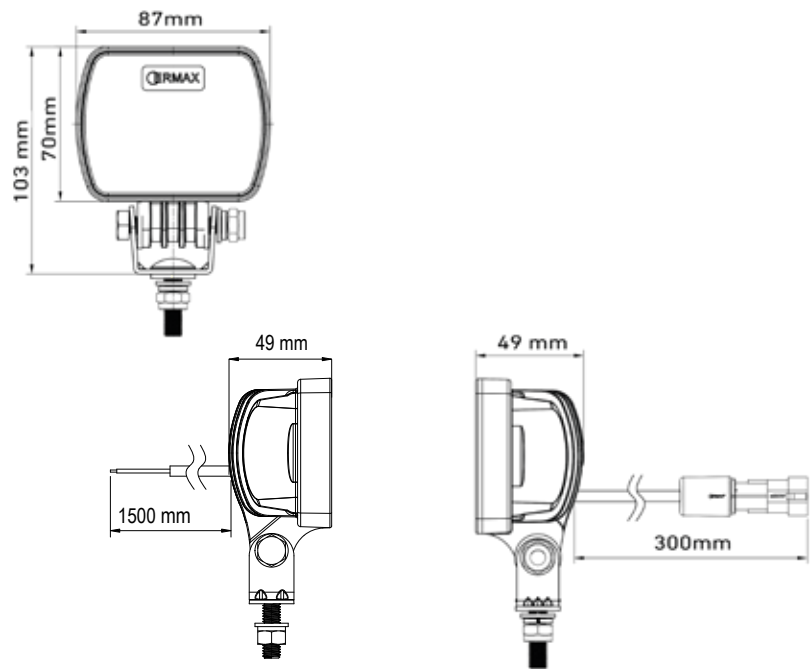
- Particularly suitable for use in highly corrosive environments
- Housing material: Thermally conductive plastic



Operating voltage	Energy consumption	Connection	Cable length	Light source	Lumen Theoretical / effective	Light pattern	Article No.
12/24V	16W	Open end	1.500 mm	9 high-powered-LEDs	1.600 / 1.200	Flood	098 174 290
12/24V	16W	Super Seal plug	6.000 mm	9 high-powered-LEDs	1.600 / 1.200	Flood	098 174 293
12/24V	16W	Super Seal socket	300 mm	9 high-powered-LEDs	1.600 / 1.200	Flood	098 174 295
12/24V	16W	Integrated Deutsch (DT2) socket	--	9 high-powered-LEDs	1.600 / 1.200	Flood	098 174 297

Work Lights LED – Housing made of plastic

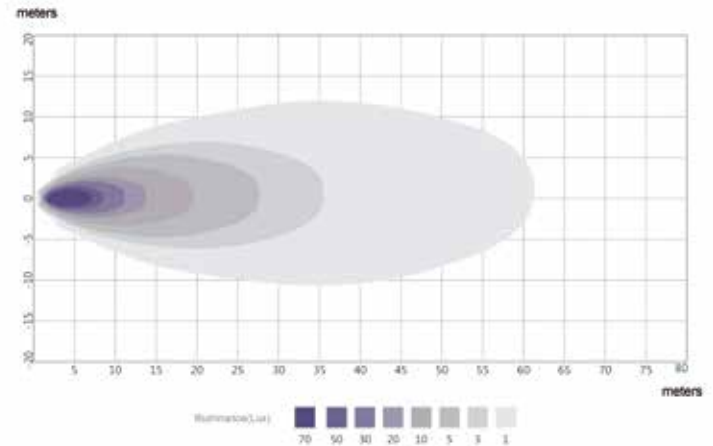
Lumen: 1.600



Description

Lens:	Polycarbonate
Housing:	Composite plastic
Colour temperature:	6500K
Measurements W x H x D:	87 x 70 x 49 mm
Height total:	103 mm
Mounting bolt:	30 mm / M8
Width of mounting:	31 mm
Working temperature:	-40 °C - + 65 °C
IP rating:	IP69K
Wire colours	Brown = ground Blue = +

Illumination



Bird's eye view 1.2 metres above the ground with an incline angle of 5°

- Particularly suitable for use in highly corrosive environments
- Housing material: Thermally conductive plastic



Operating voltage	Energy consumption	Connection	Cable length	Light source	Lumen Theoretical / effective	Light pattern	Article No.
12/24V	16W	Open end	1.500 mm	9 high-powered-LEDs	1.600 / 1.200	Flood	098 174 290

Reverse Lights LED - Housing made of Aluminium

Lumen 2.400

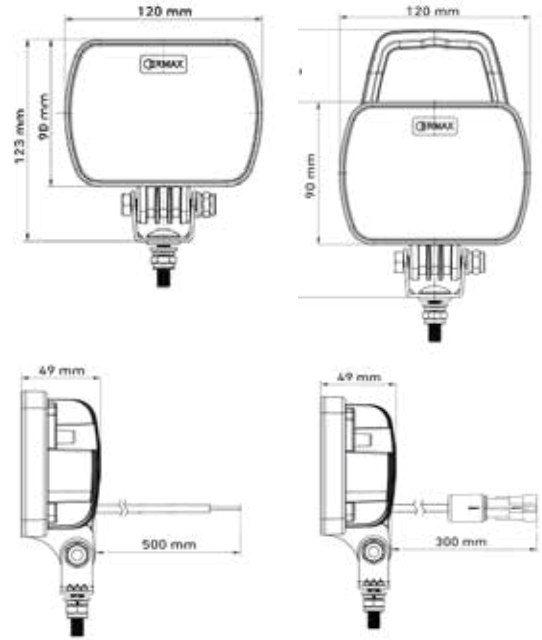
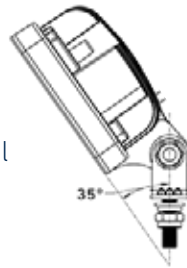


Pos. 1
Without on/off switch



Pos. 2
With bracket and on/
off switch

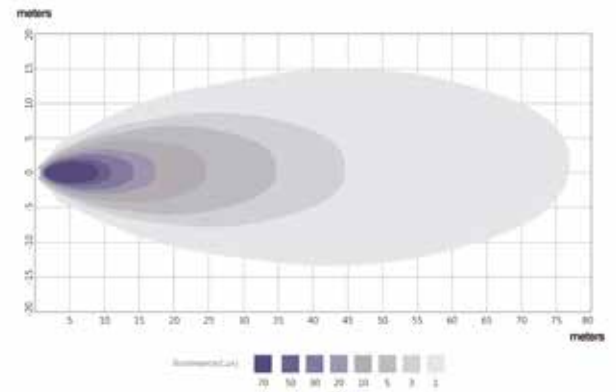
Approved as reverse light
- with 35° tilt when vertical
mounted



Description

- Lens: Polycarbonate
- Housing: Aluminium
- Colour temperature: 6500K
- Measurements W x H x D: 120 x 90 x 49 mm
- Height total: 168 mm
- Mounting bolt: 30 mm / M8
- Width of mounting: 33 mm
- Working temperature: -40 °C - + 65 °C
- IP rating: IP69K
- Wire colours: Brown = ground
Blue = +

Illumination



Bird's eye view 1,2 meter above the ground with an incline angle of 5°



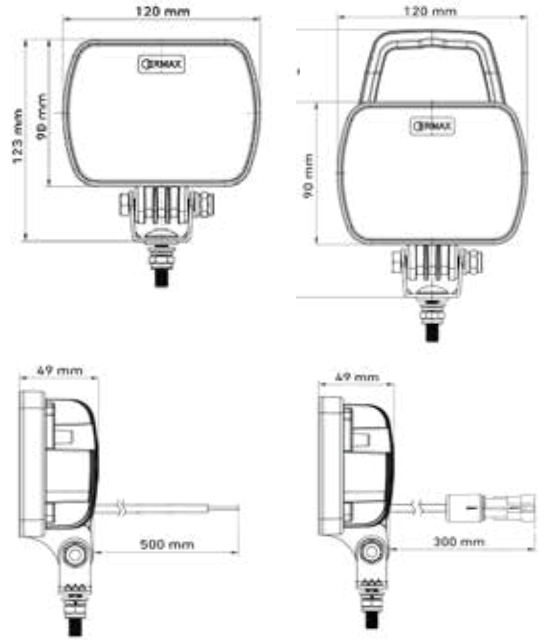
Operating voltage	Energy consumption	Connection	Cable length	Light source	Lumen Theoretical / effective	Light pattern	Pos.	Article No.
12/24V	25W	Open end	500 mm	12 high-powered LED	2.400 / 1.800	Flood	1	098 174 270
12/24V	25W	Super Seal plug and with switch	6.000 mm	12 high-powered LED	2.400 / 1.800	Flood	1	098 174 273
12/24V	25W	Super Seal plug	1.000 mm	12 high-powered LED	2.400 / 1.800	Flood	1	098 174 274
12/24V	25W	Super Seal socket	300 mm	12 high-powered LED	2.400 / 1.800	Flood	1	098 174 275
12/24V	25W	Super Seal socket	1.500 mm	12 high-powered LED	2.400 / 1.800	Flood	1	098 174 276
12/24V	25W	Integrated Deutsch (DT) socket	---	12 high-powered LED	2.400 / 1.800	Flood	1	098 174 277
12/24V	25W	Super Seal socket and with handle & switch	300 mm	12 high-powered LED	2.400 / 1.800	Flood	2	098 174 279

Work Lights LED - Housing made of Aluminium

Lumen 2.400



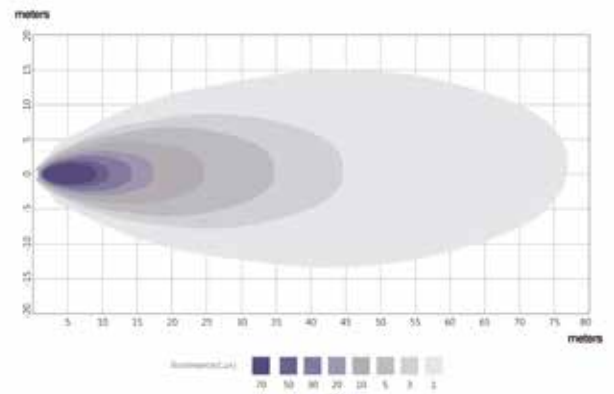
Pos. 1
Without on/off switch



Description

- Lens: Polycarbonate
- Housing: Aluminium
- Colour temperature: 6500K
- Measurements W x H x D: 120 x 90 x 49 mm
- Height total: 168 mm
- Mounting bolt: 30 mm / M8
- Width of mounting: 33 mm
- Working temperature: -40 °C - + 65 °C
- IP rating: IP69K
- Wire colours: Brown = ground
Blue = +

Illumination



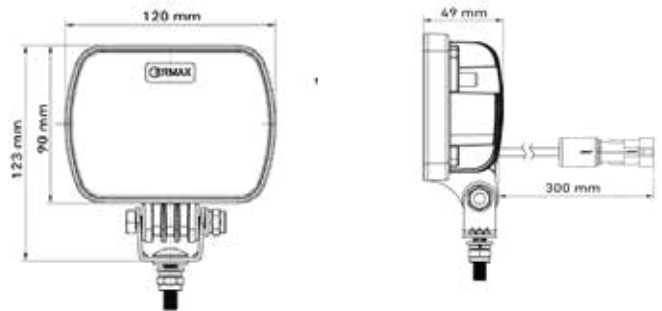
Bird's eye view 1,2 meter above the ground with an incline angle of 5°



Operating voltage	Energy consumption	Connection	Cable length	Light source	Lumen Theoretical / effective	Light pattern	Pos.	Article No.
12/24V	25W	Open end	1.500 mm	12 high-powered LED	2.400 / 1.800	Flood	1	098 174 270
12/24V	25W	Super Seal plug	1.000 mm	12 high-powered LED	2.400 / 1.800	Flood	1	098 174 274W
12/24V	25W	Super Seal socket	300 mm	12 high-powered LED	2.400 / 1.800	Flood	1	098 174 275W

Work Lights LED - Housing made of Aluminium

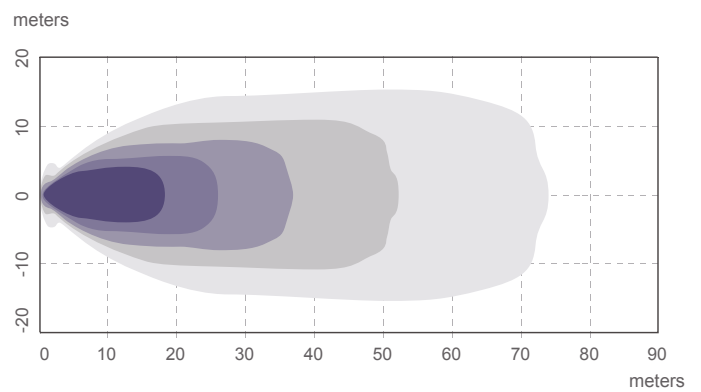
Lumen: 3.200



Description

Lens:	Polycarbonate
Housing:	Aluminium
Colour temperature:	6500K
Measurements W x H x D:	120 x 90 x 49 mm
Height total:	168 mm
Mounting bolt:	30 mm / M8
Width of mounting:	33 mm
Working temperature:	-40 °C - + 65 °C
IP rating:	IP69K
Wire colours	Brown = ground Blue = +

Illumination



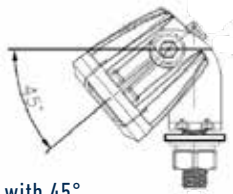
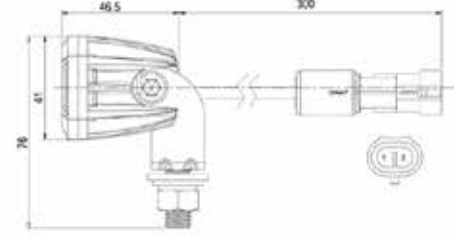
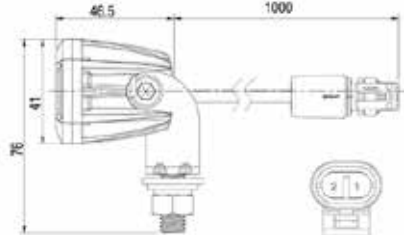
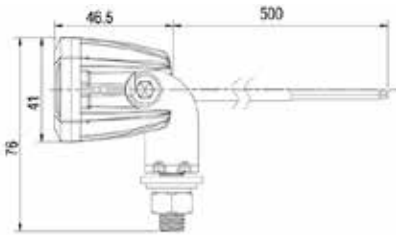
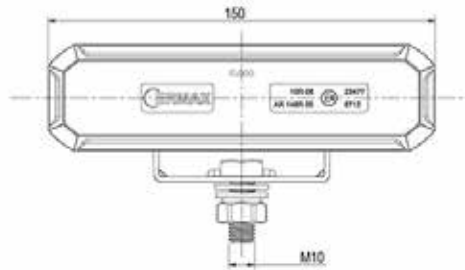
Bird's eye view 1,2 meter above the ground with an incline angle of 5°



Operating voltage	Energy consumption	Connection	Cable length	Light source	Lumen Theoretical / effective	Light pattern	Pos.	Article No.
12/24V	25W	Super Seal socket	300 mm	12 LEDs	3.200 / 2.400	Flood	1	098 174 285
12/24V	25W	Integrated Deutsch (DT) socket	---	12 LEDs	3.200 / 2.400	Flood	2	098 174 287

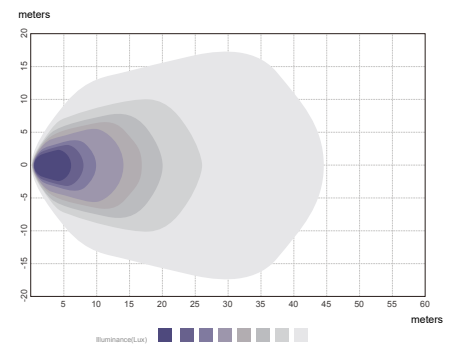
Revers light LED - 6 diodes

Lumen: 2.700



Approved as reverse light with 45° tilt angle mounted vertically

Illumination



Description

Lens: Impact-resistant polycarbonate
 Housing: Aluminium
 Colour temperature: 6500K
 Dimensions, W x H x D: 150 x 41 x 46 mm
 Light height, total: 54 mm
 Bolt size: 22 mm/M10
 Width bracket: 63 mm

Working temperature: -40°C to + 65°C
 IP Rating: IP69K

Mounting bracket in stainless steel with polycarbonate washer

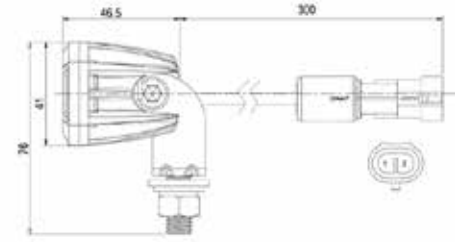
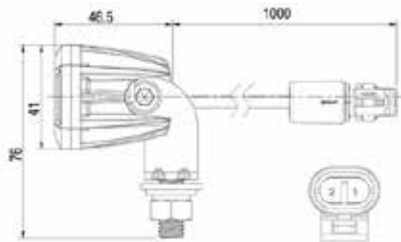
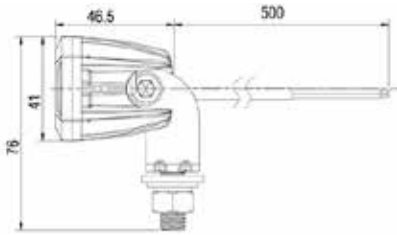
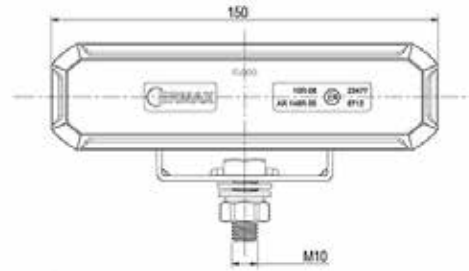
Wire colours:
 Brown = minus
 Blue = +



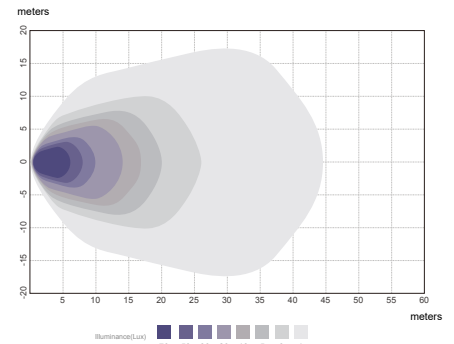
Voltage	Con- sumption	Connection	Cable length	Light source	Lumen, theoretical/effective	Light pattern	Item no.
12/24V	30W	Open end	500 mm	6 High Power LEDs	2.700 / 2.000	Flood	098 174 360
12/24V	30W	Super-Seal plug	1.000 mm	6 High Power LEDs	2.700 / 2.000	Flood	098 174 364
12/24V	30W	Super-Seal socket	300 mm	6 High Power LEDs	2.700 / 2.000	Flood	098 174 365
12/24V	30W	Super-Seal socket	1.500 mm	6 High Power LEDs	2.700 / 2.000	Flood	098 174 366
12/24V	30W	Integrated Deutsch (DT2) socket	--	6 High Power LEDs	2.700 / 2.000	Flood	098 174 367

Work light LED - 6 diodes

Lumen: 2.700



Illumination



Description

Lens: Impact-resistant polycarbonate
 Housing: Aluminium
 Colour temperature: 6500K
 Dimensions, W x H x D: 150 x 41 x 46 mm
 Light height, total: 54 mm
 Bolt size: 22 mm/M10
 Width bracket: 63 mm

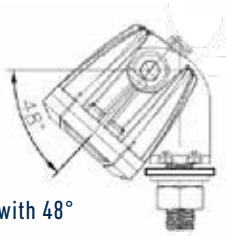
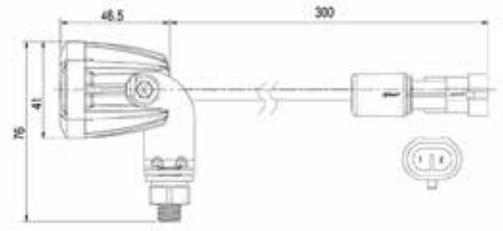
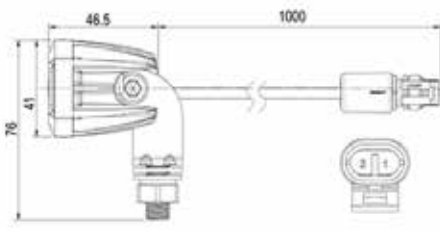
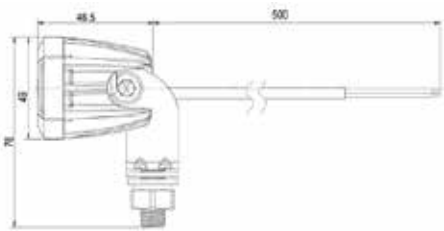
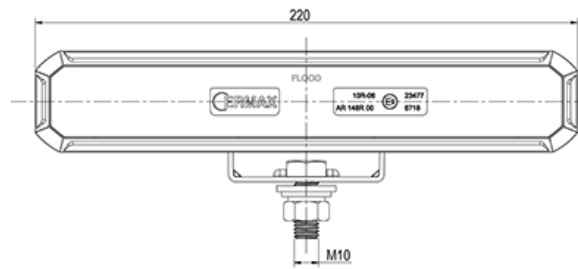
Working temperature: -40°C to + 65°C
 IP Rating: IP69K
 Mounting bracket in stainless steel with polycarbonate washer
 Wire colours:
 Brown = minus
 Blue = +



Voltage	Con- sumption	Connection	Cable length	Light source	Lumen, theoretical/effective	Light pattern	Item no.
12/2 V	30W	Super-Seal plug	1.000 mm	6 High Power LEDs	2.700 / 2.000	Flood	098 174 364W
12/24V	30W	Super-Seal socket	300 mm	6 High Power LEDs	2.700 / 2.000	Flood	098 174 365W

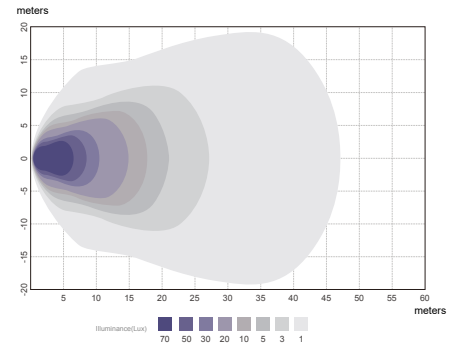
Reverse light LED - 8 diodes

Lumen: 3.600



Approved as reverse light with 48° tilt angle mounted vertically

Illumination



Description

Lens: Impact-resistant polycarbonate
 Housing: Aluminium
 Colour temperature: 6500K
 Dimensions, W x H x D: 220 x 41 x 46 mm
 Light height, total: 54 mm
 Bolt size: 22 mm/M10
 Width bracket: 63 mm

Working temperature: -40°C to + 65°C
 IP Rating: IP69K
 Mounting bracket in stainless steel with polycarbonate washer
 Wire colours:
 Brown = minus
 Blue = +



Voltage	Con- sumption	Connection	Cable length	Light source	Lumen, theoretical/effective	Light pattern	Item no.
12/24V	40W	Open end	500 mm	8 High Power LEDs	3.600 / 2.700	Flood	098 174 380
12/24V	40W	Super-Seal plug	1,000 mm	8 High Power LEDs	3.600 / 2.700	Flood	098 174 384
12/24V	40W	Super-Seal socket	300 mm	8 High Power LEDs	3.600 / 2.700	Flood	098 174 385
12/24V	40W	Super-Seal socket	1.500 mm	8 High Power LEDs	3.600 / 2.700	Flood	098 174 386
12/24V	40W	Integrated Deutsch (DT2) socket	--	8 High Power LEDs	3.600 / 2.700	Flood	098 174 387

Work light - Scene light

Lumen: 4.600

Scene light provides powerful, high-intensity illumination for safe and efficient operation in demanding environments – the ideal solution when you need to light up a specific area.

This compact work light features a fixed 45-degree mounting angle and offers flexible installation options. As it is not reverse-approved, it can be mounted high or wherever needed to ensure optimal working illumination.

It can also be installed on the undercarriage of your vehicle for a striking styling effect. A higher mounting position provides a wider illuminated area, while a lower position creates a more focused lighting zone.



Description

Lens:	Polycarbonate	IP Rating:	IP69K
Housing:	Aluminium	Cable:	2 x 0,5 mm ²
Colour temperature:	6500K	Wire colours:	
Dimensions, W x H x D:	150 x 47 x 35 mm	Black = minus	
Mounting holes	134 mm / Ø5,5 mm	Red = +	
Working temperature:	-30°C to + 85°C		

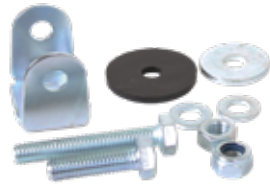
Radio interference (CISPR 25): Class 3

Voltage	Con- sumption	Connection	Cable length	Light source	Lumen, theoretical/effective	Light pattern	Item no.
12/24V	58W	Open end	400 mm	58 x 1 LEDs	4.600 /2.000	Flood	098 174 350

Plug connections – spare parts and accessories

ERMAX Reverse Lights & Work Lights

The ERMAX plug connector accessory programme offers solutions for almost any application. Matching mount brackets can also be found in our programme.



Pos. 1



Pos. 2



Pos. 3



Pos. 4



Pos. 5



Pos. 6



Pos. 7



Pos. 8

Mounting bracket for 37 mm light fixation - Kit set with	1	098 296 174
Mounting bracket for work lamp	2	098 192 972
Super Seal plug 2 poled, Diameter yellow seal \varnothing 1,8 - 2,4 mm, Blade receptacle 0,5 - 1,0 mm ²	3	099 110 019
Super Seal socket 2 pole, Diameter yellow seal \varnothing 1,8 - 2,4 mm, Blade receptacle 0,5 - 1,0 mm ²	4	099 110 018
Rubber grommet for 2 pole Super Seal plug	5	099 110 712
T-coupling for 2 pole Super Seal plug (3 socktes)	6	099 111 415
Deutsch (DT) plug, with blade receptacles 0,75-2,0 mm ²	7	098 291 690
Deutsch (DT) socket, with blade terminals 0,75-2,0 mm ²	8	099 111 043

Warning strobe lights



LED Warning strobe light

Flashing lights - two variants

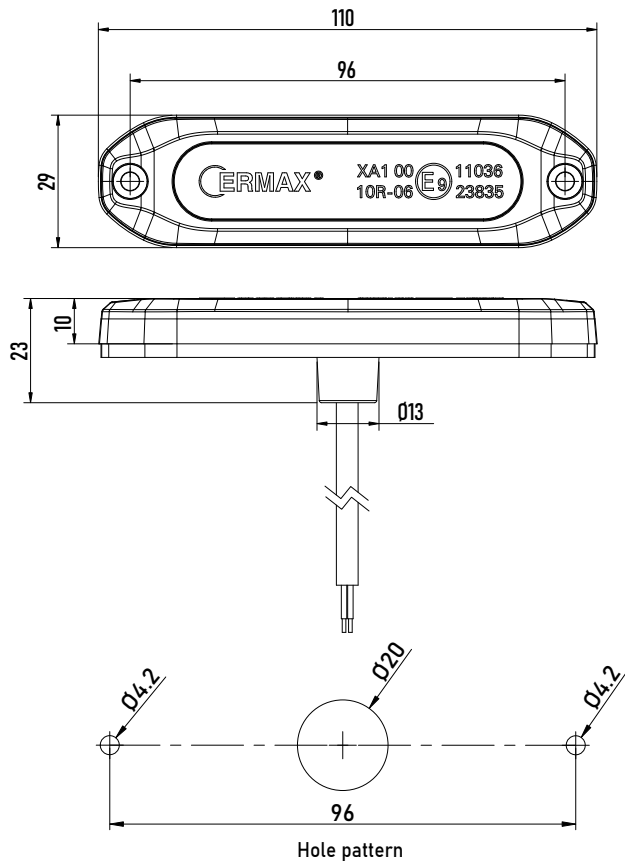
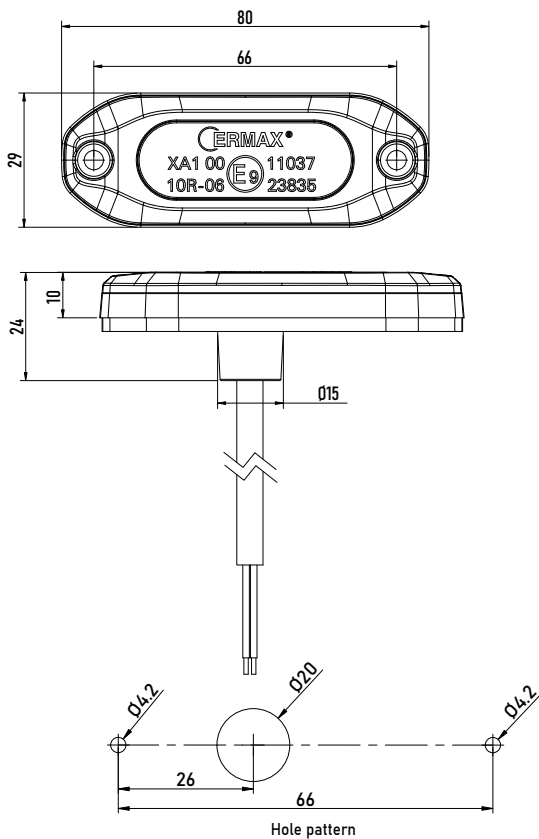
- Slim-Line warning light with 3 or 6 LED's
- Compact and robust design
- 10 flash patterns – flash colour amber
- Flat surface installation or integrable from behind
- Lens and bezel of impact resistant polycarbonate
- Housing of aluminium
- Open end or Super Seal connection
- Multi voltage 10-32V
- Certified for special transport vehicles XA1
- ADR approved



Pos. 1

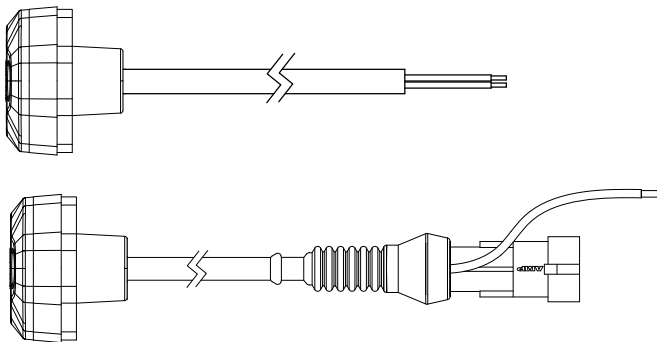


Pos. 2

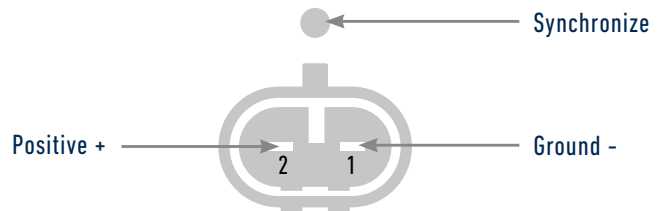


LED Warning strobe light 12/24V

Technical details



Connections



Selection of flash pattern

Briefly connect (0.5 - 2 sec) the green wire to +, to change the flash pattern.
If the green wire is connected to + more than 5 sec, the flash pattern resets to flash pattern 1.

Pin	Connection	
Pin 2	Positive +	Red
Pin 1	Ground -	White
-	Synchronization	Green

Synchronization

In order to synchronize multiple individual lights, all lights must be set to the same flash pattern and be connected with the green wire.

Assembly instruction

Can be found at www.ermasonline.dk

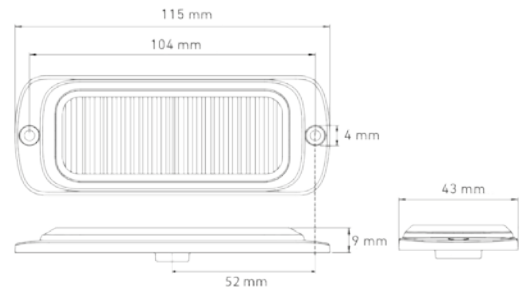
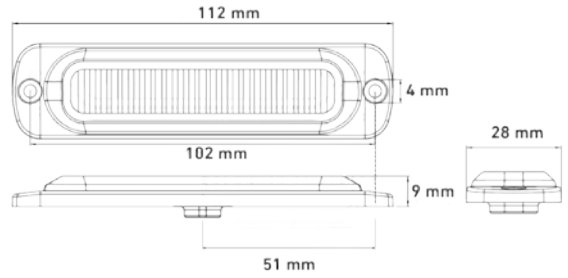
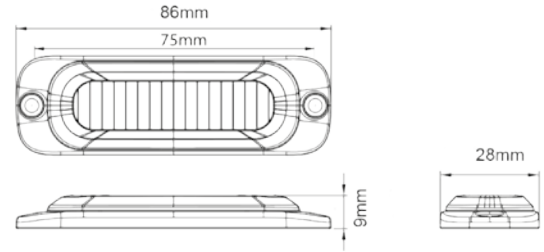
Description

Lens/Bezel: Polycarbonate
Housing: Aluminium
Flash colour: Amber
Flash pattern: 10
Mounting: Hole Ø4.5 mm
Working temperature: -40°C - +60°C
IP Rating: IP69K



Voltage	Cable length	Connection	Consumption	Dimension B x H x D	Bolt distance	Light source	Flash pattern	Pos	Artikel no.
12/24V	2500 mm	Open end	6,3W	80 x 29 x 10 mm	66 mm	3 x LED	10	1	098 286 430
12/24V	300 mm	Super Seal socket	6,3W	80 x 29 x 10 mm	66 mm	3 x LED	10	1	098 286 435
12/24V	2500 mm	Open end	17W	110 x 29 x 10 mm	96 mm	6 x LED	10	2	098 286 460
12/24V	300 mm	Super Seal socket	17W	100 x 29 x 10 mm	96 mm	6 x LED	10	2	098 286 465

Warning LED strobe lights



Description

Lens: Impact resistant clear polycarbonate
 Housing: Impact resistant aluminum
 Working temperature: -30°C to +80°C
 Flash color: Amber
 Mounting: Hole Ø4 mm
 IP-Rating: IP69K

Approved for horisontial mounting. Build-in- and programming instructions are available at: www.ermasonline.dk



Operating voltage	XA1/XA2	Connection	Cable length	Bolt distance	Dimension	Light source	Flash pattern	Pos.	Article No.
12/24V	XA1	Open end	2500 mm	77 mm	86 x 9 x 28 mm	3 x LED	12	1	098 286 444
12/24V	XA1	Super Seal socket	250 mm	77 mm	86 x 9 x 28 mm	3 x LED	12	2	098 286 445
12/24V	XA1	Open end	2500 mm	102 mm	112 x 9 x 28 mm	6 x LED	19	3	098 286 446
12/24V	XA1	Super Seal socket	300 mm	102 mm	112 x 9 x 28 mm	6 x LED	19	4	098 286 447
12/24V	XA2	Open end	2500 mm	104 mm	115 x 9 x 43,4 mm	12 x LED	23	5	098 286 448

Warning lights - beacons



Small, compact and long durability

3 flash patterns all with R65 approval and CISPR 25 class 3 - **PREMIUM**

The new warning light from ERMAX

The warning light with LED technology convinces with a modern design and robust construction. The compact design of the series is suitable for all kinds of heavy vehicles, guaranteeing visibility and safety.

Whether single flash, double flash or rotating light, all 3 flash patterns can be set in compliance with R65 – unique in Europe!

The mounting possibilities are either surface mounting or pole mounting/DIN. The warning lights are available with orange or transparent lens.

This series is E-approved according to ECE R65 and also approved with CISPR 25 class 3 and ADR - and due to the high degree of electromagnetic compatibility the warning light can be placed anywhere.



Surface mounting



Pole mounting/DIN

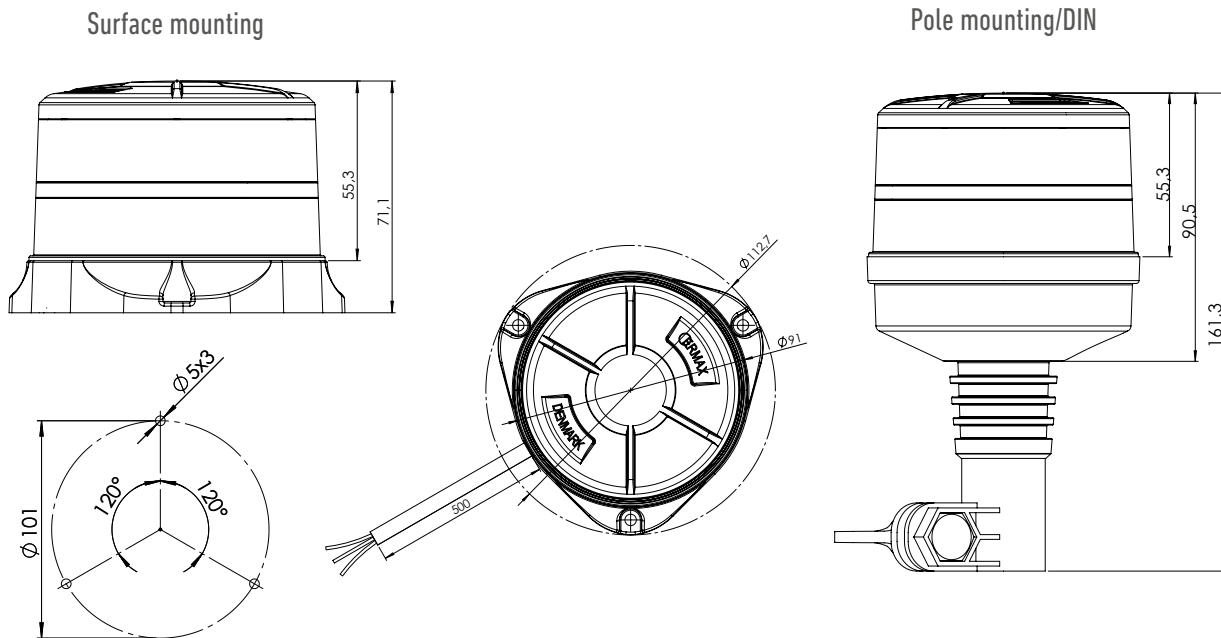


ERMAX warning lights - Why ?

- 1 Newest light and LED technology**
Small and powerful, long durability and an optimum signal picture with a small power consumption..
- 2 Unique design**
Unique reflection design with clear lens and very strong light.
- 3 Long lifetime and durability**
Impact-resistant lens of polycarbonate and housing top of aluminium.
- 4 3 Flash Patterns approved**
All 3 flash patterns with high warning effect are ECE R65 compliant - unique in Europe
- 5 Unique availability**
The compact design offers flexibility in mounting.
- 6 Absorb vibrations**
The flexible pipe socket avoids damages to the lights by impact or collision.
- 4 2 warning signals**
Choose between flashing warning signal or rotating warning signal.
- 6 First-class approved quality**
All products go through our strict quality criteria and testing methods to ensure the high product quality.

Warning lights LED 12/24V

Technical details - Premium variants with 3 flash patterns, R65 approval and CISPR 25 class 3



Description - Surface mounting

Lens:	Impact resistant polycarbonate
Housing:	Impact resistant polycarbonate
Housing top:	Aluminium
Sealing:	EVA
Light colour:	Amber
Measures Ø x H:	Ø115 x 71 mm
Hole pattern:	Ø101 mm / 3 x 87 mm / Ø4,5 mm
Working temperature:	-40°C to +65°C
IP-Rating:	IP69K

Description - Pole mounting/DIN

Lens:	Impact resistant polycarbonate
Housing:	TPE
Housing top:	Aluminium
Light colour:	Amber
Measures Ø x H:	Ø91 x 161 mm
Working temperature:-	40°C to +65°C
IP-Rating:	IP69K

Radio interference (CISPR 25): Class 3



Mounting	Colour light lens	Connections	Measures	Voltage	Consumption - Max	Flash pattern	Artikel no.
Surface	Transperent glass	500 mm cable open end Ø6 mm, 3 x 0,75 mm ²	Ø113 x 71 mm	12/24V	27W	3 Flashpattern - all R65 - Single 480 ms - Double 400 ms - Rotating 400 ms	098 287 200
Surface	Amber glass	500 mm cable open end Ø6 mm, 3 x 0,75 mm ²	Ø113 x 71 mm	12/24V	27W		098 287 205
Pole (DIN)	Transperent glass	Integrated plug in the socket, DIN 4165	Ø91 x 161 mm	12/24V	27W		098 287 230
Pole (DIN)	Amber glass	Integrated plug in the socket, DIN 4165	Ø91 x 161 mm	12/24V	27W		098 287 235

Spareparts

Seal - Suitable for 098 287 200 + 098 287 205 without adapter ring

098 295 250

When more flash patterns are needed

10 flash patterns - 1 flash pattern with R65 approval - STANDARD

These 4 variants have similar characteristics as the premium types – the only difference is that this series has a cover of polycarbonate instead of aluminium due to the higher light output of the premium version. Furthermore, the standard version has 10 different flash patterns – of these 1 flash pattern with R65 approval.

The warning lights are available with orange or transparent lens and the mounting possibilities are either surface mounting or pole mounting/DIN, and the series are ADR approved. The two types for surface mounting are delivered with an adapter for Ø130 mm hole configuration.



Surface mounting



Adapter ring

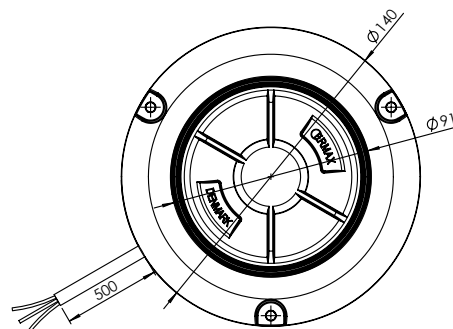


Pole mounting/DIN



10 flash patterns

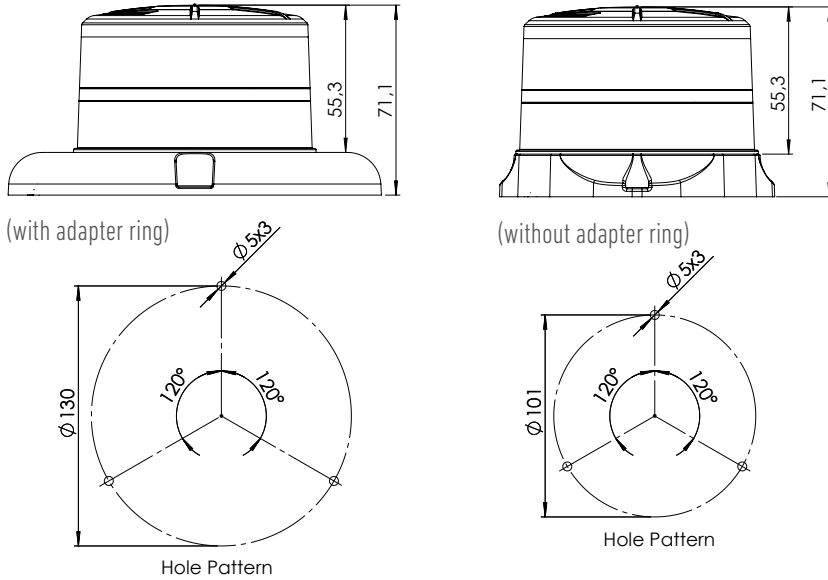
- Single flash 480ms (Reg. 65 approved)
- Single flash 800ms
- Double flash 400ms
- Double flash 800ms
- Triple flash
- Quad flash
- ISO-fase flash 400ms
- ISO-fase flash 800ms
- Rotating 400ms
- Rotating 800ms



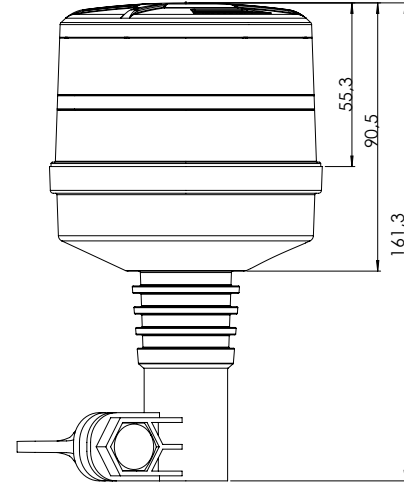
Warning lights LED 12/24V

Technical details - **Standard** variants with 10 flash patterns

Surface mounting



Pole mounting/DIN



Description - Surface mounting with adapter ring

Lens: Impact resistant polycarbonate
 Housing: Impact resistant polycarbonate
 Housing top: Impact resistant polycarbonate
 Sealing: EVA
 Light colour: Amber
 Measures Ø x H: Ø140 x 71 mm
 Hole pattern: Ø130 mm / 3 x 112 mm / Ø4,5 mm
 Working temperature: -40°C to +65°C
 IP-Rating: IP69K

Description - Pole mounting/DIN

Lens: Impact resistant polycarbonate
 Housing: TPE
 Housing top: Impact resistant polycarbonate
 Light colour: Amber
 Measures Ø x H: Ø91 x 161 mm
 Working temperature: -40°C to +65°C
 IP-Rating: IP69K



Mounting	Colour light lens	Connections	Measures	Voltage	Consumption	Flash pattern	Artikel no.
Surface	Transperent glass	500 mm cable open end Ø6 mm, 3 x 0,75 mm ²	Ø140 x 71 mm	12/24V	23W	See opposite page	098 287 250
Surface	Amber glass	500 mm cable open end Ø6 mm, 3 x 0,75 mm ²	Ø140 x 71 mm	12/24V	23W		098 287 255
Pole (DIN)	Transperent glass	Integrated plug in the socket, DIN 4165	Ø91 x 161 mm	12/24V	23W		098 287 280
Pole (DIN)	Amber glass	Integrated plug in the socket, DIN 4165	Ø91 x 161 mm	12/24V	23W		098 287 285

Spareparts

The adapter ring makes it possible to adapt the LED beacon to mounting holes Ø130 mm - Measurements, Ø x H: Ø140 x 16 mm Bolt distance: Ø130 mm / 3 x 112 mm / Ø4,5 mm Material: Polycarbonate	098 292 640
Seal - Suitable for 098 287 250 + 098 287 255 with adapter ring	098 295 251
Seal - Suitable for 098 287 250 + 098 287 255, if adapter ring is not used	098 295 250

Warning lights LED 12/24V

Technical details and flash pattern selection

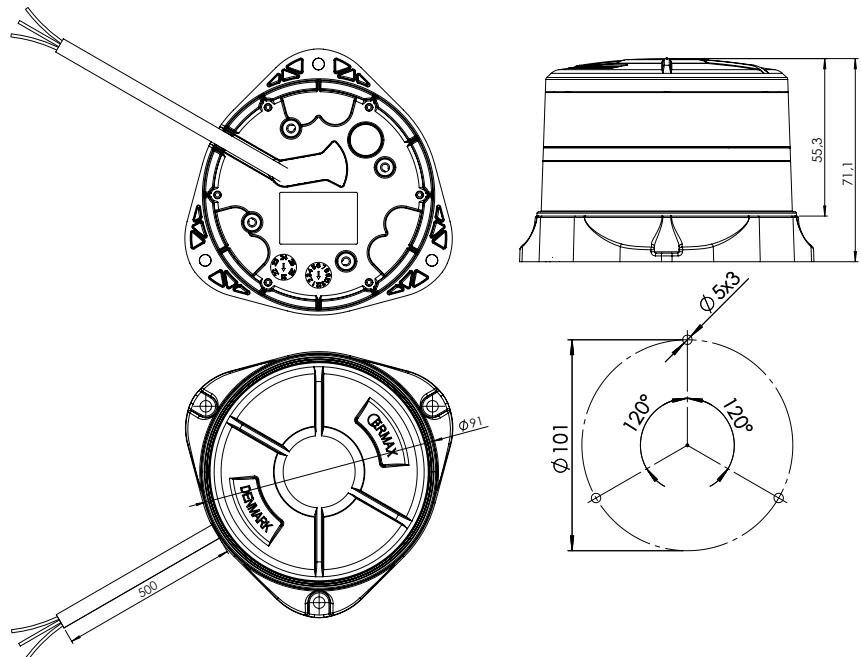
Surface mounting

Connection:

Red: Permanent power supply (+)

Black: Ground (-)

Yellow: Choose flash pattern / synchronizing



Choose flash pattern - Surface mounting

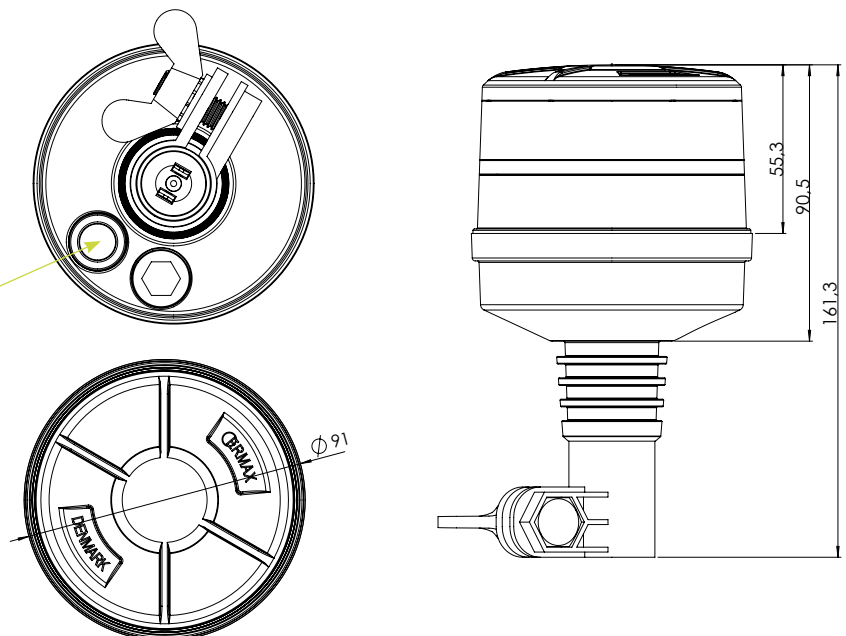
Apply yellow cable to +, hold briefly (0.5-2 sec) and select flash pattern.

To synchronize more lights, all lights must be adjusted to the same flash pattern. Then all yellow cables will be connected to each other.

If the yellow cable is placed at + for more than 2 seconds, the light return to flash pattern 1.

Pole mounting/DIN

Press the bottom in order to change the light pattern



Choose flash pattern - Pole mounting/DIN

To choose flash pattern, press the red bottom shortly (0.5 - 2 sec).

If pressed at the red bottom for more than 2 seconds, the light return to flash pattern 1.

LED Compact warning light 12/24V

10 flash patterns, of which 1 flash pattern is R65 approved. Without ADR approval.



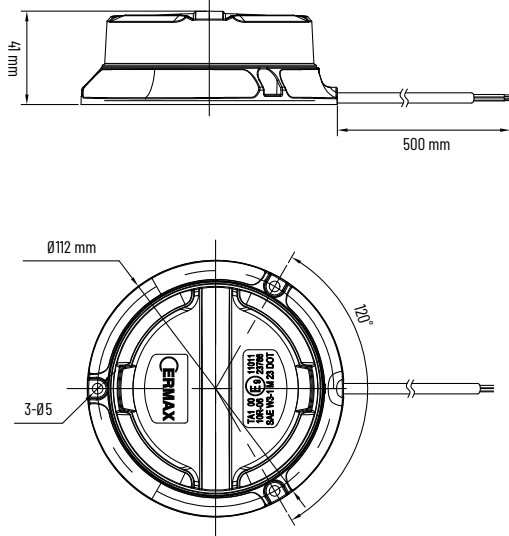
10 flash patterns

- Single flash 480ms (Reg. 65 approved)
- Single flash 800ms
- Double flash 480ms
- Quad flash 480 ms
- Strobe 100 ms
- Rotating clockwise 480 ms
- Rotating counterclockwise 480 ms
- Symmetrically rotating 240 ms
- Symmetrically rotating (double flash) 480 ms
- Steady light

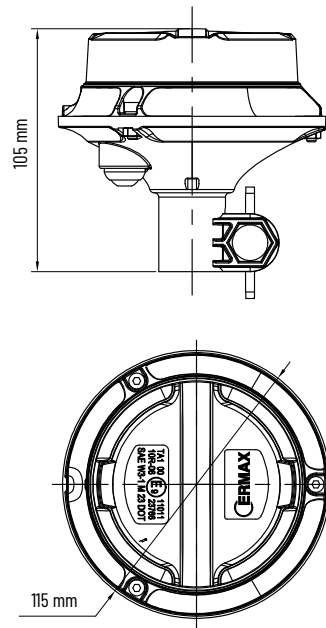
LED Compact warning light 12/24V

Technical details - with 10 flash patterns

Surface mounting



Pole mounting



Description - Surface mounting with adapter ring

Lens: Polycarbonate
 Housing: Thermally conductive composite material
 Sealing: EVA-Foam
 Light colour: Amber
 Measures Ø x H: Ø112 x 41 mm
 Hole pattern: Ø103 mm / 3 x 89 mm / Ø4,6 mm
 Working temperature: -40°C to +65°C
 IP-Rating: IP69K

Connection:

Red = Positive (+)
 Black = Ground (-)
 Brown = Flash pattern selection/synchronization
 Yellow = Asynchronization

Description - Pole mounting/DIN

Lens: Polycarbonate
 Housing: Thermally conductive composite material
 Light colour: Amber
 Measures Ø x H: Ø115 x 105 mm
 Working temperature: -40°C to +65°C
 IP-Rating: IP69K

The flash pattern is selected using the red button on the bottom of the light housing



Mounting	Colour light lens	Connections	Measures	Voltage	Consumption	Flash pattern	Artikel no.
Surface	Transparent glass	500 mm cable open end Ø6 mm, 4 x 0,3 mm ²	Ø112 x 41 mm	12/24V	26W	10 variants	098 287 000
Surface	Amber glass	500 mm cable open end Ø6 mm, 4 x 0,3 mm ²	Ø112 x 41 mm	12/24V	26W		098 287 005
Pole (DIN)	Transparent glass	Integrated plug in the socket, DIN 4165	Ø115 x 105 mm	12/24V	26W	See opposite page	098 287 030
Pole (DIN)	Amber glass	Integrated plug in the socket, DIN 4165	Ø115 x 105 mm	12/24V	26W		098 287 035

Warning beacons LED 12-24V - ECE REG.65



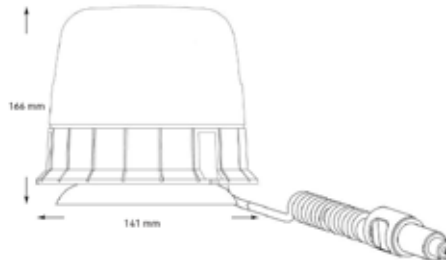
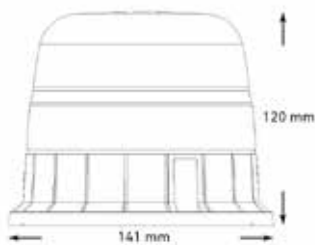
Pos. 1



Pos. 2



Pos. 3



Description

Lens: Polycarbonate
 Housing: Compound thermoplastic
 Working temperature: -40°C - +60°C
 Color: Amber

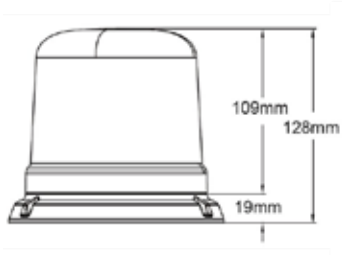


Mounting	IP Rating	Connection	Dimension	Operating voltage	Consumption	Pos.	Article No.
Firm surface mounting	IP69K	150 mm cable Open end	Ø141 x 120 mm	12/24V	9W	1	098 287 400
Magnetic base	IP69K	Coil cable with plug	Ø141 x 166 mm	12/24V	9W	2	098 287 420
For mounting bushes	IP69K	Integrated plug in Socket	Ø128 x 125 mm	12/24V	9W	3	098 287 410

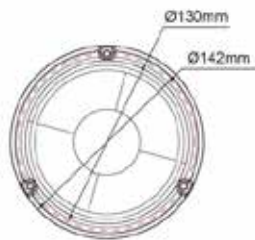
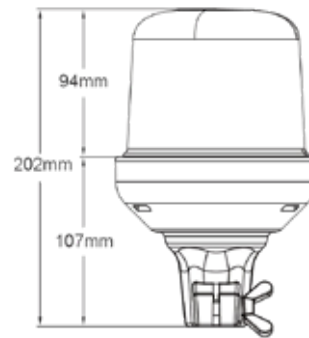
Warning beacons LED 12-24V - ECE REG.65



Pos. 1



Pos. 2



Hole layout / mounting

Description

Lens:	Polycarbonate
Housing:	Polycarbonate
Working temperature:	-30°C to +65°C
LED units:	10 x 3W
Color:	Amber

Installation- and programming instructions at: www.ermaxonline.dk

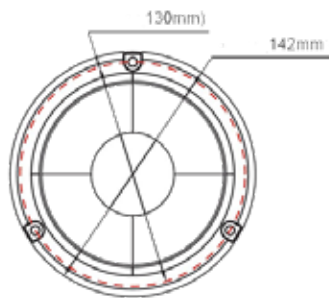
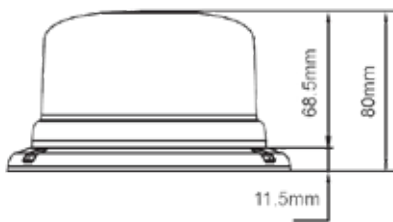


Mounting	IP Rating	Connection	Dimension	Operating voltage	Consumption (depending on f lash patterns)	Flash pattern	Pos.	Article No.
Firm mounting	IP66	400 mm cable Open end	Ø142 x 128 mm	12/24V	21-42W	11	1	098 287 938
For mounting bushes	IP66	Integrated plug in Socket	Ø130 x 202 mm	12/24V	21-42W	11	3	098 287 936

Warning beacons LED 12-24V - ECE REG.65



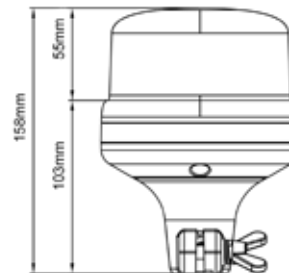
Pos. 1



Hole layout / mounting



Pos. 2



Description

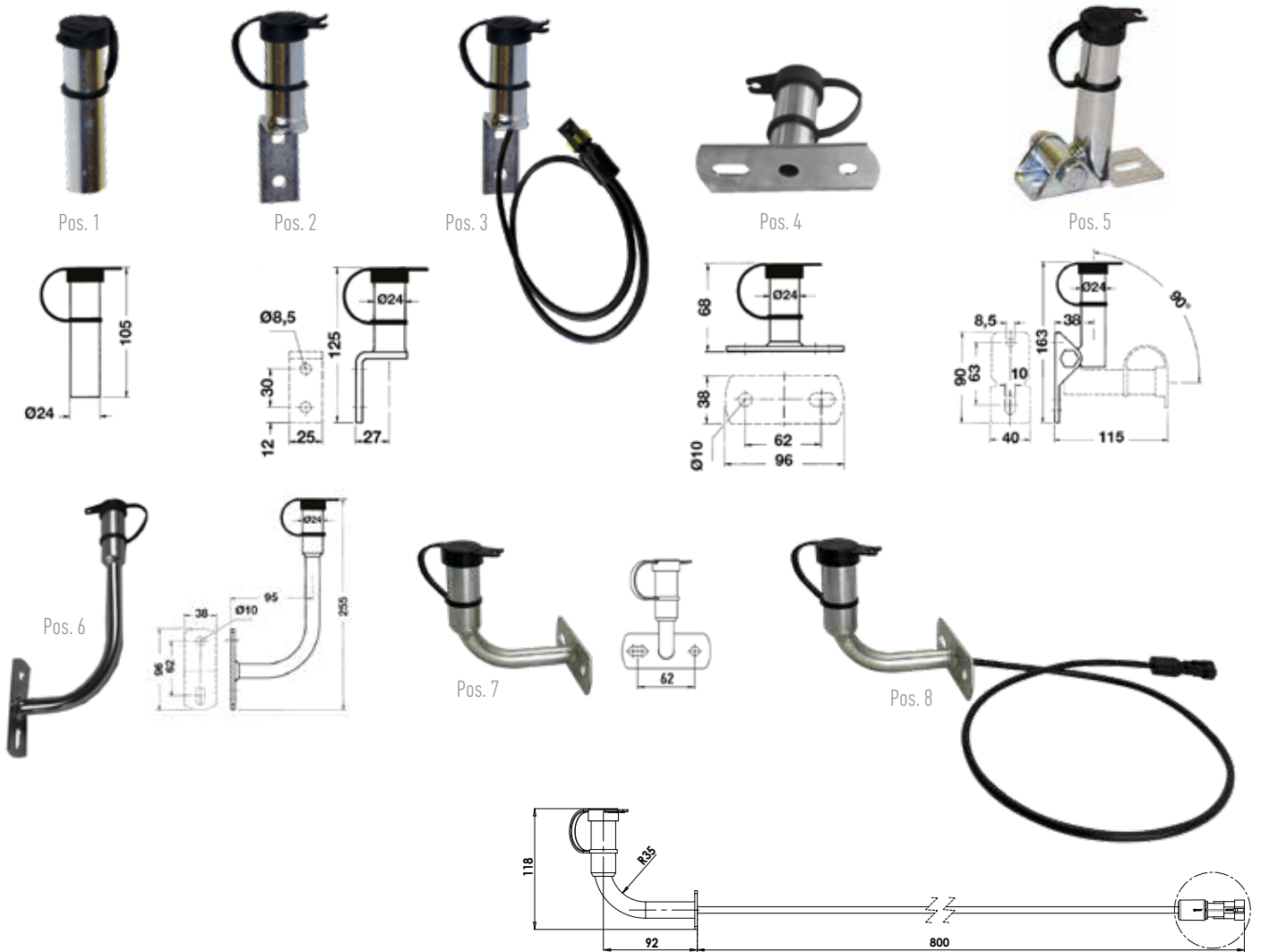
Lens: Polycarbonate
 Housing: Polycarbonate
 Working temperature: -30°C to +65°C
 LED units: 8 x 3W
 Color: Amber

Installation- and programming instructions at: www.ermaxonline.dk



Mounting	IP Rating	Connection	Dimension	Operating voltage	Consumption (depending on flash patterns)	Flash pattern	Pos.	Article No.
Firm mounting	IPX5	400 mm cable Open end	Ø142x 80 mm	12/24V	15-30W	11	1	098 287 944
For mounting bushes	IPX5	Integrated plug in Socket	Ø130 x 158 mm	12/24V	15-30W	11	2	098 287 942

Mounting equipment for Warning beacons






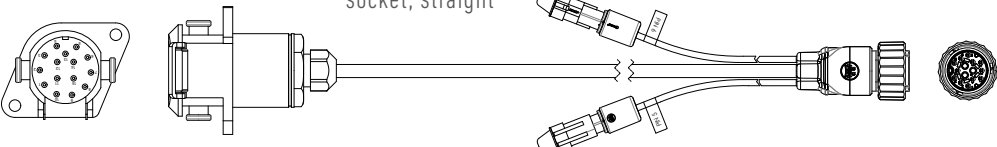
Galvanized steel tube and with protection cap

DIN Norm	Form	Mounting	Dimension	Connection	Cable	Pos.	Article No.
DIN 72 591	Straight	-	Ø24 x 105 mm	2 poled socket	--	1	098 295 561
DIN 72 591	Straight	Angled bracket	Ø24 x 125 mm	2 poled socket	--	2	098 295 562
DIN 72 591	Straight	Angled bracket	Ø24 x 125 mm	2 poled socket	900 mm cable with Super Seal plug	3	098 295 595
DIN 72 591	Straight	Flush mounting	Ø24 x 128 mm	2 poled socket	--	4	098 295 564
DIN 72 591	Straight	adjustable bracket	Ø24 x 115 mm	2 poled socket	--	5	098 295 567
DIN 72 591	90° angled	Flush mounting	Ø24 x 255 mm	2 poled socket	--	6	098 295 565
DIN 72 591	90° angled	Flush mounting	Ø24 x 118 mm	2 poled socket	--	7	098 295 553
DIN 72 591	90° angled	Flush mounting	Ø24 x 118 mm	2 poled socket	800 mm cable with Super Seal socket	8	098 295 555



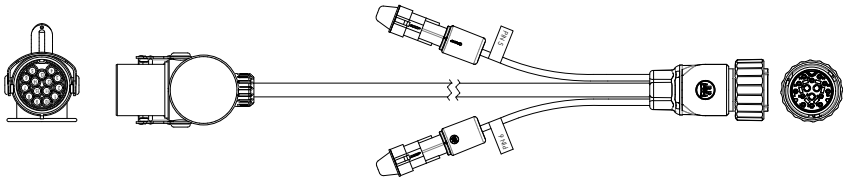
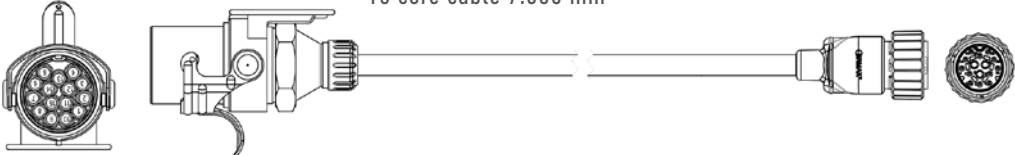
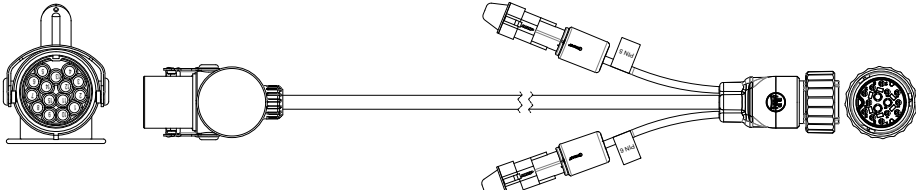

Cables



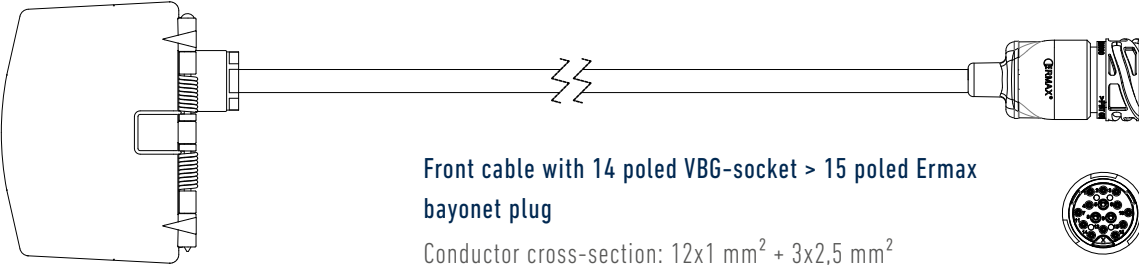
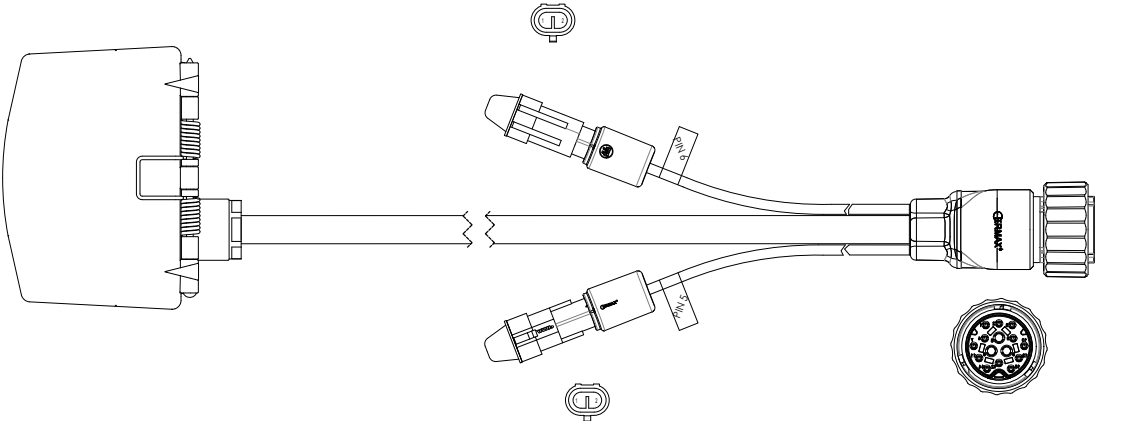
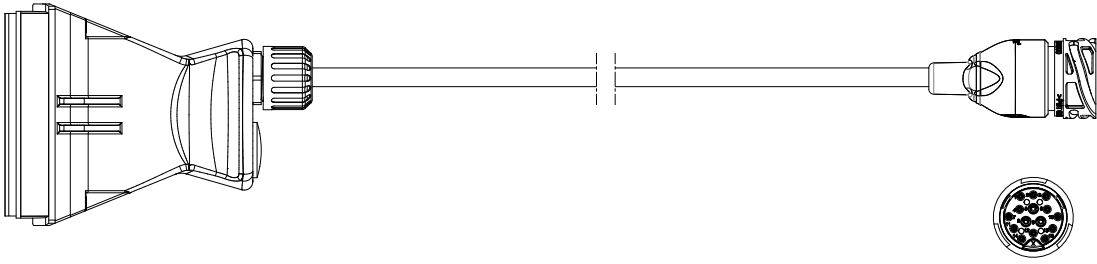
Front cable

Application/ Description	Article No.
<p>Front cable with 15 poled socket, straight - ISO 12098</p> <p>With Ermax 15 poled bayonet plug Conductor cross-section: $12 \times 1 \text{ mm}^2 + 3 \times 2,5 \text{ mm}^2$ Cable type: FLRYY / PVC</p> <p>15 core cable 600 mm socket, straight</p> <p>15 core cable 1.700 mm socket, straight</p> <p>15 core cable 6.000 mm socket, straight</p> <p>15 core cable 13.000 mm socket, straight</p> <p>15 core cable 15.000 mm socket, straight</p>	
	<p>194 006 500</p> <p>194 017 500</p> <p>194 060 500</p> <p>194 130 500</p> <p>194 150 500</p>
<p>SIMAC Friendly</p> <p>Front cable with 15 poled socket, straight - ISO 12098</p> <p>With Ermax 15 poled bayonet plug 2x2 core outlet with Super Seal socket ISO 12098 pin 5 position left + pin 6 position right ISO Standard: 12098 Conductor cross-section: $12 \times 1 \text{ mm}^2 + 3 \times 2,5 \text{ mm}^2$ With Ermax bayonet plug Cable type: FLRYY / PVC</p> <p>15 core cable 600 mm socket, straight</p> <p>15 core cable 4.000 mm socket, straight</p> <p>15 core cable 7.000 mm socket, straight</p>	
	<p>194 006 501</p> <p>94 040 501</p> <p>194 070 501</p>

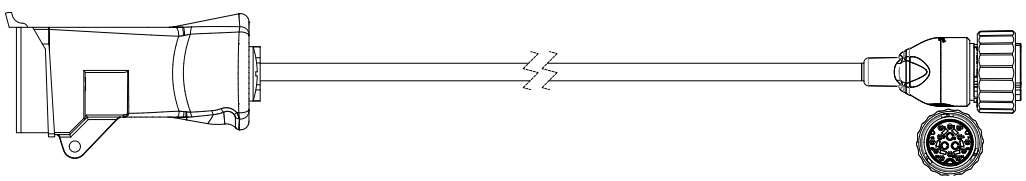
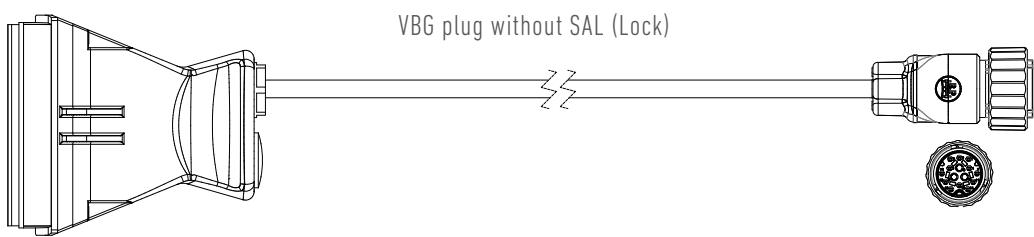
Front cable

	Application/ Description	Article No.
	<p>Front cable with 15 poled plug, straight - ISO 12098</p> <p>With Ermax 15 poled bayonet plug Conductor cross-section: $7 \times 1 \text{ mm}^2 + 2 \times 2,5 \text{ mm}^2$ Cable type: FLRY / PVC</p> <p>9 core cable 4.800 mm 9 cores connected as pin 12 (AUX3)</p>	<p></p> <p>294 048 100</p>
<p>SIMAC Friendly</p> 	<p>This front cable is SIMAC Friendly in connection with adapter 394 003 504</p> <p>9 core cable 3.000 mm 2x2 pin outlet with Super Seal socket, pin 5, LH position light + pin 6, RH position light</p>	<p>294 030 101</p>
 <p>SIMAC Friendly</p> 	<p>Front cable with 15 poled plug, straight - ISO 12098</p> <p>With Ermax 15 poled bayonet plug Conductor cross-section: $12 \times 1 \text{ mm}^2 + 3 \times 2,5 \text{ mm}^2$ Cable type: FLRY / PVC</p> <p>15 core cable 1.000 mm</p> <p>15 core cable 4.800 mm</p> <p>15 core cable 6.000 mm</p> <p>15 core cable 7.000 mm</p> <p>2x2 core outlet with Super Seal socket, pin 5 left position + pin 6 right position (ISO 120098)</p> <p>15 core cable 3.500 mm</p> <p>15 core cable 4.800 mm</p>	<p></p> <p>294 010 500</p> <p>294 048 500</p> <p>294 060 500</p> <p>294 070 500</p> <p>294 035 501</p> <p>294 048 501</p>

Front cable

	Application/ Description	Article No.
	<p>Front cable with 14 poled VBG-socket > 15 poled Ermax bayonet socket Conductor cross-section: $12 \times 1 \text{ mm}^2 + 3 \times 2,5 \text{ mm}^2$ Cable type: FLRY / PVC</p> <p>15 core cable 400 mm VBG socket without SAL (Lock)</p>	<p>194 004 490</p>
	<p>Front cable with 14 poled VBG-socket > 15 poled Ermax bayonet plug Conductor cross-section: $12 \times 1 \text{ mm}^2 + 3 \times 2,5 \text{ mm}^2$ Cable type: FLRY / PVC</p> <p>15 core cable 600 mm VBG socket without SAL (Lock) with 2x 2 poled outlet with Super Seal socket Pin 5 and 6 for position light (ISO 12098) Pin 12, aux 3 are not connected (ISO 12098)</p>	<p>194 006 494</p>
	<p>Front cable with 14 poled VBG-plug > 15 poled Ermax bayonet socket Conductor cross section: $12 \times 1 \text{ mm}^2 + 3 \times 2,5 \text{ mm}^2$ Cable type: FLRY / PVC Pin 14 in the Ermax bayonet socket (AUX 3 ISO 12098) is not connected</p> <p>15 core 4.800 mm VBG plug without SAL (Lock)</p>	<p>294 048 493</p>

Front cable

	Application/ Description	Article No.
	<p>Front cable with 14 poled VBG-plug > 15 poled Ermax bayonet plug Conductor cross-section: 12x1 mm² + 3x2,5 mm² Cable type: FLRYY / PVC Pin 14 in the Ermax bayonet plug (AUX 3 ISO 12098) is not connected</p> <p>SIMAC Friendly 15 core cable 4.800 mm VBG plug with SAL (Lock) This cable is SIMAC Friendly in connection with adapter 394 003 504</p> 	<p>294 048 491</p>
	<p>Front cable with with 14 poled VBG-Plug > 15 poled Ermax bayonet plug Conductor cross-section: 12x1 mm² + 3x2,5 mm² Cable type: FLRYY / PVC Pin 14 in the Ermax bayonet plug (AUX 3 ISO 12098) is not connected</p> <p>15 core cable 4.800 mm VBG plug without SAL (Lock)</p> 	<p>294 048 493</p>

Front cable

	Application/ Description	Article No.
	<p>Front cable with 2x7 poled socket, straight</p> <p>ISO Standard: 1185 + 3731 With Ermax bayonet plug Cable type: FLRY Y / PVC Pin-Nr.11 in Ermax bayonet plug not connected (Aux 1 / brake wear sensor)</p> <p>14 core (2x7 core) cable 600 mm Conductor cross-section: $6 \times 1 \text{ mm}^2 + 1 \times 2,5 \text{ mm}^2$</p>	<p>194 006 430</p>
<p>SIMAC Friendly</p>	<p>14 core (2x7 core) cable 600 mm Conductor cross-section: $6 \times 1 \text{ mm}^2 + 1 \times 2,5 \text{ mm}^2$ 2x2 core outlet with Super Seal socket, ISO 12098 pin 5 left position + pin 6 right position.</p>	<p>194 006 433</p>
	<p>Front cable with 2x7 poled socket</p> <p>ISO Standard: 1185 + 3731, not ISO standard pin configuration With Ermax bayonet plug Cable type: FLRY Y / PVC Pin no. 11 in Ermax bayonet plug (Aux 1 / brake wear sensor) is not connected Rubber grommet of EPDM</p> <p>14 core (2x7 core) cable 1.700 mm Conductor cross-section: $6 \times 1 \text{ mm}^2 + 1 \times 2,5 \text{ mm}^2$</p>	<p>194 017 435</p>

Front cable

Application/ Description

Article No.

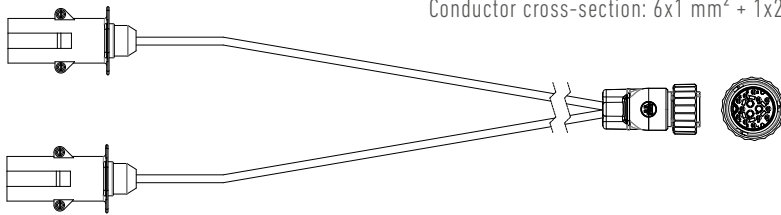
Front cable with 2x7 poled socket, straight

ISO Standard: 12098 + 1185 + 3731

With 15-poled Ermax bayonet plug

Cable type: FLRYY / PVC

Pin no.11 in Ermax bayonet plug (Aux 1 / brake wear sensor) is not connected

14 core (2x7 core) cable 4.800 mmConductor cross-section: $6 \times 1 \text{ mm}^2 + 1 \times 2,5 \text{ mm}^2$ 

This front cable is SIMAC friendly when used with adapter 394 003 504.

294 048 430

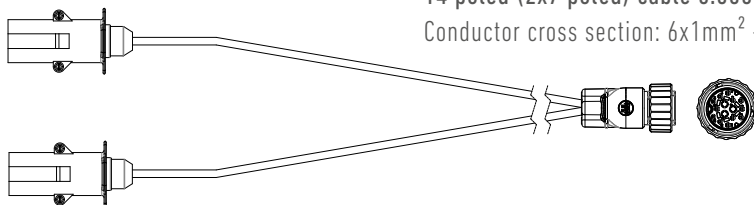
Front cable with 2x7 poled plug

ISO 1185 + 3731, not ISO standard pin configuration.

With 15-poled Ermax bayonet plug.


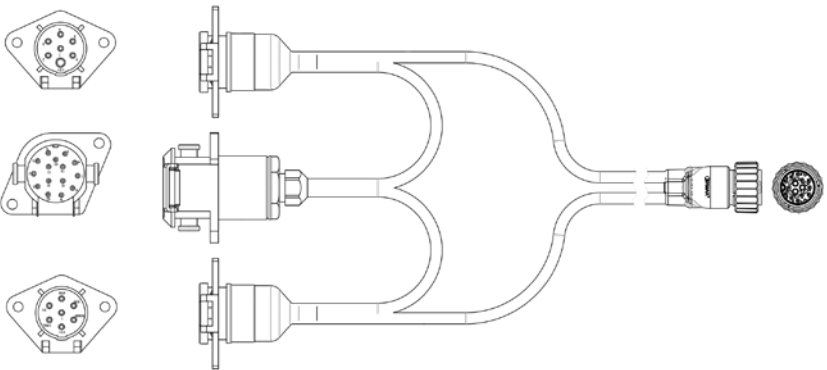
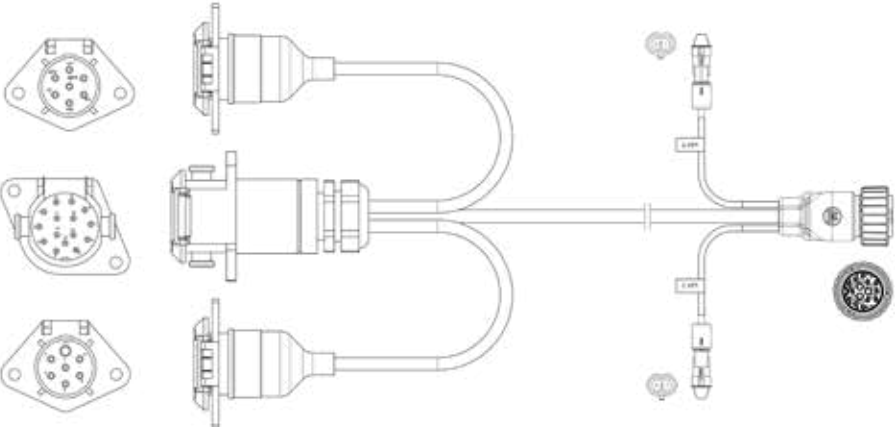
Cable type: FLRYY.

Pin no. 11 in Ermax bayonet connector (aux 1 / brake lining sensor) is not connected

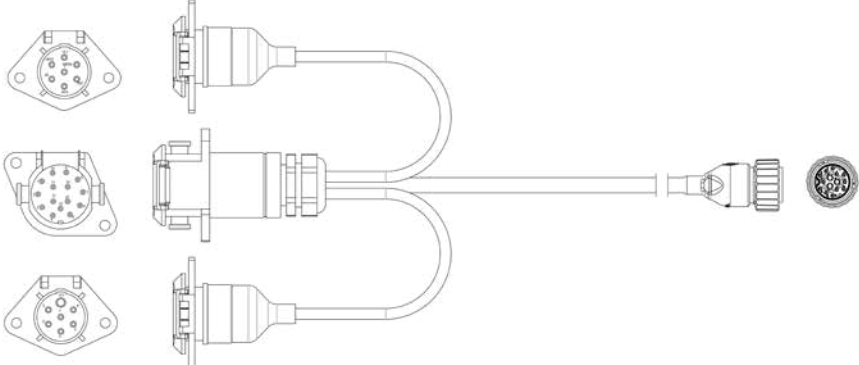
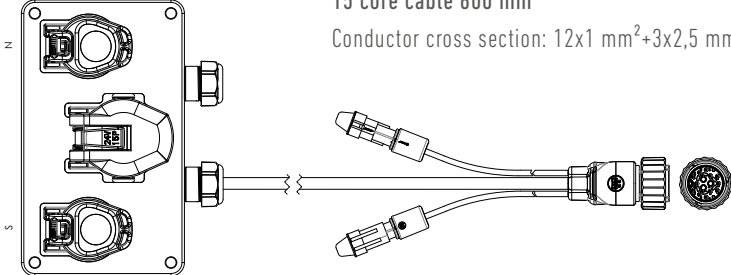
14 poled (2x7 poled) cable 6.000 mmConductor cross section: $6 \times 1 \text{ mm}^2 + 1 \times 2.5 \text{ mm}^2$ 

294 060 435

Front cable

	Application/ Description	Article No.
	<p>Front cable with 15+2x7 poled socket, straight </p> <p>ISO Standard: 12098 + 1185 + 3731 With Ermax bayonet plug Cable type: FLRYY / PVC Pin no.11 in Ermax bayonet plug (AUX 1 ISO 12098) is not connected</p> <p>14 core (2x7 core) cable 600 mm Conductor cross-section: $6 \times 1 \text{mm}^2 + 1 \times 2,5 \text{mm}^2$</p> 	<p>194 006 410</p>
<p>SIMAC Friendly</p>	<p>15 core + 2x7 core cable - 600 mm Conductor cross-section: $12 \times 1 \text{mm}^2 + 3 \times 2,5 \text{mm}^2$ With 2x2 poled outlet with Super Seal socket pin 5+6 LH+RH position</p> 	<p>194 006 511</p>

Frontkabel

	Application/ Description	Article No.
	<p>Frontbox with 15+2x7 poled socket, straight 15-pin socket with ISO standard 12098 ISO1185 + 3731 - does not have an ISO standard configuration With Ermax bayonet connector. Cabel type: FLRYY 15 core cable 1.700 mm Conductor cross section: 12x1.0mm² + 3x2.5mm²</p>	<p>194 017 515</p>
<p>SIMAC Friendly</p> 	<p>Frontbox with 15+2x7 poled socket, straight ISO Standard: 12098 + 1185 + 3731 Mit Ermax 15-poliger Bajonettstecker. 2x2 core outlet with Super Seal socket. Pin ISO 12098 5 LH position + pin 6 RH position Cable type: FLRYY 15 core cable 600 mm Conductor cross section: 12x1 mm²+3x2,5 mm², 2x1mm²</p>	<p>194 006 571</p>

Spare parts / Accessories




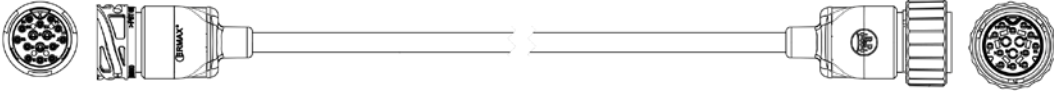


Pos. 1




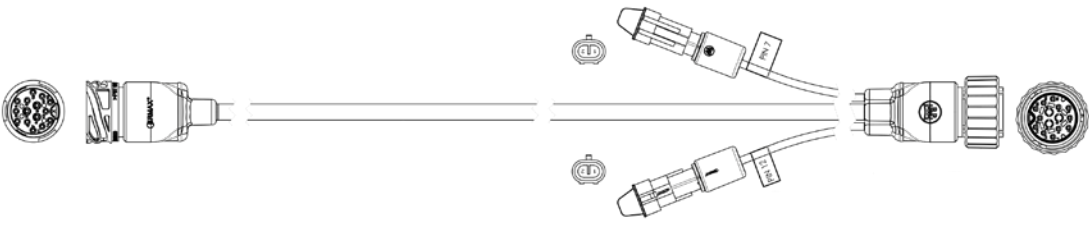

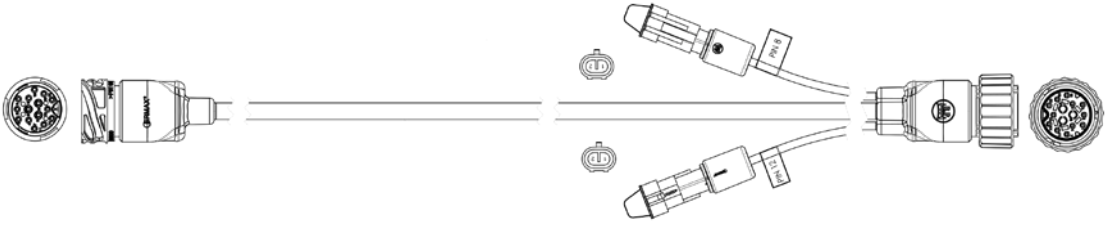
Pos. 2

Rubber grommet for front screw connection in frontbox. Suitable for 099865050, 194006570 and 194006571	1	099 110 230
Rubber grommet for front screw connection in frontbox. Suitable for 099865050, 194006570 and 194006571	2	099 110 231


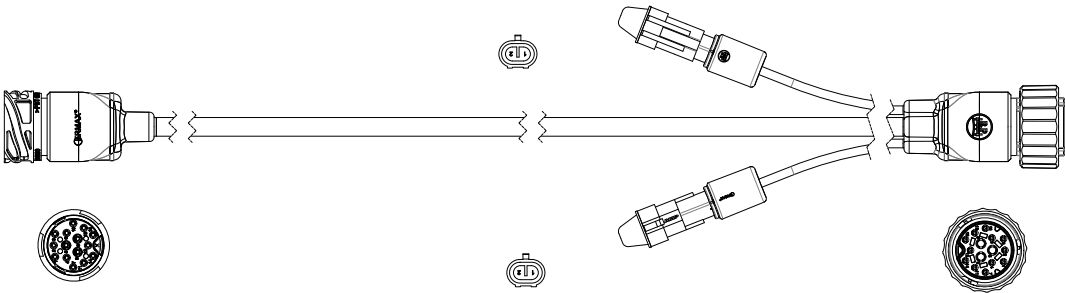
Main cable


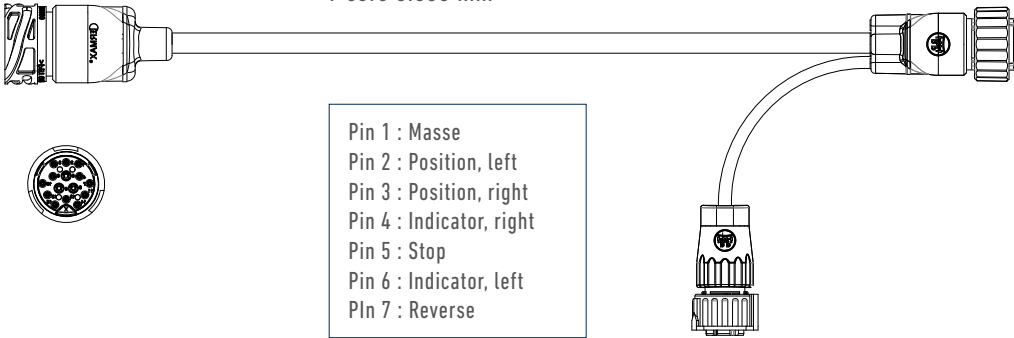
	Application/ Description	Article No.
	<p>Main cable </p> <p>Ermac bayonet socket > plug Conductor cross-section: 8x1 mm²+1x2,5 mm² Cable type: FLRY / PVC Pin-Nr. 9 connected to pin 12 (ISO 12098 Aux 3)</p> <p>9 core 4.000 mm 9 core 6.000 mm 9 core 7.000 mm 9 core 9.000 mm 9 core 10.000 mm 9 core 13.000 mm 9 core 15.000 mm 9 core 17.000 mm 9 core 20.000 mm</p> 	<p>394 040 100 394 060 100 394 070 100 394 090 100 394 100 100 394 130 100 394 150 100 394 170 100 394 200 100</p>
	<p>Main cable </p> <p>Ermac bayonet socket > plug Conductor cross-section: 12x1 mm²+3x2,5 mm² Cable type: FLRY / PVC</p> <p>15 core 2.000 mm 15 core 4.000 mm 15 core 7.000 mm 15 core 8.000 mm 15 core 9.000 mm 15 core 11.000 mm 15 core 13.000 mm 15 core 15.000 mm 15 core 18.000 mm 15 core 20.000 mm 15 core 25.000 mm 15 core 30.000 mm</p> 	<p>394 020 500 394 040 500 394 070 500 394 080 500 394 090 500 394 110 500 394 130 500 394 150 500 394 180 500 394 200 500 394 250 500 394 300 500</p>

Main cable


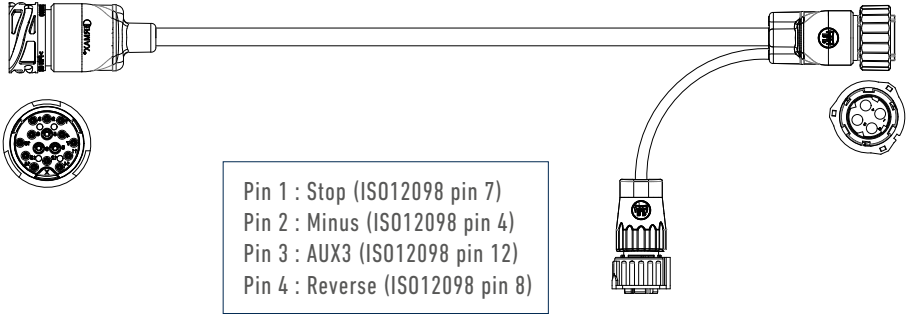

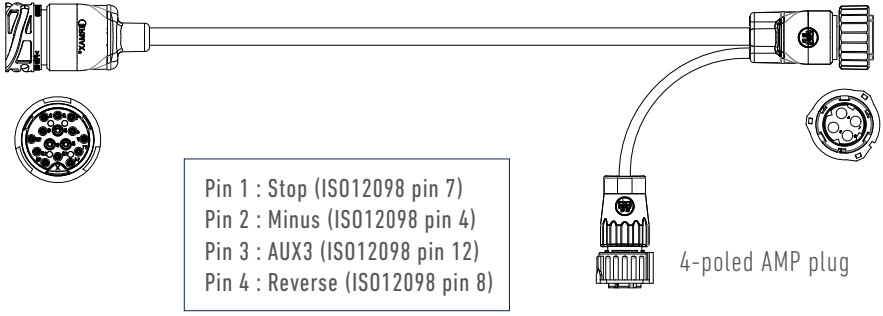
Application/ Description	Article No.
<p>Main cable </p> <p>Ermac 15 poled bayonet socket > plug Conductor cross-section: $8 \times 1 \text{ mm}^2 + 1 \times 2,5 \text{ mm}^2 / 2 \times 1 \text{ mm}^2$ Cable type: FLRYY / PVC 9. core is connected to pin 12 (ISO 12098 Aux 3) 2x2 poled outlet with Super Seal socket (ISO 12098 Pin 7 stop / Pin 12 lift axle Aux 3)</p> <p>9 core 9.000 mm 2x2 poled Aux. Pin 7+12 rear</p> <p>9 core 13.000 mm 2x2 poled Aux. Pin 7+12 rear</p> <p>9 core 15.000 mm 2x2 poled Aux. Pin 7+12 rear</p> 	<p>394 090 101</p> <p>394 130 101</p> <p>394 150 101</p>
<p>Main cable </p> <p>Ermac 15 poled bayonet socket > plug Conductor cross-section: $8 \times 1 \text{ mm}^2 + 1 \times 2,5 \text{ mm}^2 / 2 \times 1 \text{ mm}^2$ Cable type: FLRYY / PVC 9 core is connected to pin 12 (ISO 12098 Aux 3) 2x2 poled outlet with Super Seal socket (ISO 12098 Pin 8 reverse light / Pin 12 lift axle Aux 3)</p> <p>9 core 6.000 mm 2x2 poled Aux. Pin 8+12 rear</p> <p>9 core 9.000 mm 2x2 poled Aux. Pin 8+12 rear</p> <p>9 core 13.000 mm 2x2 poled Aux. Pin 8+12 rear</p> 	<p>394 060 102</p> <p>394 090 102</p> <p>394 130 102</p>

Main cable


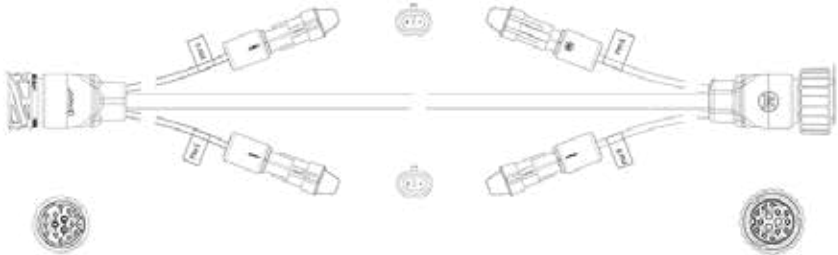

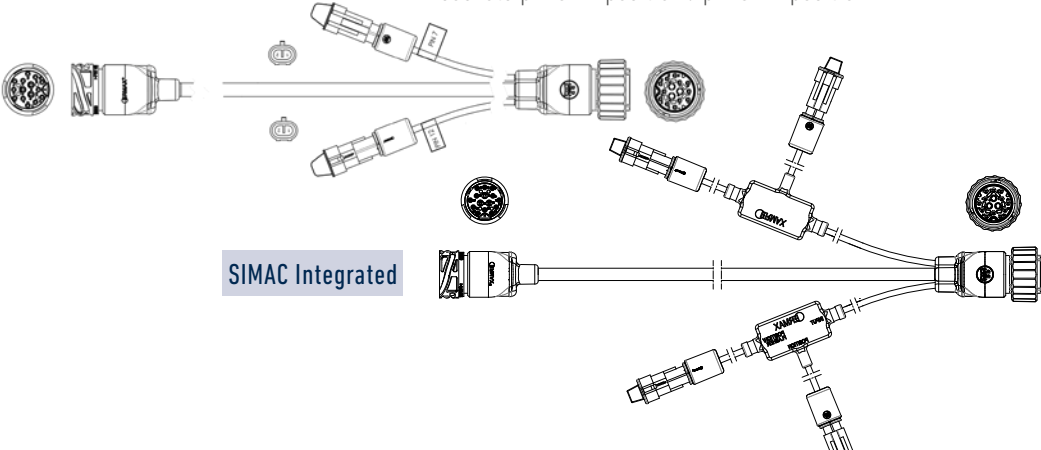
Application/ Description	Article No.
<p>Main cable </p> <p>Ermac 15 poled bayonet socket > plug Conductor cross-section: $8 \times 1 \text{ mm}^2 + 1 \times 2,5 \text{ mm}^2 / 2 \times 1 \text{ mm}^2$ Cable type: FLRY / PVC 2x2 poled outlet with Super Seal socket (ISO 12098 pin 8 reverse light / pin 9 permanent positive)</p> <p>9 core 9.000 mm 2x2 poled Aux. pin 8+9 rear</p> <p>9 core 13.000 mm 2x2 poled Aux. pin 8+9 rear</p> <p>9 core 15.000 mm 2x2 poled Aux. pin 8+9 rear</p>	<p>394 090 105</p> <p>394 130 105</p> <p>394 150 105</p>
	

<p>Main cable </p> <p>Ermac 15 poled bayonet socket > plug Conductor cross-section: $8 \times 1 \text{ mm}^2 + 1 \times 2,5 \text{ mm}^2$ and $6 \times 1 \text{ mm}^2 + 1 \times 2,5 \text{ mm}^2$ Cable type: FLRY / PVC with 7 core outlet and 7 poled AMP 1.5 plug.</p> <p>7 poled plug is only to be used in conjunction with 494015420 because the pin assignment is not standardised for luminaires.</p>	
<p>9 core 300 mm</p>	<p>394 003 107</p>
<p>9 core 6.000 mm</p>	<p>394 060 107</p>
 <div data-bbox="533 1865 793 2101" style="border: 1px solid black; padding: 5px; width: fit-content;"> <p>Pin 1 : Masse Pin 2 : Position, left Pin 3 : Position, right Pin 4 : Indicator, right Pin 5 : Stop Pin 6 : Indicator, left Pin 7 : Reverse</p> </div>	


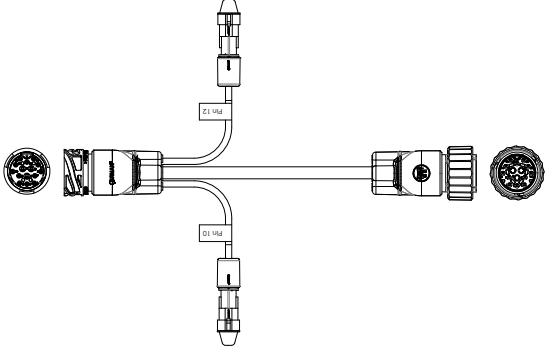

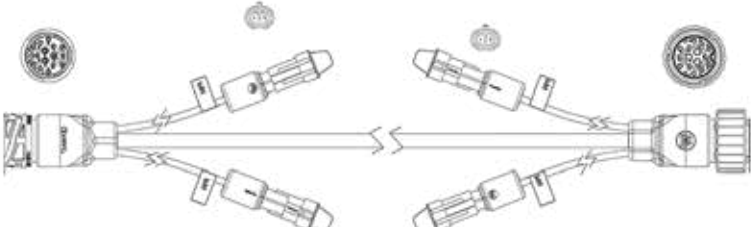
Main cable

Application/ Description	Article No..
<p>Main cable </p> <p>Ermac 15 poled bayonet socket > plug Conductor cross-section: $8 \times 1 \text{ mm}^2 + 1 \times 2,5 \text{ mm}^2$ 1 x 4-poled AMP plug. Leiterquerschnitt: $4 \times 1 \text{ mm}^2$ Cable type: FLRYY</p> <p>9 core 10.000 mm</p> <p>9 core 15.000 mm</p>  <p>Pin 1 : Stop (ISO12098 pin 7) Pin 2 : Minus (ISO12098 pin 4) Pin 3 : AUX3 (ISO12098 pin 12) Pin 4 : Reverse (ISO12098 pin 8)</p>	<p>394 100 108</p> <p>394 150 108</p>
<p>Main cable </p> <p>Ermac 15 poled bayonet socket > plug Conductor cross-section: $12 \times 1 \text{ mm}^2 + 3 \times 2,5 \text{ mm}^2 / 4 \times 1 \text{ mm}^2$. Kabeltyp: FLRYY 1 x 4-poled AMP plug. Conductor cross-section: $4 \times 1 \text{ mm}^2$.</p> <p>15 core 10.000 mm</p> <p>15 core 15.000 mm</p>  <p>Pin 1 : Stop (ISO12098 pin 7) Pin 2 : Minus (ISO12098 pin 4) Pin 3 : AUX3 (ISO12098 pin 12) Pin 4 : Reverse (ISO12098 pin 8)</p> <p>4-poled AMP plug</p>	<p>394 100 508</p> <p>394 150 508</p> <p>9</p>


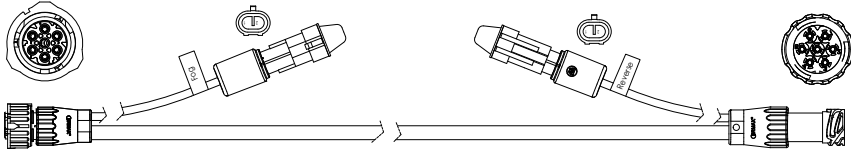



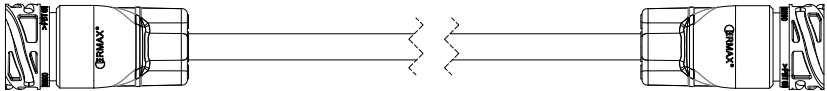
Main cable

Application/ Description	Article No.
<p>Main cable </p> <p>Ermac 15 poled bayonet socket > plug</p> <p>4x2 poled outlets with Super Seal socket (ISO 12098 pin 8 reverse light / pin 9 permanent positive, pin 5 left position / 6 right position)</p> <p>Cable type: FLRYY / PVC</p> <p>9 core 9.000 mm</p> <p>Conductor cross-section: $8 \times 1 \text{ mm}^2 + 1 \times 2,5 \text{ mm}^2 + 2 \times 1 \text{ mm}^2$</p> 	<p>394 090 115</p>
<p>Main cable / Intermediate / Adapter </p> <p>Ermac 15 poled bayonet socket > plug</p> <p>Conductor cross-section: $12 \times 1 \text{ mm}^2 + 3 \times 2,5 \text{ mm}^2 / 2 \times 1 \text{ mm}^2$</p> <p>Cable type: FLRYY / PVC</p> <p>Pin-Nr. 9 connected to pin 12 (ISO 12098 Aux 3)</p> <p>2x2 poled outlet with Super Seal socket (ISO 12098)</p> <p>15 core 300 mm 2x2 poled Aux. Pin 7+12 rear Pin 7 stop / Pin 12 lift axle Aux 3)</p> <p>15 core 300 mm 2x2 poled Aux. Pin 8+12 rear Pin 8 reverse light / Pin 12 lift axle Aux 3)</p> <p>15 core 300 mm 2x2 poled Aux. Pin 8+9 rear Pin 8 reverse light / Pin 9 permanent positive</p> <p>15 core 300 mm 2x2 poled Pin 5+6 (Position R/L) Pin 5 position left / Pin 6 position right</p>	<p>394 003 501</p> <p>394 003 502</p> <p>394 003 505</p> <p>394 003 504</p>
<p>SIMAC Integrated 15 core 300 mm with 2 x SIMAC</p> <p>2 x SIMAC with Super Seal position light (RH+LH) and 2 x Super Seal sockets pin 5 LH position / pin 6 RH position</p>  <p>SIMAC Integrated</p>	<p>394 003 506</p>

Main cable

Application/ Description	Article No.
<p>Main cable (Adapter) </p> <p>Ermac 15 poled bayonet socket > plug 2x2 poled outlet with Super Seal socket (ISO 12098 Pin 10 brake-wear sensor / Pin 12 lift axle Aux 3) 2x2 poled Aux. pin 10+12 rear Cable type: FLRY / PVC</p> <p>15 core 300 mm Conductor cross-section: $12 \times 1 \text{ mm}^2 + 3 \times 2,5 \text{ mm}^2 / 2 \times 1 \text{ mm}^2$</p> 	<p>394 003 530</p>
<p>Main cable (Adapter) 15 core 300 mm </p> <p>Ermac 15 poled bayonet socket > plug Conductor cross-section : $12 \times 1,0 \text{ mm}^2 + 3 \times 2,5 \text{ mm}^2 / 2 \times 1,0 \text{ mm}^2$ Cable type : FLRY / PVC</p> <p>15 core 300 mm 4x2 poled outlet with Super Seal socket ISO12098 Pin 9, Pin 10, Pin 11, Pin 12 Front : AUX2 and AUX3 Rear : AUX1 and permanent positive 24V</p> <p>15 core 300 mm 4x2 poled outlet with Super Seal socket ISO12098 Pin 7, Pin 8, Pin 10, Pin 12 Front : AUX1 and AUX3 Rear : Stop- and reverse light</p> <p>15 core 2000 mm 4x2 poled outlet with Super Seal socket ISO12098 Pin 7, Pin 8, Pin 10, Pin 12 Front : AUX1 and AUX3 Rear : 7 stop light + 8 reversing light</p> <p>15 core 300 mm 4x2 poled outlet with Super Seal socket ISO12098 Pin 9, Pin10, Pin 11, Pin 12, Pin14, Pin 15 Front : permanent positive and AUX3 Rear : AUX1, AUX2 and CAN H, CAN L</p> 	<p>394 003 526</p> <p>394 003 533</p> <p>394 020 533</p> <p>394 003 534</p>

Main cable

Application/ Description	Article No.
<p>Main cable Adapter </p> <p>7 poled AMP 1.5 socket > plug 2x 2 poled outlet with Super Seal socket (ISO 12098 pin 8 reverse light / pin 3 rear fog light) Cable type: FLRY / PVC</p> <p>7 core 300 mm 2x2 poled aux. pin 8+3 Conductor cross-section: $6 \times 1 \text{ mm}^2 + 1 \times 2,5 \text{ mm}^2 / 2 \times 1 \text{ mm}^2$</p> 	<p>394 003 001</p>
<p>Main cable Adapter </p> <p>7 poled AMP 1.5 socket > plug 2 x 2-pin Super Seal sockets with position light and reversing light. Cable type: FLRY / PVC</p> <p>7 core 300 mm Conductor cross section : $7 \times 1,0 \text{ mm}^2 / 2 \times 0,5 \text{ mm}^2$.</p> 	<p>394 003 002</p>
<p>Main cable Adapter </p> <p>Ermax 15 poled bayonet socket > socket Cable type: FLRY / PVC</p> <p>15 core 300 mm Conductor cross-section: $12 \times 1 \text{ mm}^2 + 3 \times 2,5 \text{ mm}^2$</p> 	<p>394 003 560</p>

Main cable

Application/ Description

Article No.

Main cable Adapter

Ermac 2x15 poled bayonet socket > plug

Cable type: FLRYY / PVC

9 core 300 mm

Conductor cross-section: $8 \times 1,0 \text{ mm}^2 + 1 \times 2,5 \text{ mm}^2 + 7 \times 1,0 \text{ mm}^2$

Cable length on 15 poled outlet: 500 mm.

Connection to pin 13 (ISO12098) N/A in the 15 poled outlet.



394 003 160

Main cable

Ermac 15-poled bayonet socket > Open end with blade receptacles 6,3x0,8 mm

Conductor cross section: $8 \times 1 \text{ mm}^2 + 1 \times 2,5 \text{ mm}^2$

Cable type: FLRYY/ PVC

9 core 700 mm



394 007 151

Main cable, Open end

Ermac 15 poled bayonet socket > Open end with blade receptacles 6,3x0,8 mm

Conductor cross-section: $12 \times 1 \text{ mm}^2 + 3 \times 2,5 \text{ mm}^2$

Cable type: FLRYY / PVC

For mounting in junction box

15 core 500 mm

15 core 6.000 mm

15 core 17.000 mm



394 005 551

394 060 551


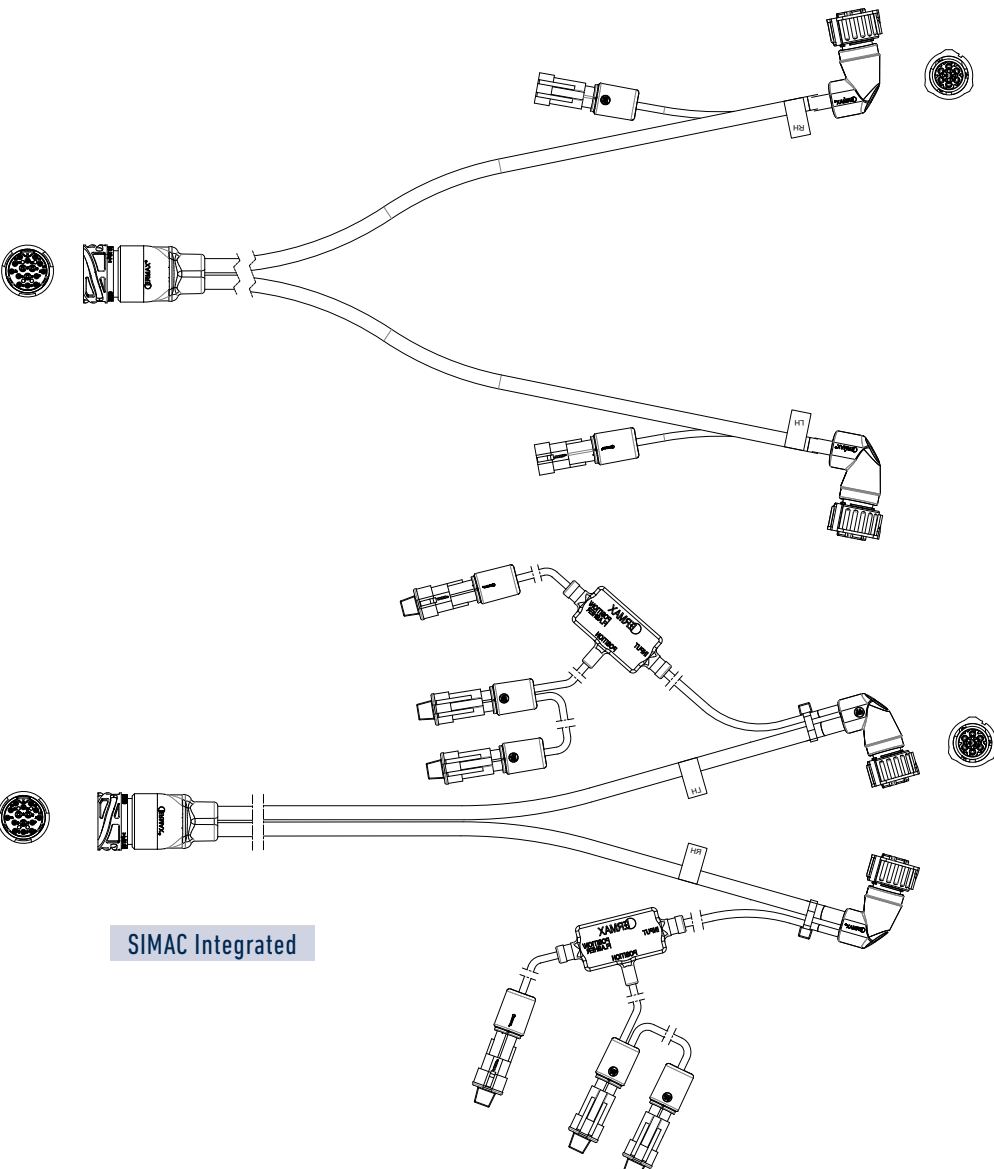
394 170 551

Main cable


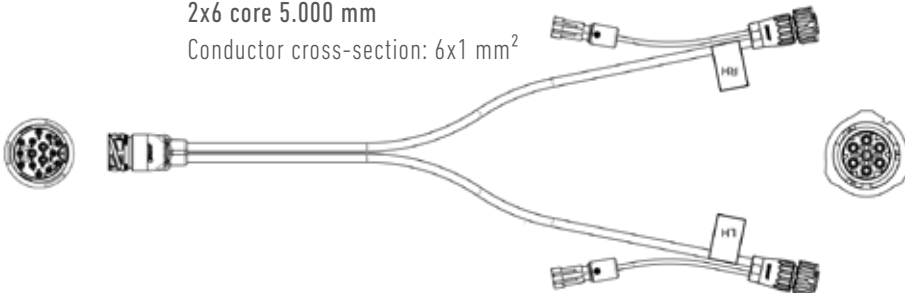

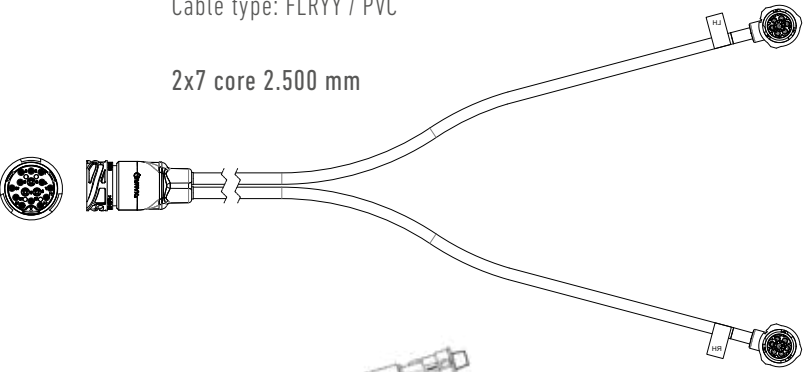
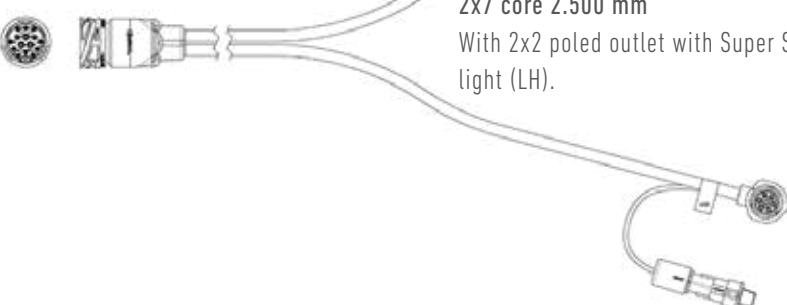
Application/ Description	Article No.
<p>Main cable, Open end Open end with blade receptacles 6,3x0,8 mm > Ermax 15 poled bayonet plug Conductor cross-section: 12x1 mm² + 3x2,5 mm² Cable type: FLRYY / PVC For mounting front box / plug</p>	
15 core 600 mm	394 006 571
15 core 6.000 mm	394 060 571
15 core 9.000 mm	394 090 571
15 core 13.000 mm	394 130 571
15 core 15.000 mm	394 150 571




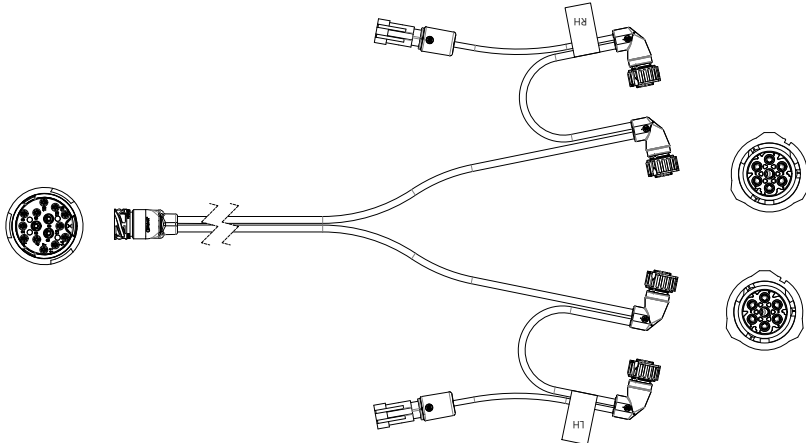

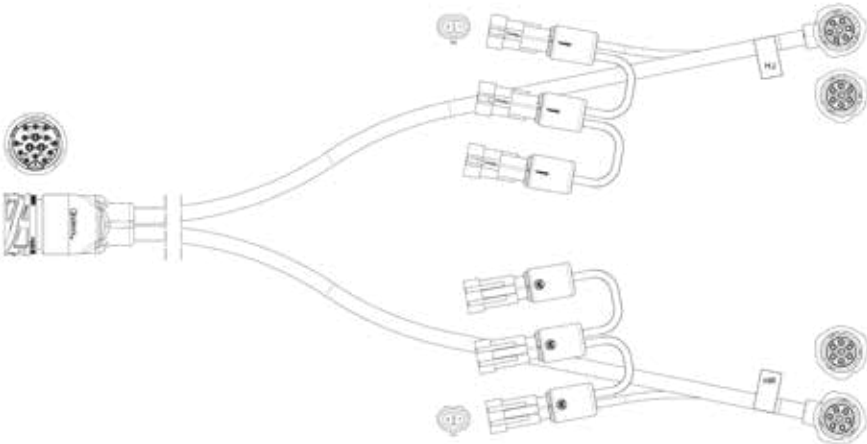
Rear cable

	Application/ Description	Article No.
	<p>Rear cable </p> <p>Ermac 15 poled bayonet socket > 2 x7 poled AMP 1.5 plug, angled Cable type: FLRY / PVC</p> <p>2x6 core 2.500 mm Conductor cross-section: 6x1 mm²</p> <p>2x6 core 2.500 mm With 2x2 poled outlet for side marker light Conductor cross-section: 6x1 mm² / 2x1 mm²</p>	<p>494 025 600</p> <p>494 025 601</p>
<p>SIMAC Integrated</p> <p>SIMAC Integrated</p>	<p>2x6 core 2.500 mm With SIMAC-Function integrated and 4x2 poled outlet for position light</p> 	<p>494 025 651</p>

Rear cable

Application/ Description	Article No.
<p>Rear cable </p> <p>Ermac 15 poled bayonet socket > 2 x7 poled AMP 1.5 plug, straight Cable type: FLRYY / PVC</p> <p>2x6 core 2.500 mm Conductor cross-section: 6x1 mm²</p> <p>2x6 core 2.500 mm With 2x2 poled outlet with Super Seal socket for side marker light Conductor cross-section: 6x1 mm² / 2x1 mm²</p> <p>2x6 core 5.000 mm Conductor cross-section: 6x1 mm²</p> 	<p>494 025 602</p> <p>494 025 603</p> <p>494 050 602</p>
<p>Rear cable, chain </p> <p>Ermac 15 poled bayonet socket > 2x7 poled AMP 1.5 plug, angled The 7th wire is cross over connected tail light Conductor cross-section: 7x1 mm² Cable type: FLRYY / PVC</p> <p>2x7 core 2.500 mm</p>  <p>2x7 core 2.500 mm With 2x2 poled outlet with Super Seal socket for positionlight (RH) and stop light (LH).</p> 	<p>494 025 700</p> <p>494 025 720</p>

Rear cable

Application/ Description	Article No.
<p>Rear cable </p> <p>Ermac 15 poled bayonet socket > 2x2 7 poled AMP 1.5 plug, angled Conductor cross-section: 6x1 mm² / 2x1 mm² Cable type: FLRYY</p> <p>2x6 core 2.500 mm With 2x2-poled outlet with Super Seal socket for side marker light</p> 	<p>494 025 604</p>
<p>Rear cable </p> <p>Ermac 15 poled bayonet socket > 2x 7 poled AMP 1.5 plug, angled Conductor cross-section: 6x1 mm² / 2x0,5 mm² Cable type: FLRYY</p> <p>2x6 core 2.500 mm With 2x3 pcs. 2-poled outlet with Super Seal socket for side marker light</p> 	<p>494 025 607</p>

Rear cable

Application/ Description	Article No.
--------------------------	-------------

Rear cable, chain

Ermac 15 poled bayonet socket > 2x3 7 poled AMP 1.5 plug, angled
 Conductor cross-section: 6x1 mm² / 2x1 mm²
 Cable type: FLRYY / PVC



2x6 core 2.500 mm

With 2x2 poled outlet with Super Seal socket for side marker light

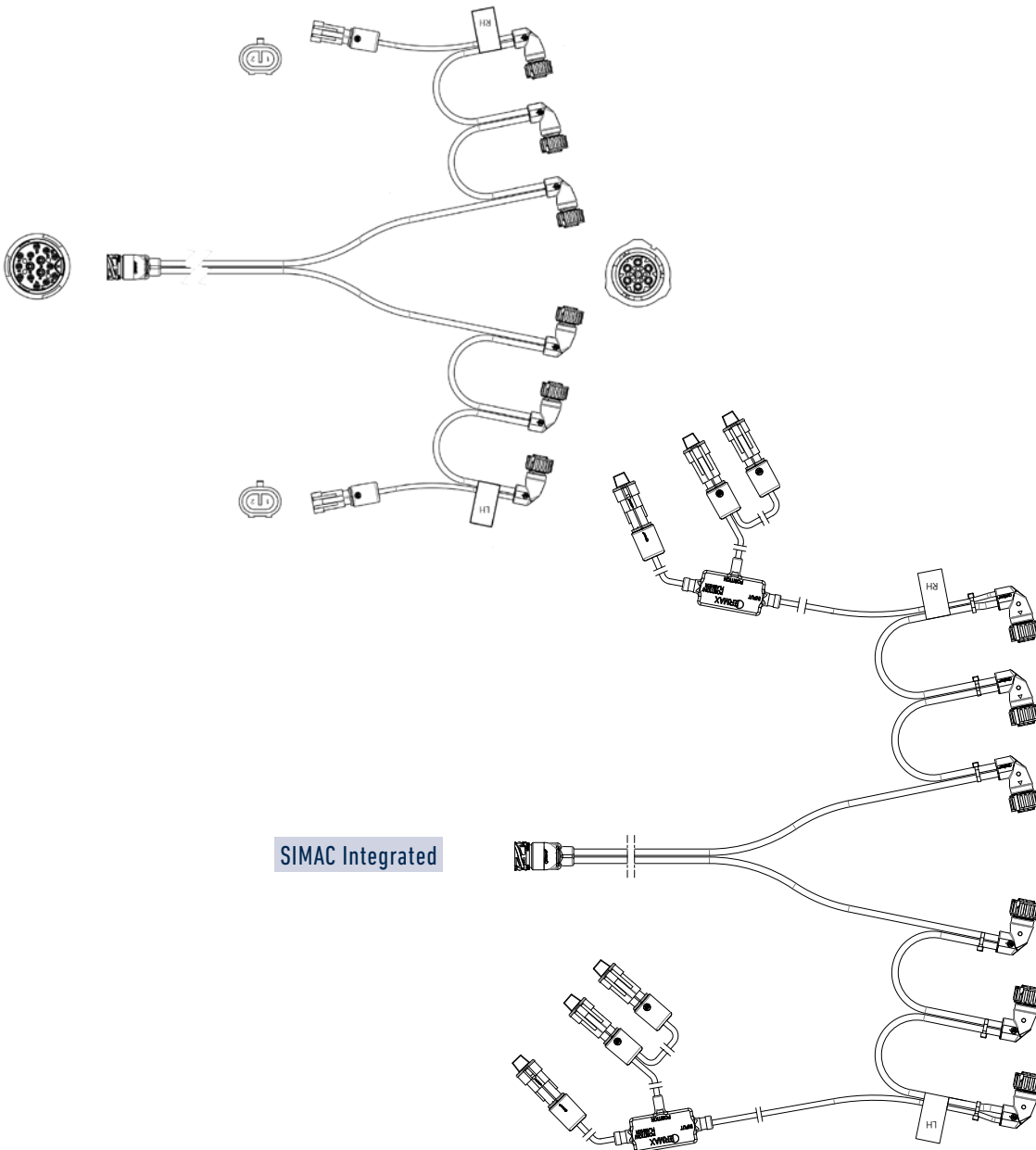
494 025 606

SIMAC Integrated

2x6 core 2.500 mm

With SIMAC control unit integrated. With 2 x 2-poled Super Seal sockets from SIMAC for position light and 1 x 2 poled Super Seal socket for position/direction indicator light

494 025 656



SIMAC Integrated

Rear cable

Application/ Description

Article No.

Rear cable, chain

Ermac 15 poled bayonet socket > 2x4 7 poled AMP 1.5 plug, angled

Conductor cross-section: 6x1 mm² / 2x1 mm²

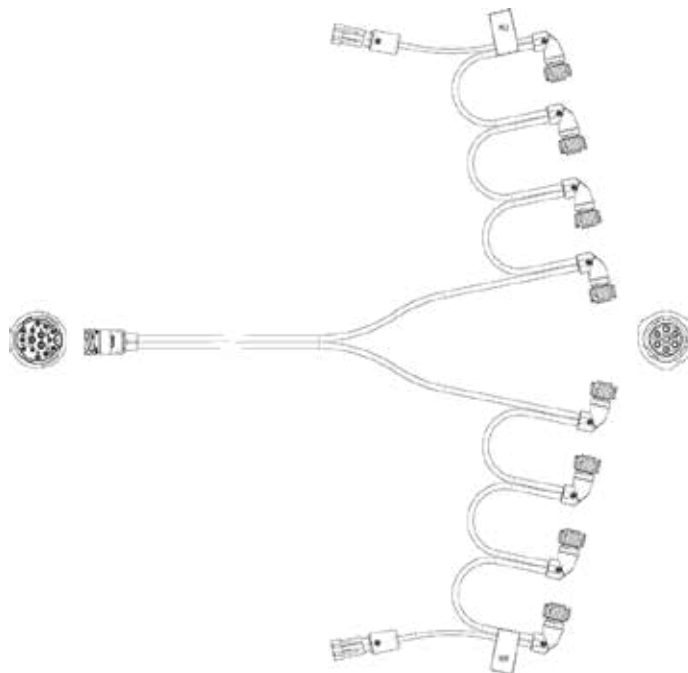
Cable type: FLRY Y / PVC

2x6 core 2.900 mm


With 2x2 poled outlet with Super Seal socket for side marker light



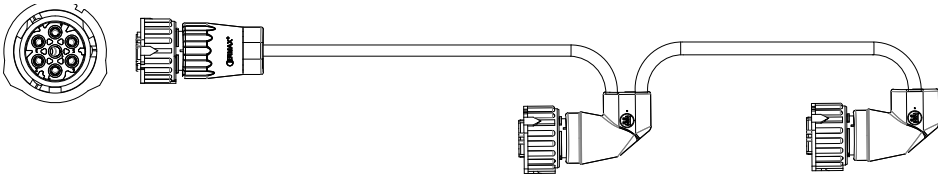

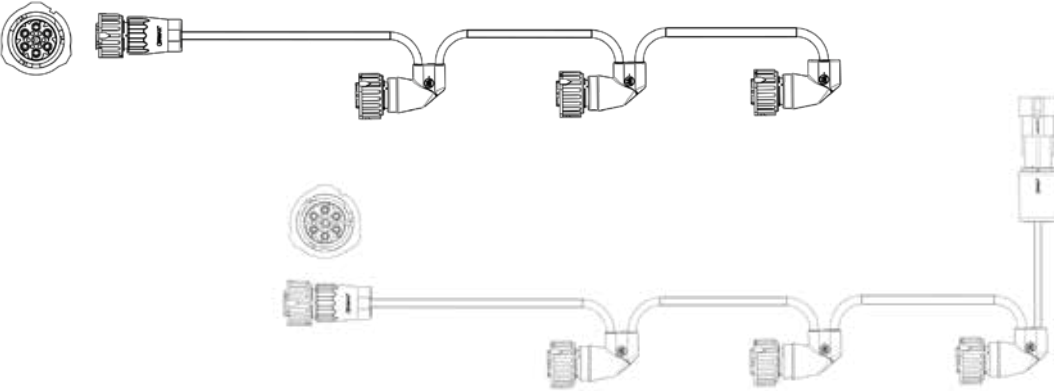

494 029 608



Rear cable

	Application/ Description	Article No.
	<p>Rear cable, single </p> <p>7 poled AMP 1.5 plug, straight > 7 poled AMP 1.5 plug, angled Cable type: FLRY Y / PVC For mounting in Ermax junction box</p> <p>6 core 1.500 mm Conductor cross-section: 6x1 mm²</p> <p>6 core 2.000 mm Conductor cross-section: 6x1 mm²</p> <p>6 core 2.000 mm With 2 poled outlet for side marker light Conductor cross-section: 6x1 mm² / 2x1 mm²</p> <p>6 core 2.500 mm Conductor cross-section: 6x1 mm²</p> <p>6 core 2.000 mm With 2 poligem outlet for side marker light Conductor cross-section: 6x1 mm² / 2x1 mm²</p> <p>6 core 3.000 mm Conductor cross-section: 6x1 mm²</p> <p>6 core 5.000 mm Conductor cross-section: 6x1 mm²</p>	<p>494 015 610</p> <p>494 020 610</p> <p>494 020 611</p> <p>494 025 610</p> <p>494 025 611</p> <p>494 030 610</p> <p>494 050 610</p>
	<p>Rear cable, single </p> <p>7 poled AMP 1.5 plug, straight > AMP 1.5 plug, straight Cable type: FLRY Y / PVC</p> <p>6 core 5.000 mm Conductor cross-section: 6x1 mm²</p> <p>6 core 2.500 mm With 2 poled outlet with "Super Seal" socket for side marker light Conductor cross-section: 6x1 mm² / 2x1 mm²</p>	<p>494 050 612</p> <p>494 025 613</p>

Rear cable

Application/ Description	Article No.
<p>Rear cable, single, chain</p> <p>7 poled AMP 1.5 plug > 2x 7 poled AMP 1.5 plug, angled</p> <p>Cable type: FLRY Y / PVC</p> <p>For mounting in Ermax junction box</p> <p>6 core 2.100 mm Conductor cross-section: 6x1 mm²</p> 	<p></p> <p>494 021 620</p>
<p>Rear cable, single, chain</p> <p>AMP 1,5 plug, straight > 3x 7 poled AMP 1.5 plug, angled</p> <p>Cable type: FLRY Y / PVC</p> <p>For mounting in Ermax junction box</p> <p>6 core 2.100 mm Conductor cross-section: 6x1 mm²</p> <p>6 core 2.100 mm With 2 poled outlet with Super Seal socket for side marker light Conductor cross-section: 6x1 mm² / 2x0,5 mm²</p> 	<p></p> <p>494 021 630</p> <p>494 021 631</p>

Rear cable

Application/ Description

Artikel-Nr.

Rear cable, single, chain

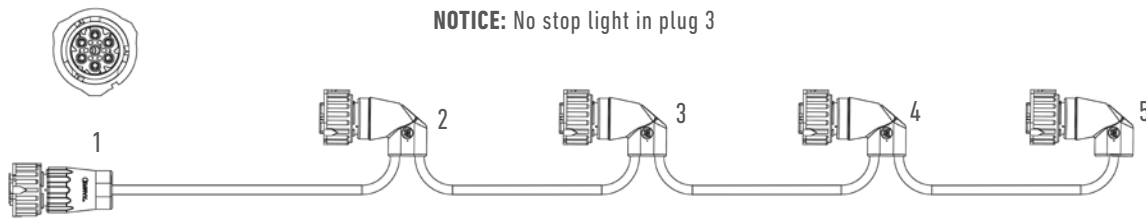
7 poled AMP 1.5 plug > 4x 7 poled AMP 1.5 plug, angled
 Cable type: FLRY Y / PVC
 For mounting in Ermax junction box



6 core 3.000 mm
 Conductor cross-section: 6x1 mm²

NOTICE: No stop light in plug 3

494 030 642

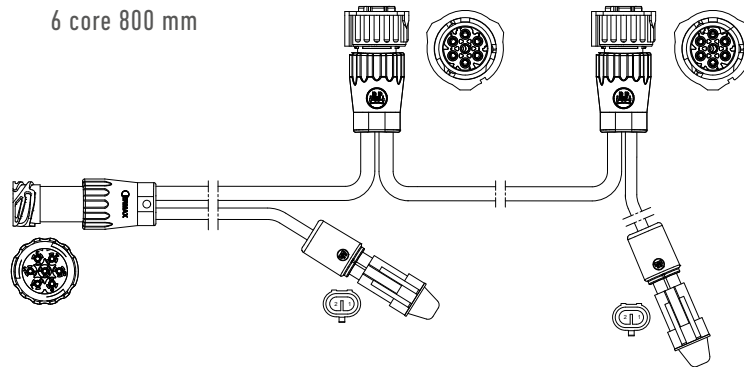
**Rear cable single, chain**

7 poled AMP 1,5 socket, straight > 2 x 7 poled AMP 1,5 plug, angled
 With 2 x 2 core outlet with Super Seal for position and reverse light
 Conductor cross-section: 6x1 mm² / 2x1mm²
 Cable type: FLRY Y / PVC



6 core 800 mm

494 008 664

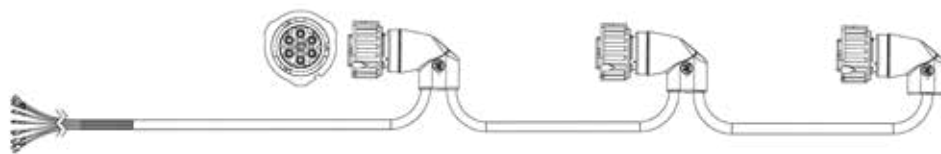
**Rear cable, single, chain**

Open end with blade receptacles 6,3 x 0.8 mm > 3 x 7 poled AMP 1.5 plug,
 angled. For mounting in junction box.
 Distance between plugs: 400 mm
 Cable type: FLRY Y / PVC



6 core 2.100 mm
 Conductor cross-section: 6x1 mm²

494 021 657



Rear cable

Application/ Description

Article No.

Rear cable, single, Open end 

Open end with blade receptacles 6,3x0,8 mm > 7 poled AMP 1.5 plug, angled

Cable type: FLRYY / PVC

For mounting in junction box

6 core 1.800 mmConductor cross-section: 6x1 mm²

494 015 651

6 core 1.800 mmConductor cross-section: 6x1 mm²

494 018 651

6 core 1.800 mm

With 2 poled outlet with Super Seal socket for side marker light

Conductor cross-section: 6x1 mm² / 2x1 mm²

494 018 652

6 core 3.000 mmConductor cross-section: 6x1 mm²

494 030 651

6 core 5.500 mmConductor cross-section: 6x1 mm²

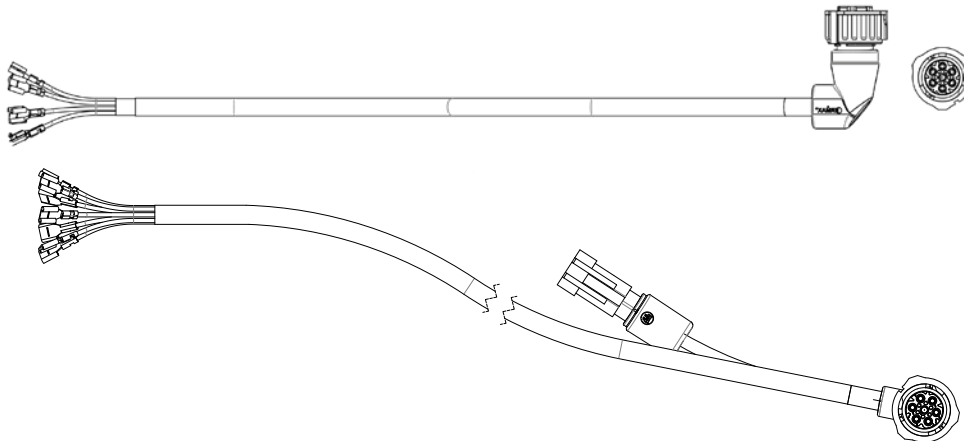
494 055 651

6 core 7.000 mm

With 2 poled outlet with Super Seal socket for side marker light

Conductor cross-section: 6x1 mm² / 2x1 mm²

494 070 652

**Rear cable, single, Open end** 

Open end with blade receptacles 6,3x0,8 mm > 7 poled AMP 1.5 plug, straight

Conductor cross-section: 6x1 mm²

For mounting in Junction box

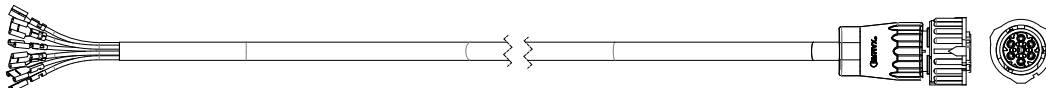
Cable type: FLRYY / PVC

6 core 1.500 mm

494 015 653

6 core 3.000 mm

494 030 653



Rear cable

Application/ Description

Article No.

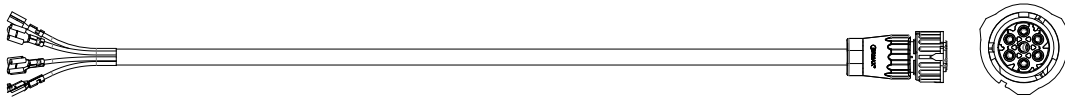
Rear cable, single, Open end (for 3 Functions light) 

Open end with blade receptacles 6,3x0,8 mm > 7 poled AMP 1,5 plug, straight
Cable type: FLRY Y / PVC

4 core 5.500 mm

Conductor cross-section: 3x1 mm² + 1x2,5 mm²

494 055 453

**Rear cable** 

7 poled AMP 1.5 socket > 2x 7 poled AMP 1.5 plug

For connection with tail light right and left

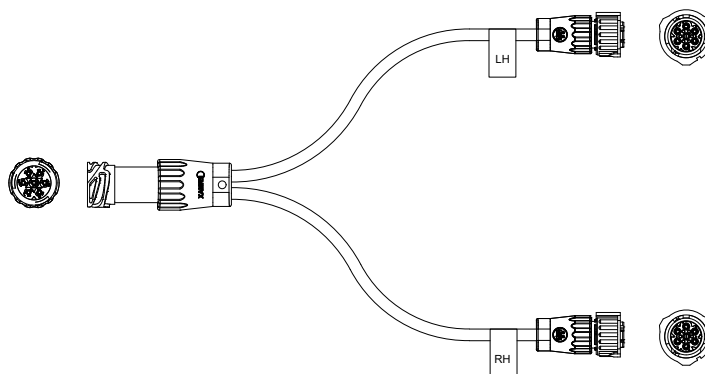
Functions: Position-, stop- and dir. indicator light

Cable type: FLRY Y / PVC

2x4 core 1.500 mm

Conductor cross-section: 3x1 mm² + 1x2,5 mm²

494 015 420



NOTE: Can be used in connection with main cable 394 060 107

Rear cable Rear cable / Y-adapter

Application/ Description

Article No.

Y-Adapter cable kabel

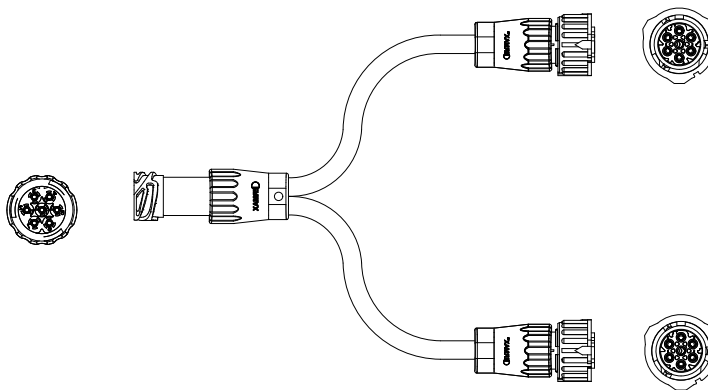
7 poled AMP 1.5 socket, straight > 2 x 7 poled AMP 1.5 plug, straight
Cable type: FLRY Y / PVC

6 core 2 x 500 mm

Conductor cross-section: $5 \times 1 \text{ mm}^2 + 1 \times 2,5 \text{ mm}^2$



894 005 640

**Y-Adapter cable**

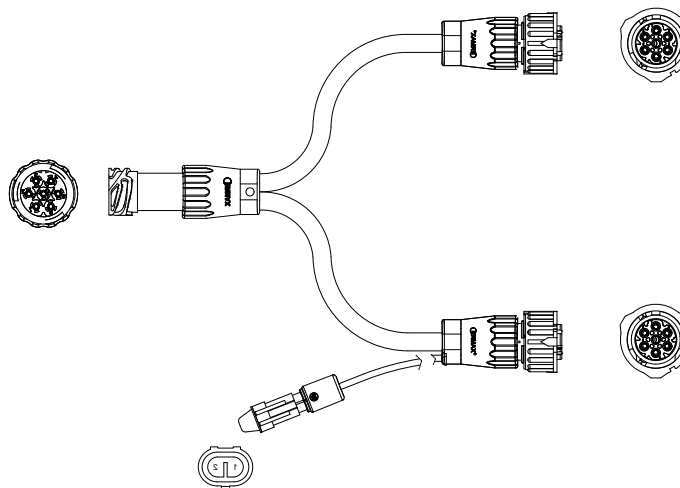
7 poled AMP 1,5 socket + 2 x 7 poled AMP 1,5 plug
Conductor cross-section: $5 \times 1 \text{ mm}^2 + 1 \times 2,5 \text{ mm}^2 / 2 \times 1 \text{ mm}^2$
Cable type: FLRY Y / PVC

6 core 2 x 300 mm

with 1x 2 core outlet (200 mm) with Super Seal socket for position-, or side marker light



894 003 641



Rear cable

Application/ Description

Article No.

Rear cable

ISO12098 socket > 2x1 7 poled AMP plug, angled.

Cable type: FLRYY

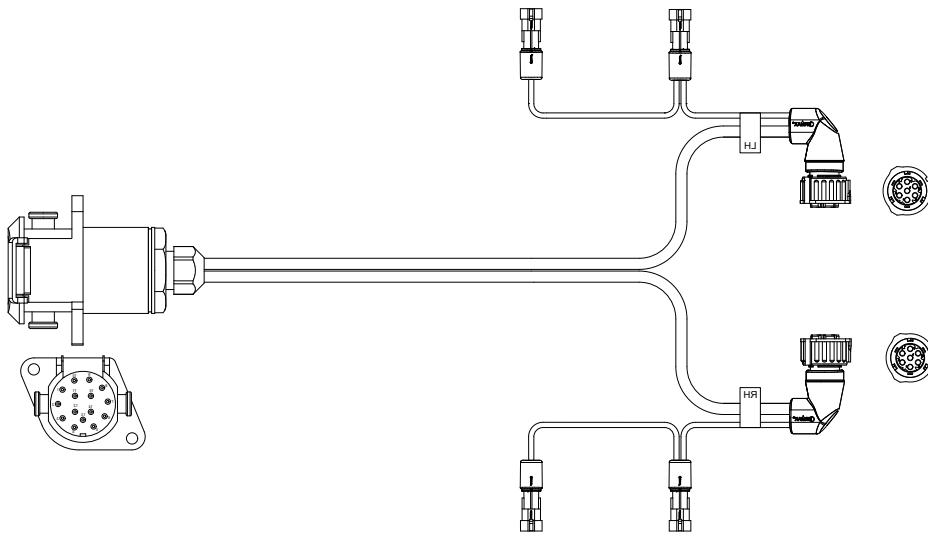
2 x 6 poled 2200 mm

With 4 x 2 poled output for marker lamps.


Conductor cross-section: 7x1 mm² + 2x0,5 mm²



494 022 637



Cable for side marker

Application/ Description	Article No.
<p>Side cable, flat</p> <p>With Super Seal plug</p> <p>Conductor cross-section: 2x1,5 mm²</p> <p>Cable type: FLYYF</p>	
2.000 mm for Click-in system	594 020 000
4.000 mm for Click-In system	594 040 000
7.000 mm for Click-In system	594 070 000
9.000 mm for Click-In system	594 090 000
10.000 mm for Click-In system	594 100 000
13.000 mm for Click-In system	594 130 000
15.000 mm for Click-In system	594 150 000
17.000 mm for Click-In system	594 170 000
18.000 mm for Click-In system	594 180 000
19.000 mm for Click-In system	594 190 000
21.000 mm for Click-In system	594 210 000
24.000 mm for Click-In system	594 240 000



Cable for side marker

Application/ Description

Article No.

Side cable, chain

Suitable as extension cable for side cable chains

1 x inlet with Super Seal socket + 2 x outlet with Super Seal plug

Conductor cross-section: 2x0,5 mm²

Cable type: FLRYY / PVC

3.900 mm

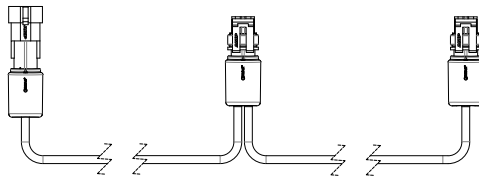
Distance between socket/Plug: 1x200 mm + 1x3700 mm

694 039 201

5200 mm

Distance between socket/Plug: 1 x 200mm + 1 x 5000 mm

694 052 201

**Side cable, chain**

1 x inlet + 2 x outlet with Super Seal plug

Conductor cross-section: 2x0,5 mm²

Cable type: FLRYY / PVC

3.000 mm

Distance between plugs: 1x1300 mm + 1x1700 mm

694 030 200

4.200 mm

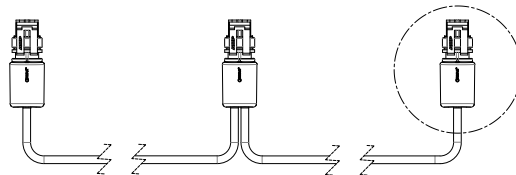
Distance between plugs: 1x3000 mm + 1x1200 mm.

694 042 200


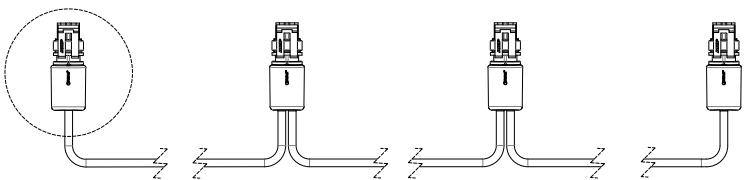

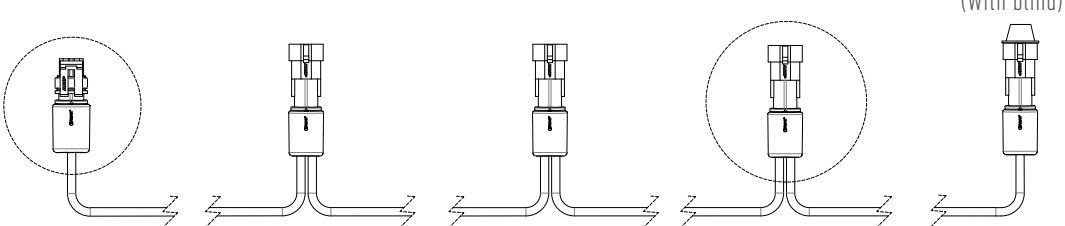
5.300 mm

Distance between plugs: 1x5000 mm + 1x300 mm.


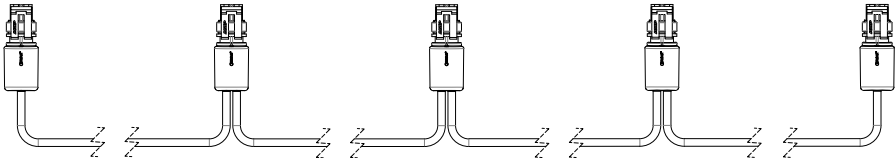

694 053 200



Cable for side marker

Application/ Description	Article No.
<p>Side cable, chain </p> <p>1 x inlet + 3 x outlet with Super Seal plug Conductor cross-section: 2x0,5 mm² Cable type: FLRYY / PVC</p> <p>2.500 mm Distance between plugs: 500 mm + 1500 mm + 500 mm</p> <p>3.200 mm Distance between plugs: 500 mm + 1700 mm + 1000 mm</p> <p>4.000 mm Distance between plugs: 1000 mm + 2000 mm + 1000 mm</p> <p>9.400 mm Distance between plugs: 2000 mm + 3700 mm + 3700 mm</p> <p>10.500 mm Distance between plugs: 3500 mm + 3500 mm + 3500 mm</p> <p>11.500 mm Distance between plugs: 1500 + 5000 mm + 5000 mm</p> <p>13.500 mm Distance between plugs: 4100 mm + 3900 mm + 5500 mm</p> 	<p>694 025 300</p> <p>694 032 300</p> <p>694 040 300</p> <p>694 094 300</p> <p>694 105 300</p> <p>694 115 300</p> <p>694 135 300</p>
<p>Side cable, chain </p> <p>1 x inlet Super Seal plug + 4 x outlet with Super Seal socket Cable for the ADR wide load signs Conductor cross-section: 2x0,5 mm² Cable type: FLRYY</p> <p>1.150 mm Distance between plugs: 300 mm - 300 mm - 300 mm - 250 mm</p>  <p>(With blind)</p>	<p>694 011 402</p>

Cable for side marker

Application/ Description	Article No.
<p>Side cable, chain </p> <p>1 x inlet and 4 x outlet with Super Seal plug Conductor cross-section: 2x0,5 mm² Cable type: FLRYY / PVC.</p> <p>800 mm Distance between plugs: 200 mm</p> <p>14.000 mm Distance between plugs: 3200 mm + 3200 mm + 2800 mm + 3200 mm</p> <p>12.400 mm Distance between plugs: 3200 mm + 3200 mm + 2800 mm + 3500 mm</p> <p>17.500 mm Distance between plugs: 7000 mm + 3500 mm + 3500 mm + 3500 mm</p> <p>19.500 mm Distance between plugs: 19.500 mm + 9000 mm + 3500 mm + 3500 mm</p> 	<p>694 008 400</p> <p>694 140 400</p> <p>694 140 400</p> <p>694 175 400</p> <p>694 195 400</p>
<p>Side cable, chain </p> <p>1 x inlet + 5 x outlet with Super Seal plug Conductor cross-section: 2x0,5 mm² Cable type: FLRYY / PVC</p> <p>15.100 mm Distance between plugs: 2x3200 mm + 2x4000 mm 1x700 mm</p> <p>15.500 mm Distance between plugs: 3500 mm + 3500 mm + 3500 mm + 3500 mm + 3500 mm</p> <p>18.200 mm Distance between plugs: 4200 mm + 4150 mm + 4100 mm + 5000 mm + 750 mm</p> <p>22.500 mm Distance between plugs: 3500 mm + 9000 mm + 3000 mm + 3500 mm + 3500 mm</p> <p>23.100 mm Distance between plugs: 500 mm + 6100 mm + 4500 mm+ 5400 mm + 6600 mm</p> 	<p>694 151 500</p> <p>694 175 500</p> <p>694 182 500</p> <p>694 225 500</p> <p>694 231 500</p>

Cable for side marker

Application/ Description

Article No.

Side cable, chain

1 x inlet + 6 x outlet with Super Seal plug
 Conductor cross-section: $2 \times 0,5 \text{ mm}^2$
 Cable type: FLRYY / PVC

11.500 mm

Distance between plugs: 1500 mm + 2x2400 mm
 2500 mm, 1700 mm, 1000 mm

16.200 mm

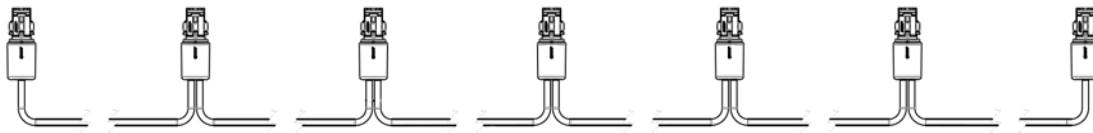
Distance between plugs: 1x1200 mm + 5x3000 mm

17.500 mm

Distance between plugs: 2x1500 mm + 1x4000 mm + 3x3500 mm

20.500 mm

Distance between plugs: 1x2000 mm + 5x3700 mm



694 115 600

694 162 600

694 175 600

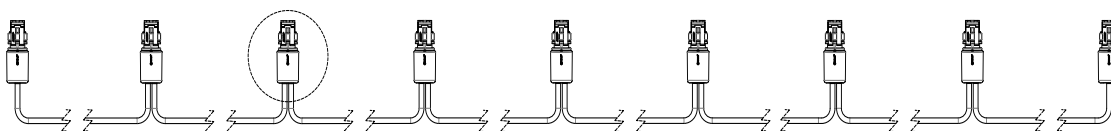
694 205 600

Side cable, chain

1 x inlet + 8 x outlet with Super Seal plug
 Conductor cross-section: $2 \times 0,5 \text{ mm}^2$
 Cable type: FLRYY / PVC

31.500 mm

Distance between plugs: 3x3500 + 1x7500 + 3x3500 + 1x3000



694 315 800

Extension cable

Application/ Description	Article No.
Extension cable, 2 core Super Seal socket > Super Seal plug Conductor cross-section: 2x1 mm ² Cable type: FLRYY / PVC	
500 mm	794 005 200
1.000 mm	794 010 200
1.500 mm	794 015 200
2.000 mm	794 020 200
3.000 mm	794 030 200
4.000 mm	794 040 200
5.000 mm	794 050 200
6.000 mm	794 060 200
10.000 mm	794 100 200
15.000 mm	794 150 200


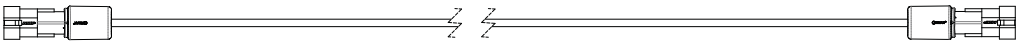

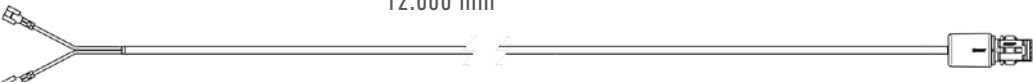


Extension cable

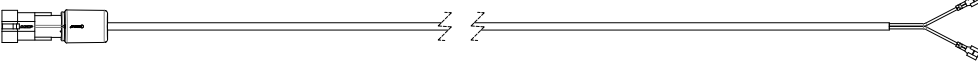

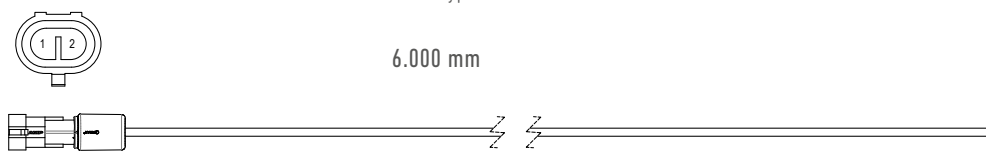

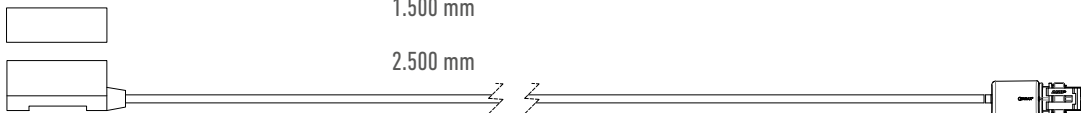

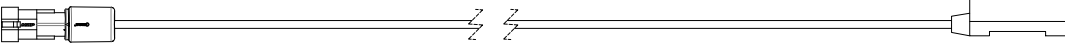

Application/ Description	Article No.
Extension cable, 2 core Super Seal plug > Super Seal plug Conductor cross-section: 2x1 mm ² Cable type: FLRYY / PVC	
200 mm	794 002 230
500 mm	794 005 230
1.000 mm	794 010 230
1.500 mm	794 015 230
2.000 mm	794 020 230
2.500 mm	794 025 230
3.000 mm	794 030 230
5.000 mm	794 050 230
6.000 mm	794 060 230
7.500 mm	794 075 230
10.000 mm	794 100 230
11.500 mm	794 115 230
15.000 mm	794 150 230



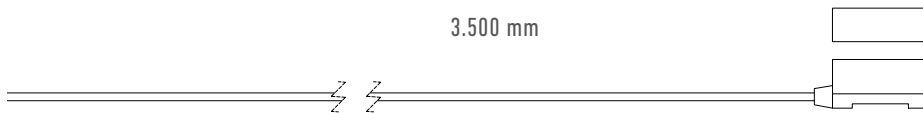

Extension cable

Application/ Description	Article No.
<p>Extension cable, 2 core </p> <p>Super Seal socket > Super Seal socket Conductor cross-section: 2x1 mm² Cable type: FLRYY / PVC</p> <p>1.500 mm</p> 	<p>794 015 240</p>
<p>Extension cable, 2 core </p> <p>Super Seal plug > Open end with blade receptacles 6,3 x 0,8 mm Conductor cross-section: 2x1 mm² Cable type: FLRYY / PVC</p> <p>500 mm</p> <p>1.000 mm</p> <p>1.500 mm</p> <p>2.000 mm</p> <p>2.500 mm</p> <p>4.000 mm</p> <p>6.000 mm</p> <p>8.000 mm</p> <p>10.500 mm</p> <p>12.000 mm</p> 	<p>794 005 251</p> <p>794 010 251</p> <p>794 015 251</p> <p>794 020 251</p> <p>794 025 251</p> <p>794 040 251</p> <p>794 060 251</p> <p>794 080 251</p> <p>794 105 251</p> <p>794 120 251</p>








Extension cable

	Application/ Description	Article No.
	<p>Extension cable, 2 core</p> <p>Super Seal socket > open end with blade receptacles 6,3x0,8 mm Conductor cross-section: 2x1 mm² Cable type: FLRYY</p> <p>500 mm 1.000 mm 1.500 mm 4.000 mm 8.000 mm 12.000 mm 15.000 mm</p>	<p></p> <p>794 005 261 794 010 261 794 015 261 794 040 261 794 080 261 794 120 261 794 150 261</p>
	<p>Extension cable 2 core</p> <p>Super Seal socket > open end Conductor cross-section: 2x1 mm² Cable type: FLRYY</p> <p>6.000 mm</p>	<p></p> <p>794 060 262</p>
	<p>Extension cable 2 core</p> <p>Click-in adapter > Super Seal plug Conductor cross-section: 2x1 mm² Cable type: FLRYY</p> <p>500 mm 1.500 mm 2.500 mm</p>	<p></p> <p>794 005 220 794 015 220 794 025 220</p>
	<p>Extension cable, 2 core</p> <p>Click-In adapter > Super Seal socket Conductor cross-section: 2x1 mm² Cable type: FLRYY</p> <p>500 mm 1.500 mm</p>	<p></p> <p>794 005 270 794 015 270</p>




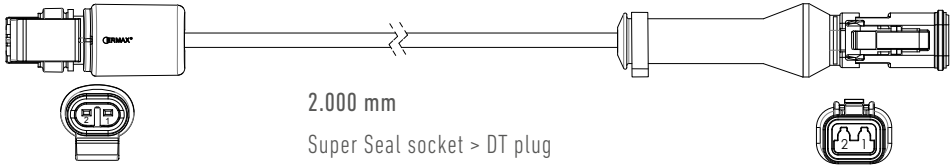
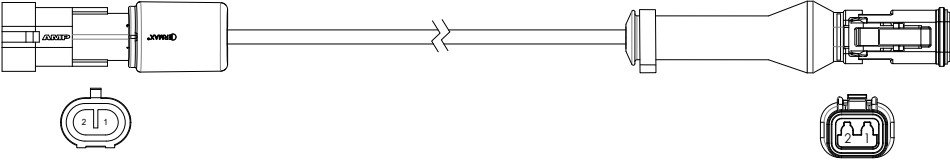


Extension cable

Application/ Description	Article No.
<p>Click-in cable</p> <p>Click-in cable with Open end Conductor cross-section: 2x1 mm² Cable type: FLRYY</p> <p>500 mm</p> <p>1.500 mm</p> <p>3.500 mm</p> 	<p></p> <p>794 005 280</p> <p>794 015 280</p> <p>794 035 280</p>

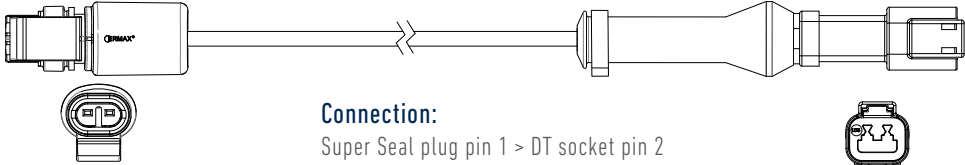
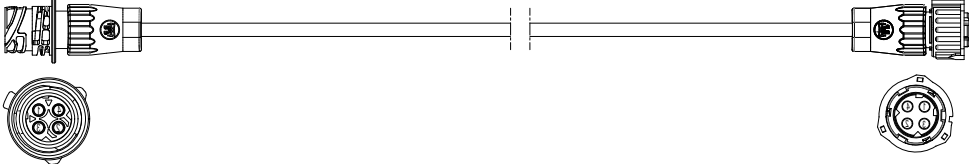

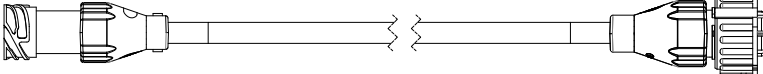

Accessories

Application/ Description	Article No.
 <p>Plate grip Click-in</p> <p>For cable with Click-in system Flexible and uncomplicated assembly</p>	<p>099 859 970</p>
 <p>Locking cap for Click-in cable 1,5 mm²</p> <p>10 pcs/ bag</p>	<p></p> <p>098 291 950</p>
 <p>Adapter including clips, dual Click-In 1,5 mm²</p> <p>For connecting two flat cables Suitable for 1.5 mm flat cable Including 2 x clips (098 291 950)</p> <p>Measurements: 68x15 x 22,1 x 15,4 mm</p>	<p></p> <p>099 110 032</p>
 <p>End plug for flat cable, Click-in</p> <p>Suitable for 1.5 mm flat cable</p> <p>Measurements: Ø15 x 35 mm.</p>	<p></p> <p>099 110 031</p>

Extension cable

Application/ Description	Article No.
<p>Extension cable 2 core </p> <p>Deutsch connector 2-pin (DT) plug > Open end Conductor cross section: 2x1 mm² Cable type: FLRY / PVC</p> <p>500 mm</p> <p>1.500 mm</p> <p>2.500 mm</p> 	<p>794 005 255</p> <p>794 015 255</p> <p>794 025 255</p>
<p>Extension cable 2 core </p> <p>Conductor cross section: 2 x 1 mm² Type: FLRY / PVC</p> <p>2.000 mm</p> <p>Super Seal plug > DT plug Connection: Super Seal plug pin 1 > DT plug pin 2 Super Seal plug pin 2 > DT plug pin 1</p>  <p>2.000 mm</p> <p>Super Seal socket > DT plug Connection: Super Seal socket pin 1 > DT plug pin 2 Super Seal Socket pin 2 > DT plug pin 1</p> 	<p>794 020 210</p> <p>794 020 215</p>
<p>Extension cable 2 core </p> <p>Conductor cross section: 2x1 mm² Cable type: FLRY / PVC</p> <p>200 mm</p> <p>Super Seal socket > DT socket Connection: Super Seal socket pin 1 > DT socket pin 2 Super Seal socket pin 2 > DT socket pin 1</p> 	<p>7</p> <p>94 002 216</p>

Extension cable

Application/ Description	Article No.
<p>Extension cable 2 core</p> <p>Super Seal plug > DT socket Adapter for work lamps on Volvo and Scania Conductor cross section: 2 x 1 mm² Type: FLRY Y / PVC</p> <p>200 mm</p>  <p>Connection: Super Seal plug pin 1 > DT socket pin 2 Super Seal plug pin 2 > DT socket pin 1</p>	<p>994 002 130</p>
<p>Extension cable 4 core</p> <p>AMP 1,5 socket > AMP 1,5 plug Conductor cross section: 4 x 1 mm² Type: FLRY Y / PVC</p> <p>4 core, 5.000 mm</p> 	<p></p> <p>794 050 480</p>
<p>Extension cable 6 core</p> <p>7-poliger AMP 1.5 socket, straight > 7-poliger AMP 1.5 plug, straight Conductor cross section: 6x1mm² Cable type: FLRY Y</p> <p>6 core, 3500 mm</p> <p>6 core 5.000 mm</p> <p>6 core 6.000 mm</p> <p>6 core 12.500 mm</p> 	<p></p> <p>794 035 600</p> <p>794 050 600</p> <p>794 060 600</p> <p>794 125 600</p>

Extension cable

Application/ Description

Article No.

Extension cable, 7 coreConductor cross-section: 7x1 mm²

Cable type: FLRYY

1.000 mm

7-poles AMP 1,5 socket, straight > AMP 1,5 plug, straight

794 010 700

1.000 mm

7-poled AMP 1,5 socket, angled > AMP 1,5 plug, angled

794 010 701

2.000 mm

7-poled AMP 1,5 Socket, straight > AMP 1,5 plug, straight

794 020 700

5.000 mm

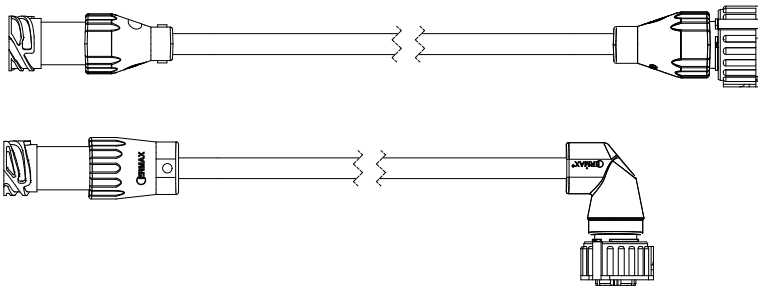
7-poled AMP 1,5 Socket, straight > AMP 1,5 plug, straight

794 050 700

9.000 mm

7-poled AMP 1,5 Socket, straight > 7-poled AMP 1,5 plug, straight

794 090 700

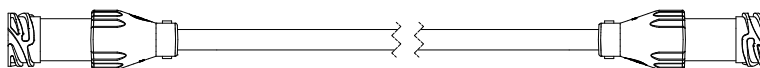
**Adapter cable 7 core**Conductor cross section: 6x1 mm² + 1x2,5 mm².

Cable type: FLRYY.

300 mm

7-poled AMP 1,5 socket, straight > AMP 1,5 socket, straight

794 003 740



Y-Adapter cable

Application/ Description	Article No.
<p>Y-Adapter cable, 2 core </p> <p>Conductor cross-section: 2x1 mm² Cable type: FLRY Y / PVC</p> <p>2 x 500 mm 1 x Super Seal socket + 2 x Super Seal plug</p> <p>2 x 1.000 mm 1 x Super Seal socket + 2 x Super Seal plug</p> 	<p>894 005 200</p> <p>894 010 200</p>
<p>Y-Adapter cable, 2 core </p> <p>Conductor cross-section: 2x1 mm² Cable type: FLRY Y / PVC / PVC</p> <p>2 x 500 mm 3 x Super Seal plug</p> <p>2 x 2000 mm 3 x Super Seal plug</p> <p>2 x 3000 mm 3 x Super Seal plug</p> <p>2 x 4000 mm 3 x Super Seal plug</p> <p>2 x 6000 mm 3 x Super Seal plug</p> 	<p>894 005 230</p> <p>894 020 230</p> <p>894 030 230</p> <p>894 040 230</p> <p>894 060 230</p>
<p>Y-Adapter cable, 2 core </p> <p>Conductor cross-section: 2x1 mm² Cable type: FLRY Y / PVC</p> <p>2 x 500 mm Super Seal socket 1 x Super Seal plug + 2 x Super Seal socket</p> 	<p>894 005 240</p>

Rear cable / Y-adapter

Application/ Description

Article No.

Adapter



3-poled Super Seal socket > 2 x 2-poled Super Seal plug for position light and AUX

Conductor cross section : 2 x 0,5 mm²

Cable type: FLRY / PVC

500 mm

Configuration 3-poled Super Seal socket:

Minus: Pin 1

Position light: Pin 2

AUX: Pin 3

Configuration 2 poled Super Seal plug for position light:

Minus: Pin 1

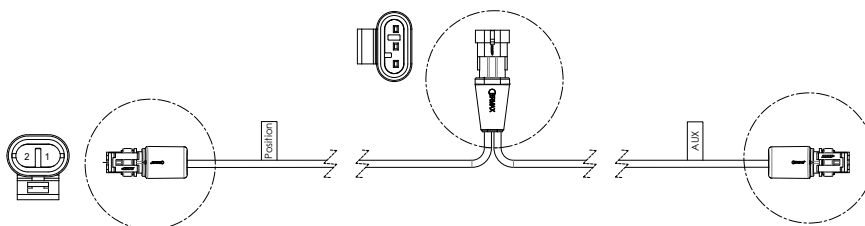
Position light: Pin 2

Configuration 2poled Super Seal plug for AUX:

Minus: Pin 1

AUX: Pin 2

994 005 270



Y-Adapter cable, 7 corer



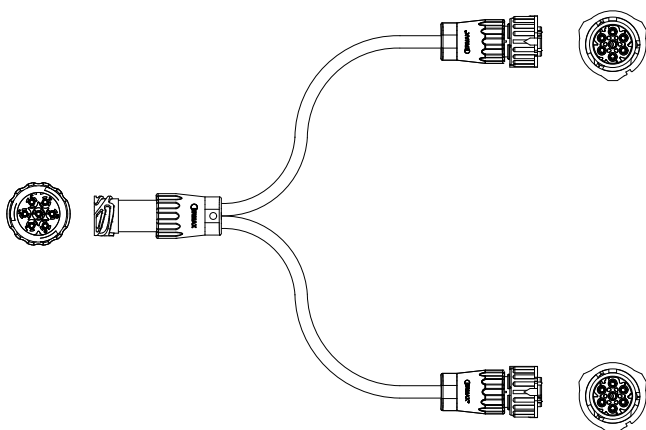
Conductor cross-section: 7x1 mm²

Cable type: FLRY / PVC


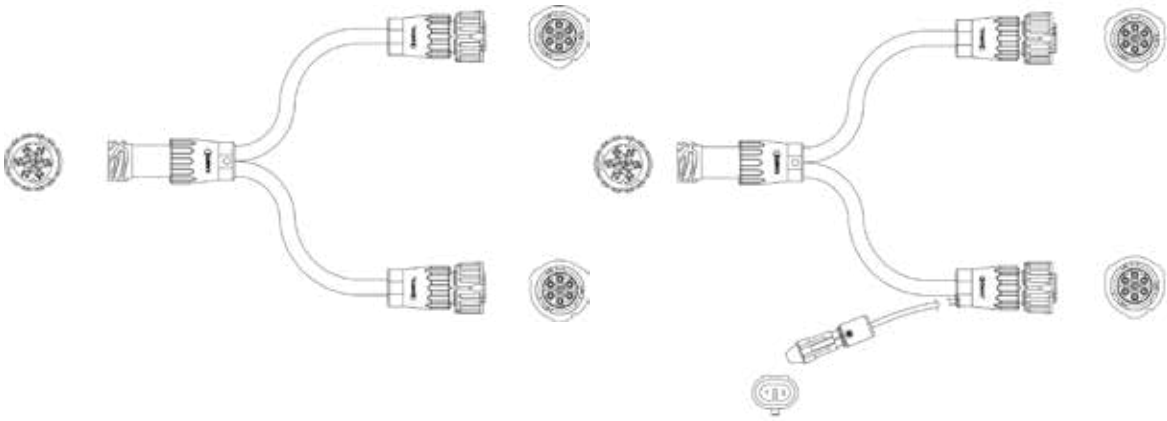
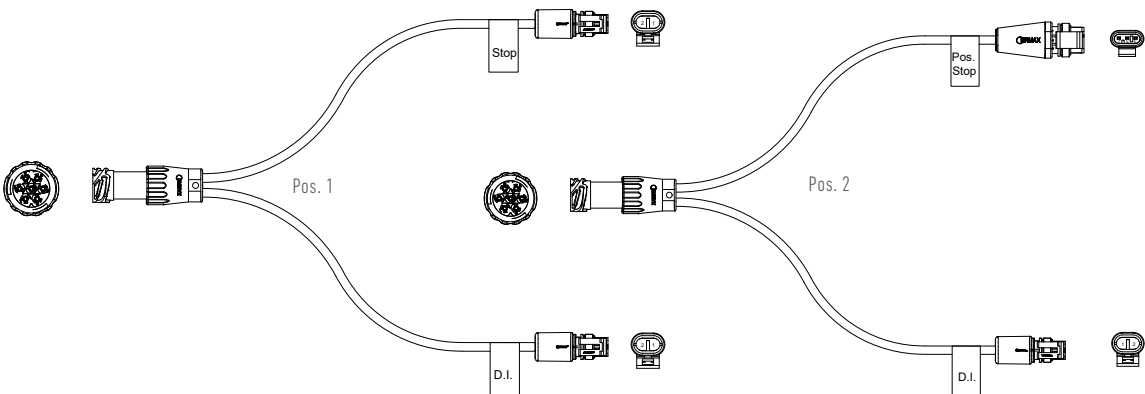
3 x 300 mm

7 poled AMP 1.5 socket > 2x 7 poled AMP 1.5 plug

894 003 740



Rear cable / Y-adapter

	Application/ Description	Article No.
	<p>Y-Adapter cable </p> <p>7 poled AMP 1.5 socket, straight > 2 x 7 poled AMP 1.5 plug, straight Cable type: FLRY Y / PVC</p> <p>2 x 500 mm Conductor cross-section: 5x1 mm² + 1x2,5 mm²</p> <p>2 x 300 mm with 1x 2 core outlet (200 mm) with Super Seal socket for position-, or side marker light</p> 	<p>894 005 640</p> <p>894 003 641</p>
	<p>Y-Adapter cable (for TM14)</p> <p>Pos. 1 300 mm 7 poled AMP socket > 2 x Super Seal plug with outlet for stop- and direction indicator light</p> <p>Pos. 2 300 mm 7 poled AMP socket > 1 x 3 poled Super Seal plug with outlet for position and stop light + 1 x 2 poled super seal plug with outlet for direction indicator light</p> 	<p>994 003 282</p> <p>994 003 285</p>

Adapter cable

Application/ Description	Article No.
--------------------------	-------------



Pos 1



Pos 2

Adapter cable for Ermax tail lights

Cable type: FLRY / PVC



Connection	Cable length	Conductor cross-section		Pos	Article No.
Aspöck ASS2 7 poled socket > 7 poled AMP 1.5 bayonet plug, angled	200 mm	5x1 mm ² + 1x2,5 mm ²	Left	1	994 002 062
Aspöck ASS2 7 poled socket > 7 poled AMP 1.5 bayonet plug, angled	200 mm	5x1 mm ² + 1x2,5 mm ²	Right	1	994 002 063
Aspöck ASS3 17 poled plug > Ermax 15 poled bayonet plug	200 mm	12x1 mm ² + 3x2,5 mm ²	---	2	994 002 150

Coil cable

Application/ Description

Article No.

Coil cable

Ermac 15 poled bayonet socket > plug

Conductor cross-section: $7 \times 1 \text{ mm}^2 + 2 \times 2,5 \text{ mm}^2$

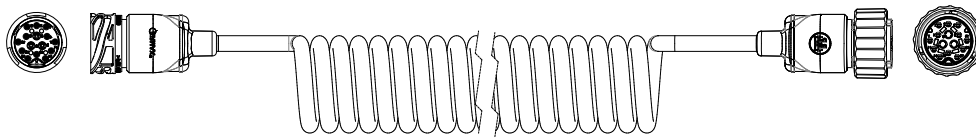
Number of coils: 26

Inside diameter: $\varnothing 50 \text{ mm}$

3.500 mm

9 core

994 035 900

**Coil cable**

Ermac 15 poled bayonet socket > plug

Conductor cross-section: $12 \times 1 \text{ mm}^2 + 3 \times 2,5 \text{ mm}^2$

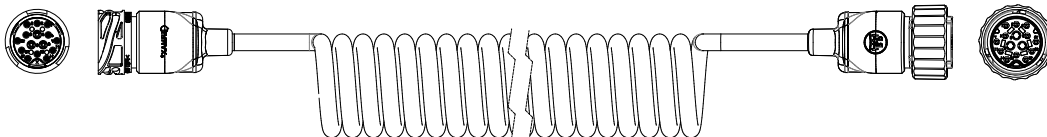
Number of coils: 23

Inside diameter: $\varnothing 65 \text{ mm}$

4.000 mm

15 core

994 040 151

**Coil cable**

15 poled plug ISO 12098

Conductor cross-section: $12 \times 1 \text{ mm}^2 + 3 \times 2,5 \text{ mm}^2$ Inside diameter: $\varnothing 38 \text{ mm}$ Outer diameter: $\varnothing 66 \text{ mm}$







4.000 mm

15 core

090 165 813



Coil cable

Application/ Description	Article No.
<p>Coil cable ABS </p> <p>7 poled socket ISO 7638-1 Conductor cross-section: $2 \times 4 \text{ mm}^2 + 3 \times 1,5 \text{ mm}^2$ Inside diameter: $\varnothing 22 \text{ mm}$ Outer diameter: $\varnothing 48 \text{ mm}$</p> <p>4.000 mm 5 core</p> 	090 195 440
<p>Coil cable </p> <p>7 poled EBS with socket, ISO 7638-1 Conductor cross-section: $2 \times 1,5 \text{ mm}^2 + 2 \times 4,0 \text{ mm}^2 + 3 \times 1,5 \text{ mm}^2$ Inside diameter: $\varnothing 22 \text{ mm}$ Outer diameter: $\varnothing 48 \text{ mm}$</p> <p>3.500 mm 7 core</p> 	090 195 835
<p>Coil cable </p> <p>7 poled EBS with socket, ISO 7638-1 Conductor cross-section: $2 \times 1,5 \text{ mm}^2 + 2 \times 4,0 \text{ mm}^2 + 3 \times 1,5 \text{ mm}^2$ Inside diameter: $\varnothing 22 \text{ mm}$ Outer diameter: $\varnothing 48 \text{ mm}$</p> <p>4.000 mm 7 core</p> 	090 195 840

Cable rolls

Working temperature: -40°C - +80°C
 Cable type: FLRY / PVC
 ADR approval



Pos. 1



Pos. 2



ISO Norm	Cable material	Core	Cable colour	Conductor cross-section	Spool	Pos.	Article-No
DIN 72570 / ISO 6722	Plastic	2 core	White, black	2 x 0,5 mm ²	50 m	1	099 897 220
DIN 72570 / ISO 6722	Plastic	2 core	Blue, brown	2 x 1,0 mm ²	50 m	1	099 897 226
DIN 72570 / ISO 6722	Plastic	2 core	Blue, brown	2 x 1,0 mm ²	500 m	1	099 897 227
DIN 72570 / ISO 6622	Plastic Side cable, flat for Click-in	2 core	White, brown	2 x 1,5 mm ²	100 m	1	099 897 611
DIN 72570 / ISO 6722	Plastic	3 core	Brown, blue, yellow/green	3 x 1,0 mm ²	50 m	2	099 897 031
DIN 72570 / ISO 6722	Plastic	3 core	White, black, yellow	3 x 1,5 mm ²	50 m	2	099 897 032
DIN 72570 / ISO 6722	Plastic	4 core	White, red, green, yellow	4 x 0,5 mm ²	50 m	2	099 897 043
DIN 72570 / ISO 6722	Plastic	4 core	White, black, red, yellow	4 x 1,0 mm ²	50 m	2	099 897 045
DIN 72570 / ISO 6722	Plastic	4 core	Blue, brown, black, yellow	4 x 1,5 mm ²	50 m	2	099 897 049
DIN 72570 / ISO 6722	Plastic	5 core	White, black, red, yellow, green	5 x 1,0 mm ²	50 m	2	099 897 055
DIN 72570 / ISO 6722	Plastic	7 core	Black, brown, blue, yellow, green, red, white	7 x 1,0 mm ²	100 m	2	099 897 076
DIN 72570 / ISO 6722	Plastic	7 core	Black, brown, blue, yellow, green, red, white	7 x 1,5 mm ²	50 m	2	099 897 079
DIN 72570 / ISO 6722	Plastic	7 core	Brown, yellow, white, red, blue, green, black	6 x 1,0 + 1 x 2,5 mm ²	50 m	2	099 897 081
DIN 72570 / ISO 6722	Plastic	7 core	Brown, yellow, red, blue, green, black	6 x 1,5 + 1 x 2,5 mm ²	500 m	2	099 897 086
DIN 72570 / ISO 6722	Plastic	9 core	Black, yellow, red, pink, blue, brown, orange, green, white	8 x 1,0 + 1 x 2,5 mm ²	50 m	2	099 897 091
DIN 72570 / ISO 6722	Plastic	13 core	White, brown, blue, red, orange, yellow, grey, violet, black, green, white/red, white/blue, white/black	10 x 1,5 + 3 x 2,5 mm ²	25 m	2	099 897 134
DIN 72570 / ISO 6722	Plastic	15 core	White, white/red, black, yellow, red, green, orange, brown, blue, pink, grey, white/black, white/blue, white/green, white/brown	12 x 1,0 + 3 x 2,5 mm ²	50 m	2	099 897 299
DIN 72570 / ISO 6722	Plastic	15 core	Black, brown, red, pink, grey, yellow, green, blue, white, orange, red/white, black/white, brown/white, green/white, blue/white	12 x 1,5 + 3 x 2,5 mm ²	50 m	2	099 897 296
DIN 72570 / ISO 6722	Plastic	15 core	Black, brown, red, pink, grey, yellow, green, blue, white, orange, red/white, black/white, brown/white, green/white, blue/white	12 x 1,5 + 3 x 2,5 mm ²	500 m	2	099 897 294

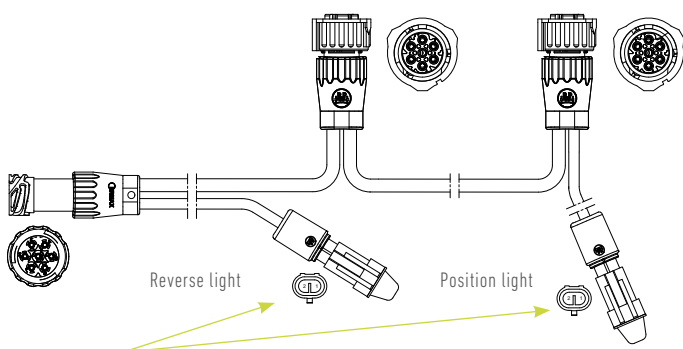
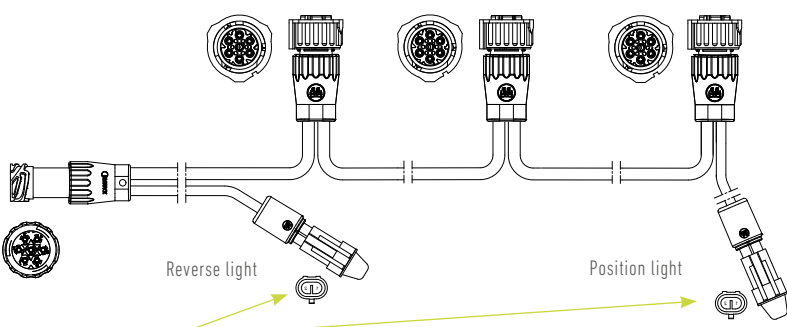
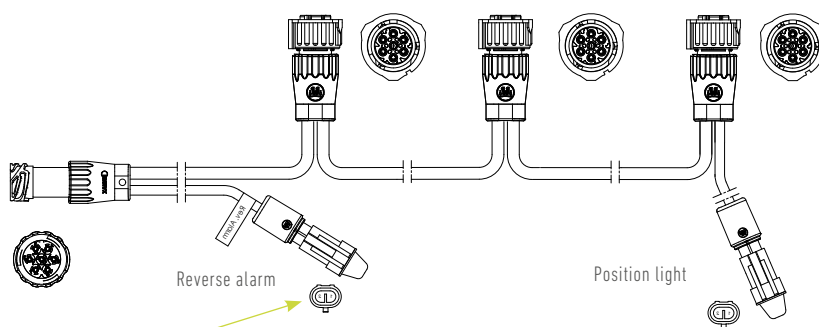
Cables for chassis



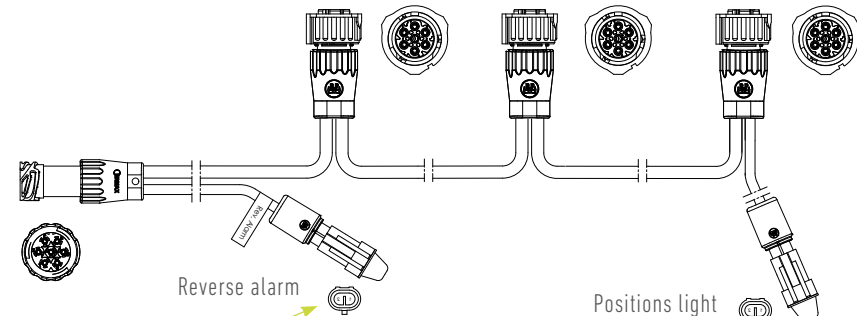

Rear cable adapter

	Application/ Description	Article No.
<p>➤ SCANIA</p>	<p>Rear cable adapter, 7 core, 300 mm</p> <p>7 poled AMP 1.5 socket > plug 2x2 poled outlet with Super Seal socket (ISO 12098 pin 8 reverse light / pin 3 rear fog light) Conductor cross-section: $6 \times 1 \text{ mm}^2 + 1 \times 2,5 \text{ mm}^2 / 2 \times 1 \text{ mm}^2$ Cable type: FLRY / PVC</p>	<p>394 003 001</p>
<p>➤ UNIVERSAL ➤ SCANIA / ERMAX STANDARD</p>	<p>Rear cable adapter, 7 core, 300 mm</p> <p>7 poled AMP socket > plug. 2 x 2 poled Super Seal sockets with position light and reversing light (with blinds mounted) Conductor cross section : $7 \times 1,0 \text{ mm}^2 / 2 \times 0,5 \text{ mm}^2$. Cable type : FLRY.</p>	<p>394 003 002</p>
<p>➤ VOLVO</p>	<p>Rear cable adapter for Volvo, 7 core, 300 mm</p> <p>7 poled AMP socket > plug. 2 x 2 poled Super Seal sockets with position light and reversing light (with blinds mounted)</p> <p>Conductor cross section : $7 \times 1,0 \text{ mm}^2 / 2 \times 0,5 \text{ mm}^2$. Connections for position light (Pin 4) and reversing light (Pin 5) with Volvo pin-configuration. Cable type : FLRY.</p>	<p>394 003 003</p>

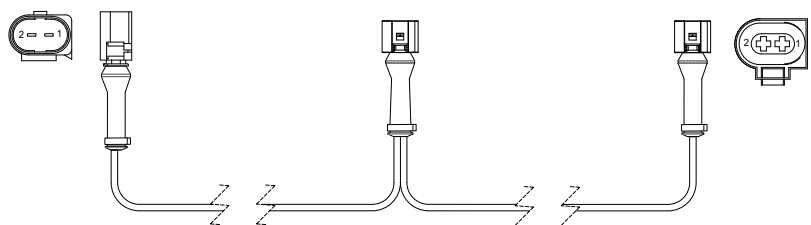
Rear cable

	Application/ Description	Article No.
<p>➤ UNIVERSAL</p> <p>Easy to connect additional reverse and position lights with 2 poled Super Seal outlets</p>	<p>Rear cable 6 core - single, chain</p> <p>7 poled AMP 1,5 socket, straight > 2 x 7 poled AMP 1,5 plug, straight Conductor cross-section: 6x1 mm² / 2x1 mm² Cable type: FLRY Y / PVC</p> <p>6 core 800 mm</p> <p>With 2 x 2 poled outlet with Super Seal for position light and reverse light</p> 	<p>494 008 664</p>
<p>➤ SCANIA</p> <p>➤ VOLVO</p> <p>➤ RENAULT</p> <p>➤ MERCEDES</p> <p>➤ MAN</p> <p>➤ DAF</p> <p>➤ IVECO</p> <p>Easy to connect additional reverse and position lights with 2 poled Super Seal outlets</p>	<p>Rear cable 6-core - single, chain</p> <p>AMP 1,5 socket, straight > 3 x AMP 1,5 plug, straight Conductor cross-section: 6x1 mm² / 2x1 mm² Cable type: FLRY Y / PVC</p> <p>6 core 1.200 mm</p> <p>With 2 x 2 poled outlet with Super Seal for position light and reverse light</p> 	<p>494 012 666</p>
<p>➤ VOLVO</p> <p>➤ RENAULT</p> <p>Possibility for outlet for the reverse gear alarm, which can be disconnected manually from the truck</p>	<p>6 core 1.200 mm</p> <p>With 2 x 2 poled outlet with Super Seal for position light and reverse alarm</p> <p>OBS: Pin no. 7 in the 7 poled AMP plug is for the reverse gear alarm</p> 	<p>494 012 667</p>

Rear cable

	Application/ Description	Article No.
<ul style="list-style-type: none"> > SCANIA > VOLVO > RENAULT > MERCEDES > MAN > DAF > IVECO 	<p>Rear cable 6 core 1.200 mm</p> <p>With 2 x 2 poled outlet with Super Seal for position light and reverse alarm OBS: pin no. 7 in the 7 poled AMP plug in the reverse gear alarm</p> 	 <p>494 012 668</p>

Side cable

	Application/ Description	Article No.
<ul style="list-style-type: none"> > SCANIA > VOLVO > RENAULT > MERCEDES 	<p>Side cable, 2 core - chain</p> <p>For extension of original cable for side marker lights</p> <p>1 x inlet with MCP2 socket 2 x outlet with MCP2 plug</p> <p>Conductor cross-section: 2x0,5 mm² Cable type: FLRY / PVC</p> <p>3.900 mm Distance between plugs: 1 x 200 mm + 1 x 3.700 mm</p> 	<p>694 039 205</p>

Y-adapter

Application/ Description

Article No.

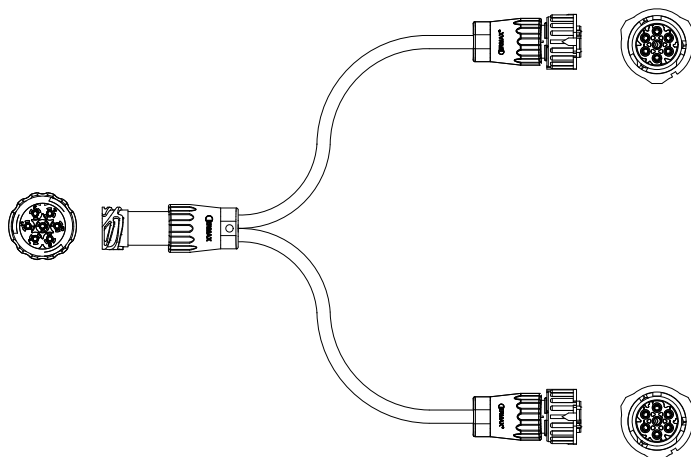
► UNIVERSAL

Y-adapter cable 7 core, 2 x 300 mm



2 x 7-poled AMP plug > 1 x 7-poled AMP 1,5 socket
 Conductor cross section: 7x1 mm²
 Cable type: FLRY / PVC

894 003 740



► VOLVO

Y-adapter cable, 7 core

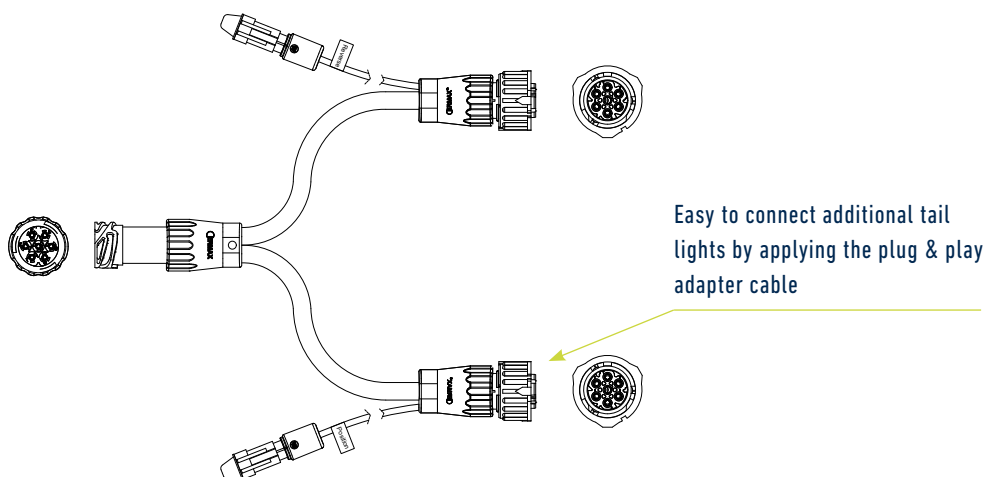
2x2 poled outlet (200 mm) with Super Seal socket for position and reverse light.

Conductor cross-section: 7x1,0 mm² / 2 x 1,0 mm².
 Cable type: FLRY / PVC

2 x 300 mm

For connection of an additional tail light on the Volvo truck.

894 003 745

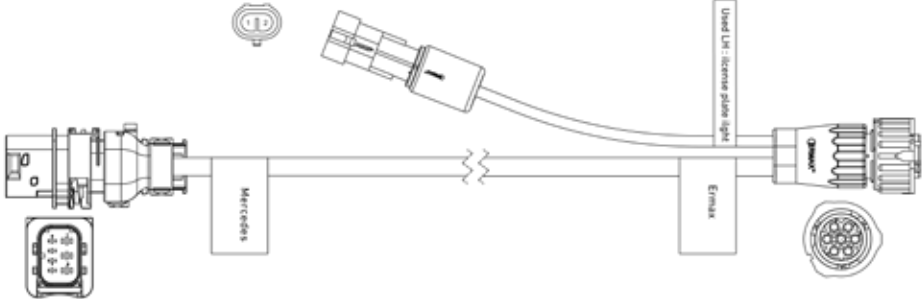
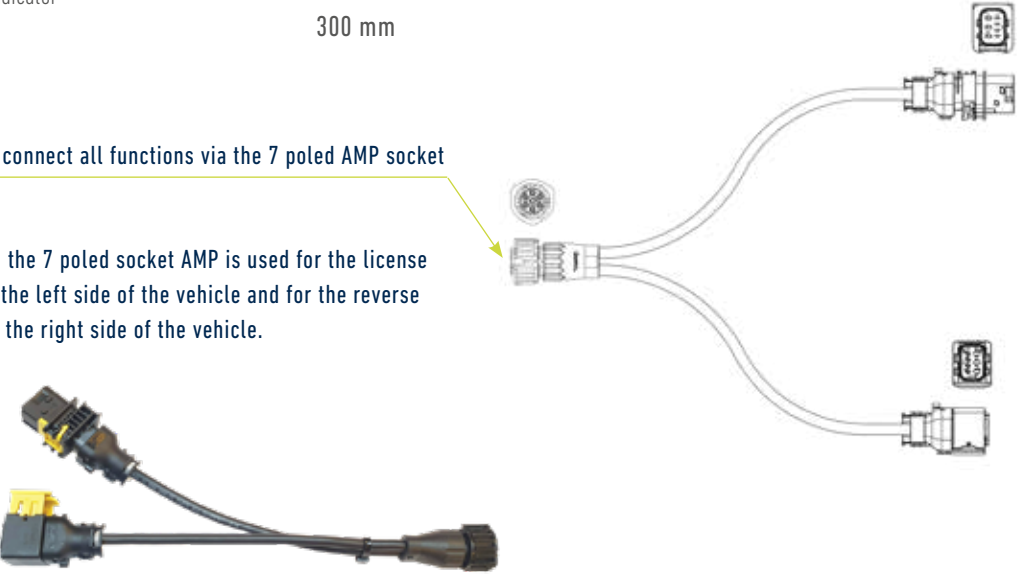


OBS: The 7 core rear cable makes it possible to manually disconnect the reverse alarm from the truck

Adapter cable

	Application/ Description	Article No.
<p>➤ VOLVO</p> <p>➤ RENAULT</p>	<p>Y-adapter cable, 7 core</p> <p>6 core 3700 mm cable with 7-poled AMP plug > 7 poled AMP socket > 900 mm cable with 7-poled AMP plug Conductor cross-section: 6 x 1,0 mm² og 7 x 1,0 mm² Cable type: FLRYY / PVC</p> <p>3.700 mm</p> <p>OBS: Easy to connect additional tail lights by applying the plug & play adapter cable (double mounting)</p>	<p>894 037 744</p>
<p>➤ VOLVO</p> <p>➤ RENAULT</p> <p>Volvo connection :</p> <ul style="list-style-type: none"> 1 : Ground 2 : Dir. indicator 3 : Stop 4 : Position 5 : Reverse 6 : Rear fog 7 : = 7 in ERMAX 	<p>Adapter cable, 7 core - for connection of Ermax tail lights</p> <p>7 poled AMP plug (Ermax) <-> 7 poled AMP socket (Volvo) Conductor cross-section: 7x1 mm² Cable type: FLRYY / PVC</p> <p>300 mm</p>	<p>994 003 200</p>
<p>➤ MERCEDES</p> <p>Mercedes connection :</p> <ul style="list-style-type: none"> 1 : Position 2 : Rear fog 3 : Ground 4 : Direction indicator 5 : Reverse 6 : Stop 7 : = 7 in ERMAX 	<p>Adapter cable, 7 core - for connection of Ermax tail lights</p> <p>7 poled AMP plug (ERMAX) <-> 7 poled HD SCS socket (MB) Conductor cross-section: 7x1 mm² Cable type: FLRYY / PVC</p> <p>300 mm</p>	<p>994 003 210</p>

Adapter cable

	Application/ Description	Article No.
<p>➤ MERCEDES</p>	<p>Adapter cable, 7 core - for connection of Ermax tail lights</p> <p>7 poled AMP plug (ERMAX) <-> 7 poled HD SCS socket (MB) Conductor cross-section: 7x1 mm² Cablet type: FLRY Y / PVC</p> <p>300 mm</p> <p>With 1 x 2 poled outlet with Super Seal socket for reversing alarm/license plate light. The Super Seal connector is providing connection for reversing alarm when installed in the right side and license plate light when installed in the left side.</p> 	<p>994 003 211</p>
<p>➤ MERCEDES</p> <p>Pin configuration HD SCS :</p> <ul style="list-style-type: none"> 1 = Position 2 = Rear fog 3 = Ground 4 = Direction indicator 5 = Reverse 6 = Stop 7 = AUX <p>Possibility to connect all functions via the 7 poled AMP socket</p> <p>AUX (pin 7) in the 7 poled socket AMP is used for the license plate light in the left side of the vehicle and for the reverse gear alarm in the right side of the vehicle.</p> 	<p>Adapter cable, 7 core - Mercedes > Mercedes - complementary part for 994 003 290 (see page 206)</p> <p>7 poled HD SCS prop (MB) <-> 7 poled HD SCS socket (MB) With 7-poled AMP socket containing all functions. Conductor cross-section: 7x1 mm² Cable type: FLRY Y / PVC</p> <p>300 mm</p>	<p>994 003 213</p>

Adapter cable

Application/ Description	Article No.
--------------------------	-------------

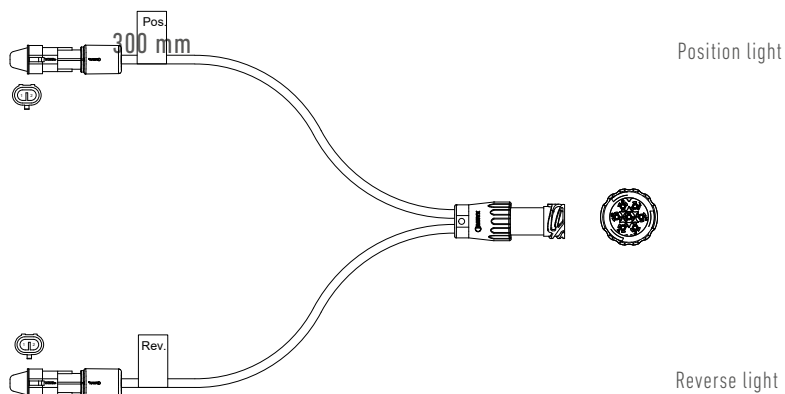
➤ MERCEDES

Adapter cable, 7 poled - complementary part for 994003213

Pin configuration 7poled AMP socket:
 1 = Ground (-)
 2 = Position
 3 = Reverse

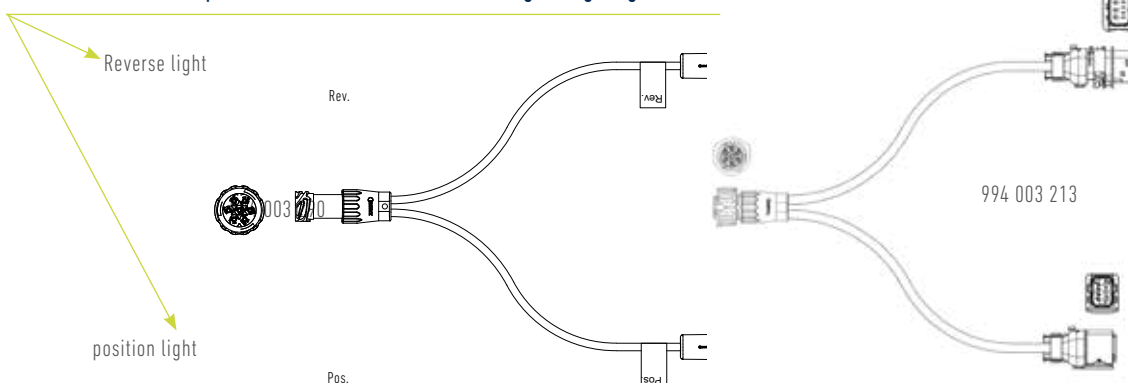
7 poled AMP socket > 2 x super seal socket with outlet for position and reverse light
 Conductor cross-section: 2x0,5 mm²
 Cable type: FLRYY / PVC

Pin configuration super seal socket:
 1 = Ground (-)
 2 = Reverse / Position



994 003 290

OBS: It is possible to install reverse and position light with the adapter 994 003 290 via the Super Seal outlets, for vehicles with original lighting mounted,



➤ MAN

Adapter cable, 7 poled - for connection of Ermax tail lights

MAN connection :
 1 : Ground
 2 : Position
 3 : Reverse
 4 : Direction indicator
 5 : Stop
 6 : Rear fog
 7 : NC

7 poled AMP plug (ERMAX) <-> 7 poled LEAR socket (MAN)
 Conductor cross-section: 7x1 mm²
 Cable type: FLRYY / PVC

300 mm



994 003 220

Adapter cable

	Application/ Description	Article No.
--	--------------------------	-------------

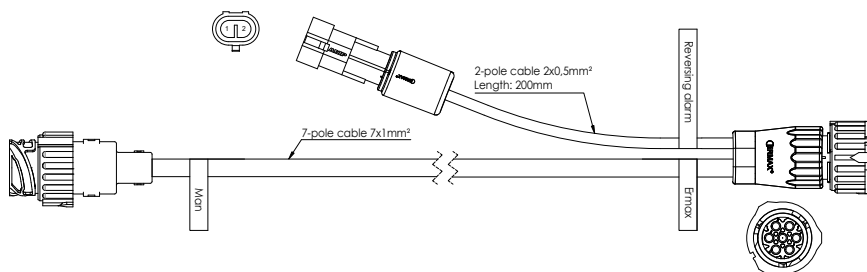
➤ **MAN**

Adapter cable, 7 poled - for connection of Ermax tail lights

7 poled AMP plug (ERMAX) ↔ 7 poled LEAR socket (MAN)
 Conductor cross-section: 7x1 mm²
 Cable type: FLRY / PVC

300 mm

With 1 x 2 poled outlet with Super Seal socket for reversing alarm/license plate light.
 The Super Seal connector is providing connection for reversing alarm when installed in the right side and license plate light when installed in the left side.



994 003 221

➤ **DAF**
 ➤ **IVECO**

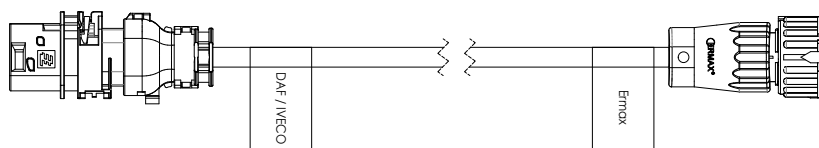
Adapercable, 7-polet - for connection of Ermax tail light

7 poled AMP plug (Ermax) ↔ 8 poled HDSCS socket (DAF)
 Conductor cross-section: 7x1 mm²
 Cable type: FLRY / PVC

300 mm

DAF connection :

- 1 : Ground
- 2 : Aux (Right applies as gound for reverse gear alarm)
- 3 : Not Connected
- 4 : Rear fog
- 5 : Position
- 6 : Reverse
- 7 : Direction indicator
- 8 : Stop



994 003 230

Adapter cable

Application/ Description	Article No.
--------------------------	-------------

➤ **DAF**
➤ **IVECO**

Pin configuration HD SCS :

- 1 = Ground
- 2 = AUX
- 3 = Not connected
- 4 = Rear fog
- 5 = Tail light
- 6 = Reverse
- 7 = Dir. indicator
- 8 = Stop

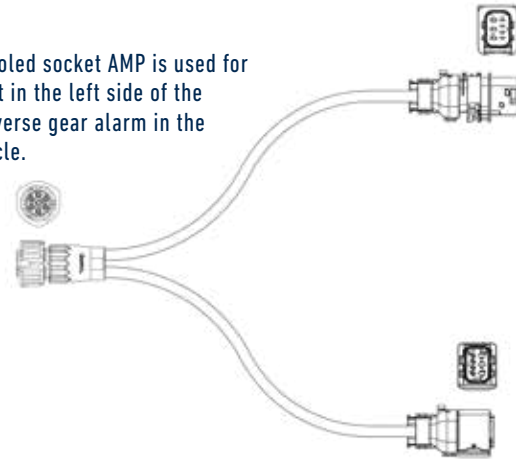
Adapter cable, 8 core - DAF > IVECO - complementary part for 994 003 290

8 poled HD SCS prop <-> 8 poled HD SCS socket (DAF/IVECO)
With 7-poled AMP socket containing all functions.
Conductor cross-section: 7x1 mm²
Cable type: FLRY / PVC

300 mm

AUX (pin 7) in the 7 poled socket AMP is used for the license plate light in the left side of the vehicle and for the reverse gear alarm in the right side of the vehicle.

Possibility to connect all functions via the 7 poled AMP socket



994 003 232

Adapter cable, 7 poled - complementary part for 994003213

Pin configuration 7poled AMP socket:

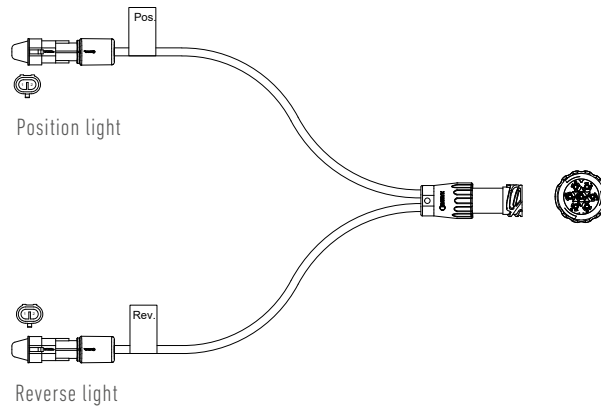
- 1 = Ground (-)
- 2 = Position
- 3 = Reverse

Pin configuration super seal socket:

- 1 = Ground (-)
- 2 = Reverse / Position

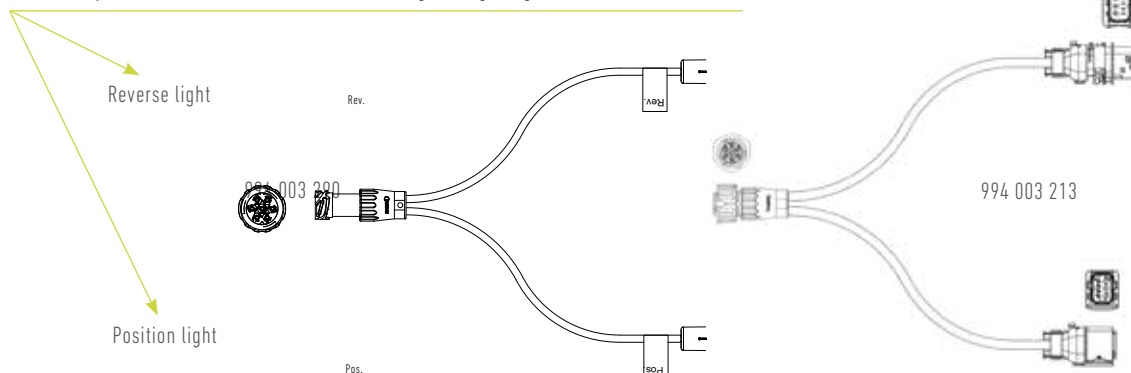
7 poled AMP socket > 2 x super seal socket with outlet for position and reverse light
Conductor cross-section: 2x0,5 mm²
Cable type: FLRY / PVC

300 mm



994 003 290

OBS: It is possible to install reverse and position light with the adapter 994 003 290 via the Super Seal outlets, for vehicles with original lighting mounted,



Extension / Adapter cable

Application/ Description

Article No.

► MERCEDES

Adapter cable, 4 core

2 poled Super Seal plug > 4 poled AMP socket.
 Conductor cross-section: 2x1 mm²
 Cable type: FLRYY / PVC



500 mm - Mercedes

500 mm - Volvo / Renault

994 005 116

994 005 118



Mercedes/Volvo/Renault

Pin configuration - 2 poled Super Seal plug

Position	Color	Function
1	Brown	Ground (-)
2	Blue	Permanent power supply (+)



Mercedes

Pin configuration - 4 poled AMP plug

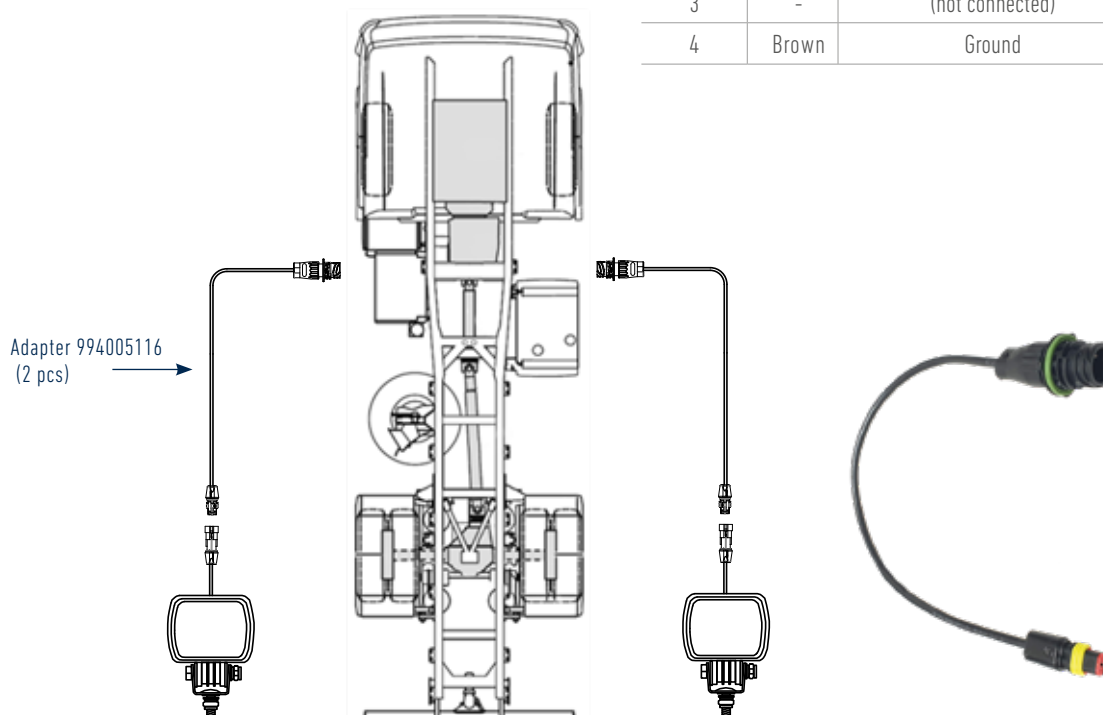
Position	Color	Function
1	Blue	Permanent power supply (+)
2	Brown	Ground (-)
3	-	(not connected)
4	-	(not connected)

Volvo/Renault

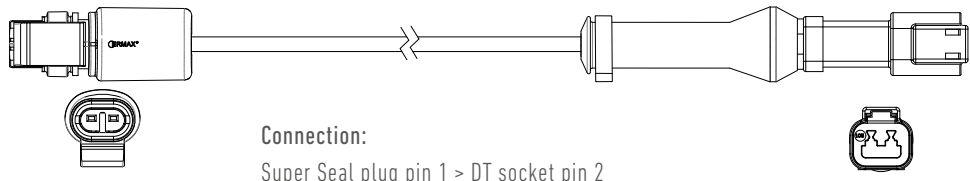
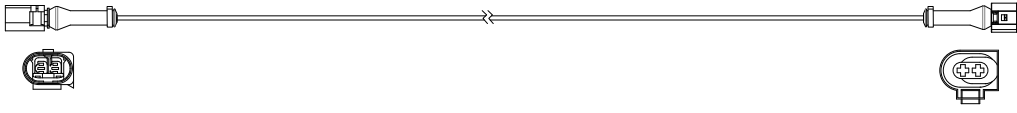
Pin configuration - 4 poled AMP plug

Position	Color	Function
1	Blue	+24V
2	-	(not connected)
3	-	(not connected)
4	Brown	Ground

It is possible to install work lights with the 4 poled AMP plug placed in front of the truck by using the ERMAX adapter. Easy and simple, also for retrofittings.



Extension cable

	Application/ Description	Article No.
<ul style="list-style-type: none"> ➤ VOLVO ➤ SCANIA 	<p>Extension cable 2 core</p> <p>2 poled Super Seal plug > 2 poled Deutsch (DT2) socket</p> <p>Adapter for work lamps on Volvo and Scania</p> <p>Conductor cross section: 2 x 1 mm²</p> <p>Cable type: FLRY Y / PVC</p> <p>200 mm</p>  <p>Connection: Super Seal plug pin 1 > DT socket pin 2 Super Seal plug pin 2 > DT socket pin 1</p>	<p>994 002 130</p>
	<p>Extension cable 2 core</p> <p>2 poled MCP2 plug > 2 poled MCP2 socket with rubber grommets.</p> <p>Conductor cross section: 2 x 0,5 mm²</p> <p>Cable type: FLRY Y / PVC</p> <p>3000 mm</p> 	<p>794 030 290</p>

SIMAC[®] Solutions



SIMAC[®] Solutions

Control of flashing side marker



The ERMAX solution is called SIMAC®

Compliant to legislation with unique flexibility

Control of flashing side marker lights ECE 48 since November 2017

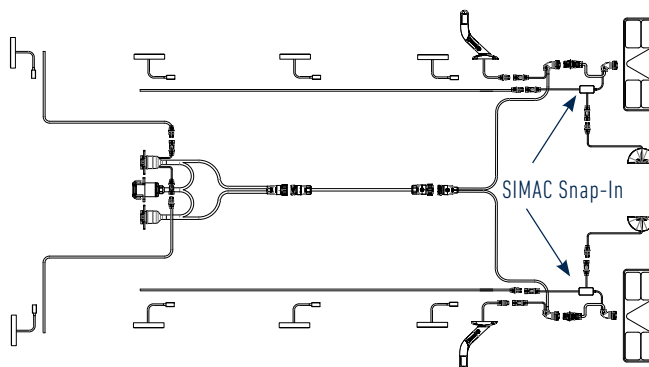
With the ECE regulation No. 48 (Changes series 06) it is prescribed that the side marker lights must flash synchronously and simultaneously with the direction indicators (in the tail light) – this is mandatory for vehicles – class 03 and 04 - being homologated after November 18 2017.

Ermac SIMAC® ensures the compliance with the legislation
 – we will advise the optimal application

SIMAC: side marker light Control

SIMAC "Snap-In" Modul

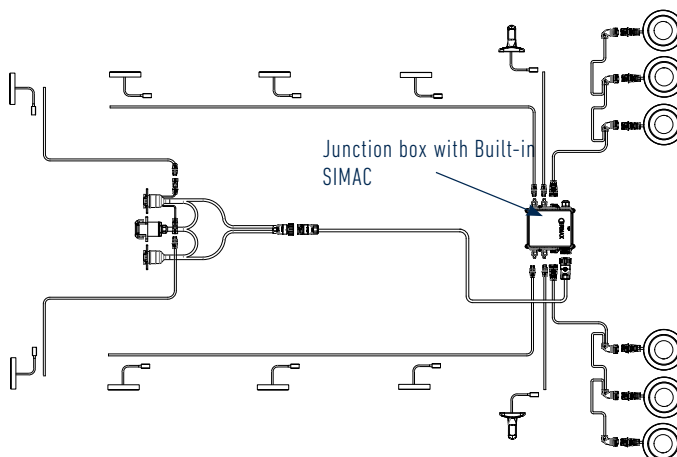
- Ideal for any application, even in retrofit
- The flexible solution in order to keep an existing kit configuration almost unchanged



Product information in the cable section

SIMAC integrated in the junction box

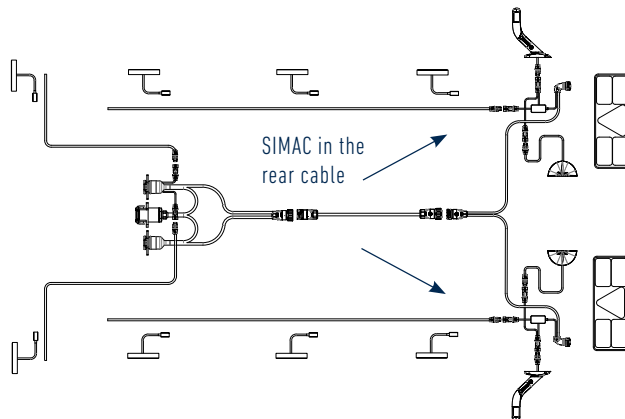
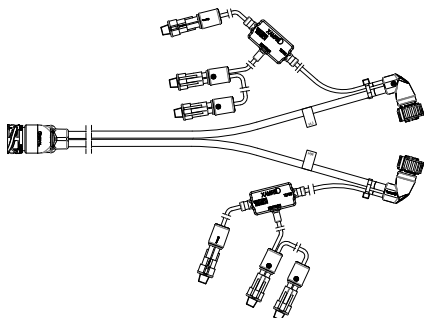
- Mounted in a secure and protected position with ideal plug connection to the system
- The best possible solution especially when 3 & 2 function lights are being used



Product information in the junction box section

SIMAC integrated in the rear cable

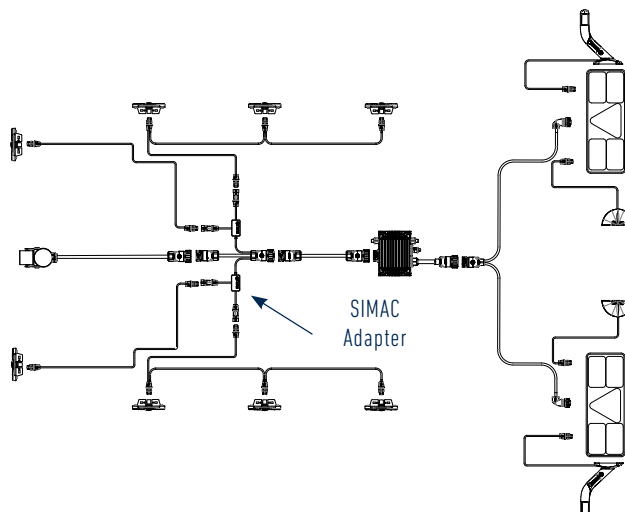
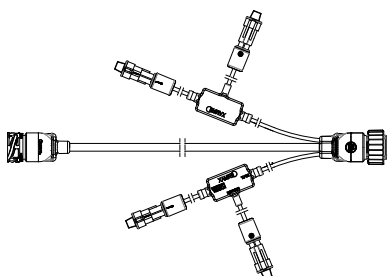
- Optimised design for easy mounting
- Ideal for the lean high-volume solution



Product information in the cable section

SIMAC as adapter in the main cable

- Allows mounting of side cables from front to back
- Recommendable when a LED control box is used in the cable system



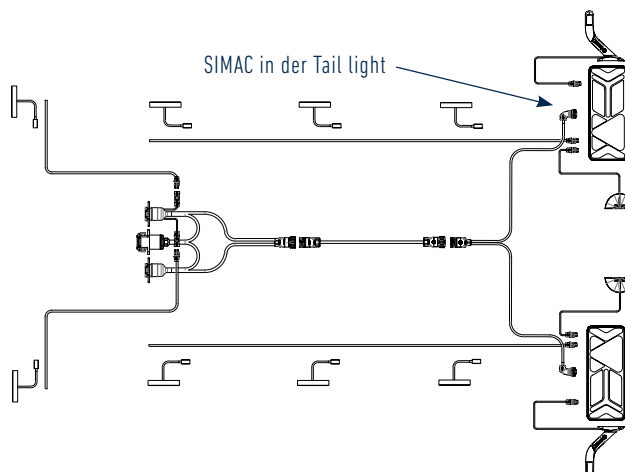
Product information in the cable section

SIMAC in der tail light integrated

- The easy and ideal solution without external modules
- No further parts or components needed

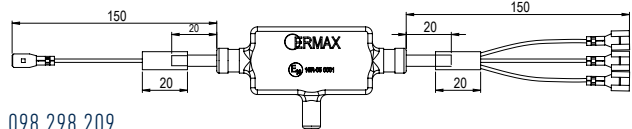


TM11 LED

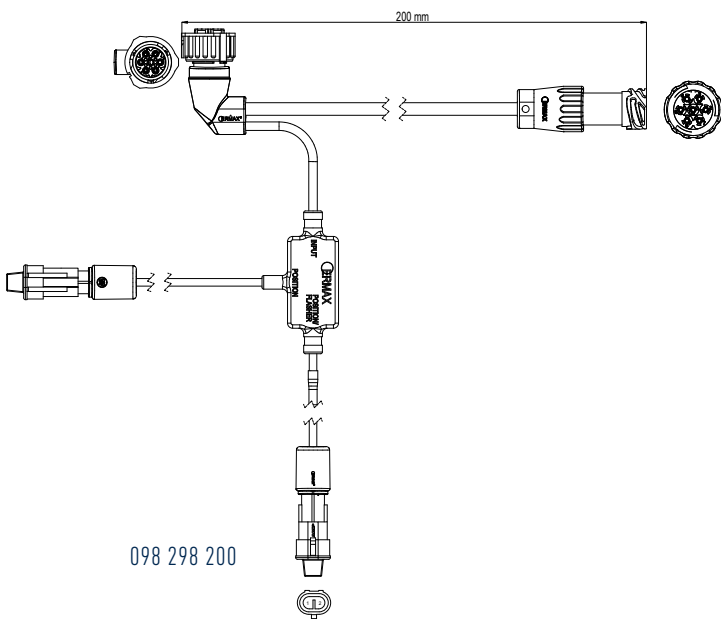


Product information in the TM11 tail light section

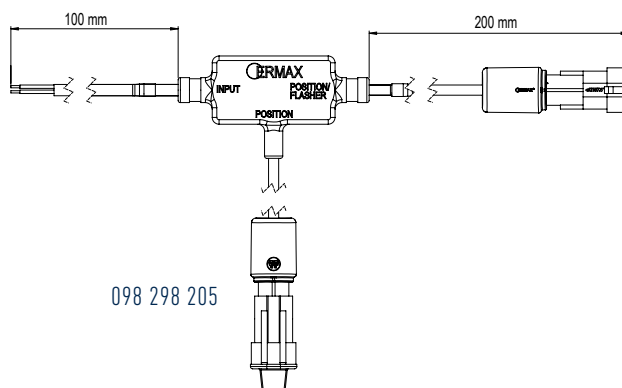
SIMAC - Side marker control unit



098 298 209



098 298 200



098 298 205

Controlling the side marker lights. By activating the direction indicator, the side marker light will flash simultaneously.

To be connected between rear cable and tail light.

With connections for outer end marker light (permanent position light) and for side marker chain

One unit for each side is required.



IP Rating	Inlet	Outlet	Operating Voltage	Article No.
IP67	1x7 poled AMP socket + 1x7 Poled AMP plug	1x Super Seal socket of 200 mm cable for permanent position light 1x Super Seal socket of 200 mm cable for side marker chain.	12/24V	098 298 200
IP67	3 core Open end cable Ground: White Position: Green Dir. indicator: Yellow	1x Super Seal socket of 200mm cable for permanent position light 1x Super Seal socket of 200mm cable for side marker chain.	12/24V	098 298 205
IP67	3 core Open end cable Ground: White Position: Green Dir. indicator: Yellow	1 core 150 mm blue wire for side marker lights with male connector	12/24V	098 298 209

Electronic control units



Electronic control boxes - applications

Light failure control



Failure at an indicator must for vehicles with a permission for driving in public traffic be shown optically or acoustically. This regulation is valid for all EU countries (EU Regulation 48 Art. 6.55.8).

If there is a surveillance of the brake light at the pulling vehicle there must also be a failure indicator for the brake lights.

As a LED light has a very low consumption there might be problems with the failure control at certain trucks. The low consumption is estimated as failure of the light control and shown as a failure.

Using the ERMAX LED control box the LED tail lights are tested and a resistance for indicator and stop function is mounted.

Should the consumption of the LED fall to below 10 mA (LED light or connections are defect) the resistance is disconnected, and the failure will be shown at the dashbord in the driver's cab according to the regulation.

Disclaimers:

A failure control device must not have any influence on the vehicle mileage log book of the trucks, and therefore Ermax cannot grant an overall guarantee that the application will work perfectly at all trucks.

Intelligent LED Control Units for monitoring and failure control of LED tail lights

No worries - suitable for all types of vehicles regardless of the truck

ERMAX LED Control units - Compatible with all truck brands*

The new ERMAX LED control units are compatible with the older monitoring technologies as well as with the new ISO13207 standard for failure control. This means, that all known vehicles and trucks regardless of production year* can communicate with the new ERMAX LED failure control units no matter which truck a trailer is combined with.



LED Control unit 24V, universal
- suitable for all tail lights functions



LED Control unit 24V,
for both directions indicator - and stop light functions



LED Control unit 24V,
for both directions indicator- and stop light functions
- are integrated in the tail lights TM11 and TM12



LED Control box 24V,
for direction indicator- and stop light functions as well as
junction box (also version with integrated SIMAC®)

Highlights

* Valid for all known brands within EU as of 12/2020

- ERMAX LED Control units are compatible with all brands and building-year of trucks produced in EU*, meaning, that a trailer with ERMAX LED failure control can be combined with all towing vehicles, old as new
- Use a technology which is NOT limited to ISO13207 and therefore suitable for all vehicles*
- Easy and flexible built-in of the small compact variants due to the long cables, meaning that they can either be mounted directly behind the tail lights or mounted further ahead at the front under the vehicle
- The combined control unit for main cable installation combines both monitoring of the light functions, SIMAC® and at the same time function as a junction box
- The new LED failure control technology is already used as an integrated part of the ERMAX tail lights TM11, TM12, TM17 and TM18.
- Approvals: ADR, EMC-R10



TM11 LED Tail light



TM12 LED Tail light



TM17 LED Tail light



TM18 LED Tail light

TECHNICAL SPECIFICATIONS

LED Control Unit 24V - Failure control LED tail lights

ERMAX LED Control Units - Applications

Ermac LED control units technology is already used today in several variants in order to solve the known problems concerning light monitoring.

Ermac LED control units monitor the direction indicator light function and / or the stop light function, and ensure full failure control, when LED tail lights are used at the trailer. In case of light failure, the light monitoring system at the truck is activated according to the regulation ECE 48.

The small compact LED control unit with AMP plug connections is easily mounted in front of the tail light in the right or left side. One variant monitors the direction indicator light function (098 298 146) and can be combined with the variant which monitors the stop light function (098 298 148).

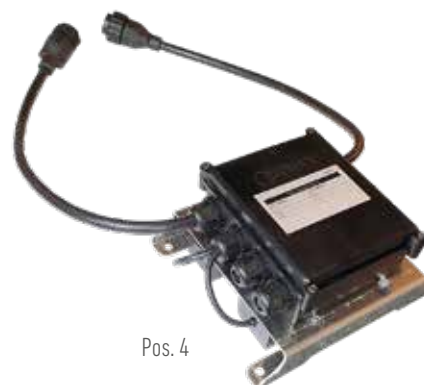
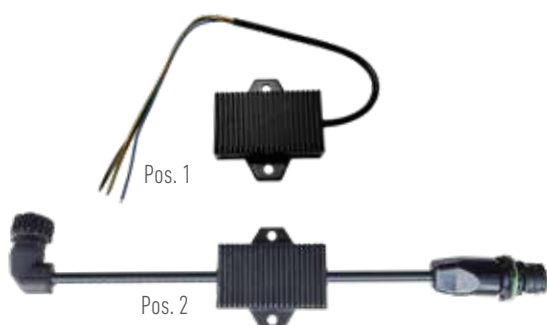
If no AMP plugs are used, a universal variant with Open-end can be used for all tail light functions (one unit per function – 098 298 144).

By a complete ERMAX lighting installation the easiest variant to use, is the combined control box, which monitors both direction indicator- and stop-light functions (098 298 160). This is also available in a variant with SIMAC® (control of flashing side marker lights) (098 298 170) and both variants function also as a junction box, where all tail light functions can be reached.



Failure control function	Inlet	Outlet	Dimension (Control unit)	Distance mounting holes	Pos.	Article No.
Universal - for all tail light functions (one unit per function)	--	400 mm cable with Open-end	120 x 52 x 30 mm	70 mm / Ø8,5 mm	1	098 298 144
Indicator light	850 mm cable with 7-poled AMP socket	600 mm cable with 7-poled AMP plug	120 x 52 x 30 mm	70 mm / Ø8,5 mm	2	098 298 146
Stop light	1.800 mm cable with 7-poled AMP socket	1.500 mm cable with 7-poled AMP plug	120 x 52 x 30 mm	70 mm / Ø8,5 mm	2	098 298 148
Indicator- and stop light (one unit per function)	Mounting at the back of the housing of TM11 og TM12 Connection with 3 spring-loaded contact pins		118 x 38 x 25 mm	-	3	098 298 149
Indicator- and stop light and also junction box*	500 mm cable with 15-poled Ermac bayonet socket	500 mm cable with 15-poled Ermac bayonet plug	285 x 270 x 170 mm	250 x 240 mm / 4 x Ø8,5mm	4	098 298 160
Indicator- and stoplight, SIMAC and junction box*	500 mm cable with 15-poled Ermac bayonet socket	500 mm cable with 15-poled Ermac bayonet plug	285 x 270 x 170 mm	250 x 240 mm / 4 x Ø8,5mm	4	098 298 170

* The LED Control box 098 298 160 and 098 298 170 functions as junction box and give the possibility to reach outlets of all ISO12098 light connections.

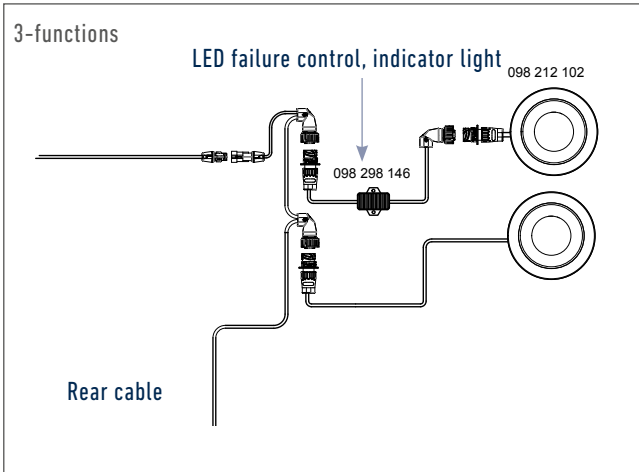


TECHNICAL SPECIFICATIONS

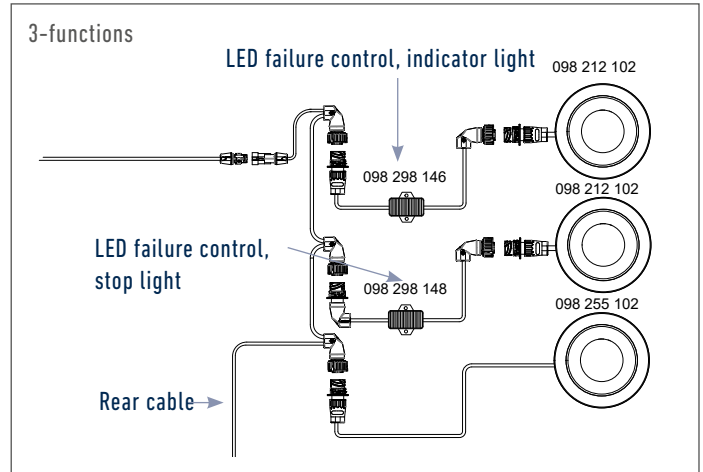
LED Control Unit 24V - Failure control LED tail lights

Examples of applications

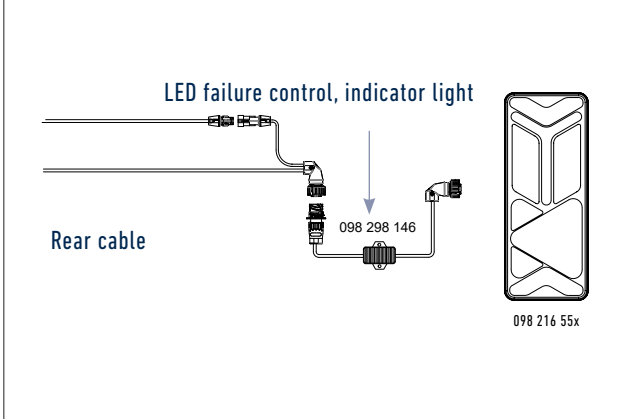
Ex: Configuration with failure control of indicator light



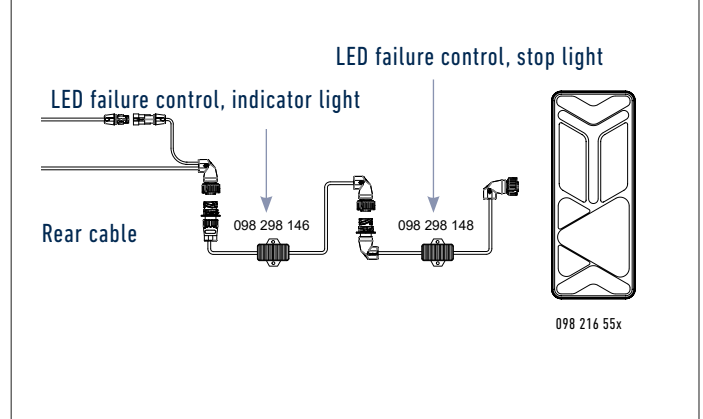
Ex: Configuration with failure control of indicator- & stop light



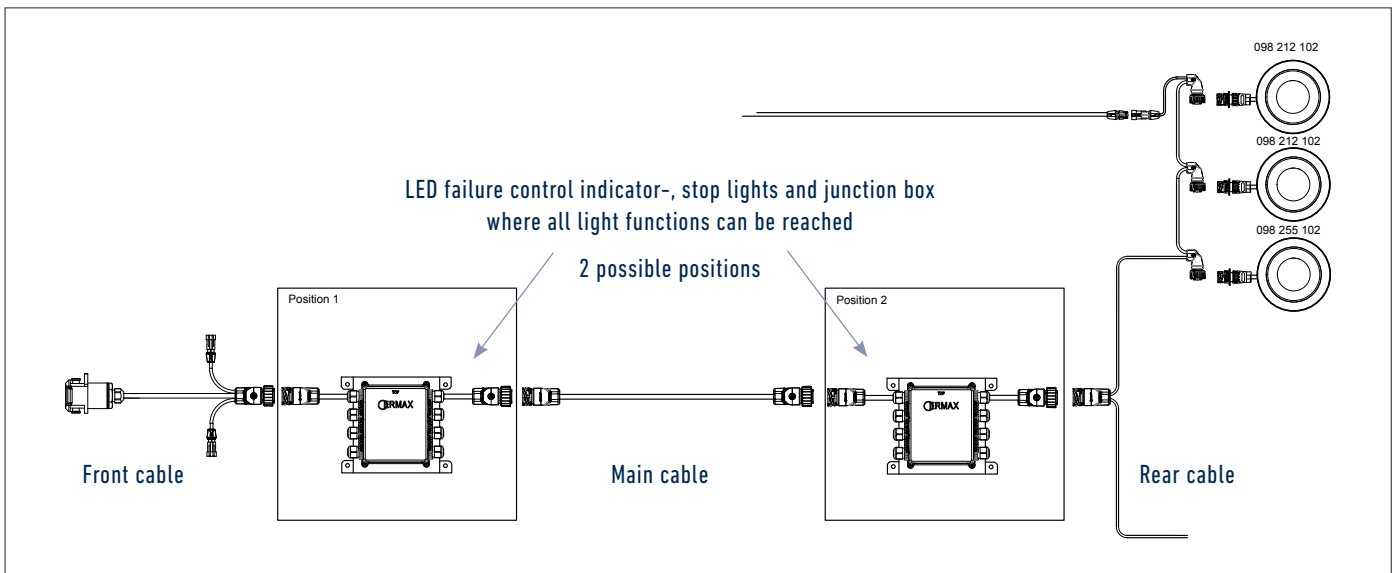
7-functions



7-functions



Ex: Configuration with failure control of indicator- & stop light - and junction box function

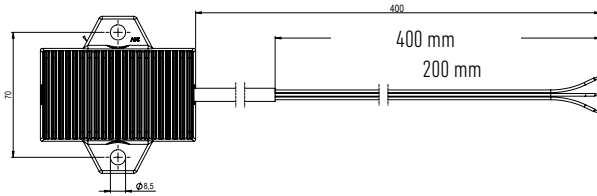


TECHNICAL SPECIFICATIONS

LED Control Unit 24V - Failure control LED tail lights

Drawings / Dimensions

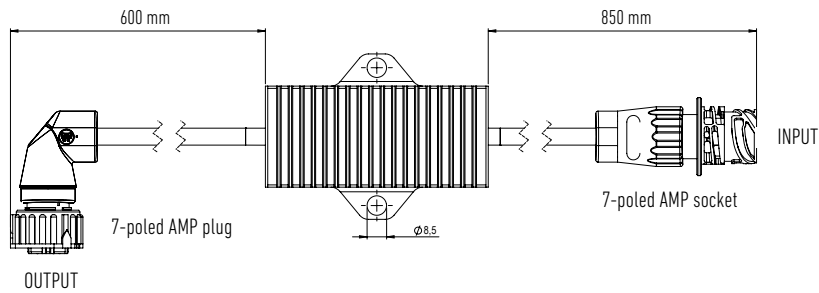
098 298 144



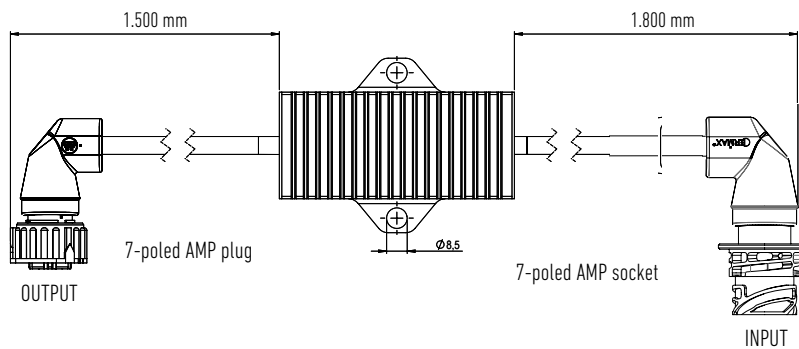
Contact assignment

Position	Colour	Function	Description
1	Brown	Ground	Minus
2	Blue	Input	Switch / Relay
3	Yellow - Green	Output	Tail light / light functions

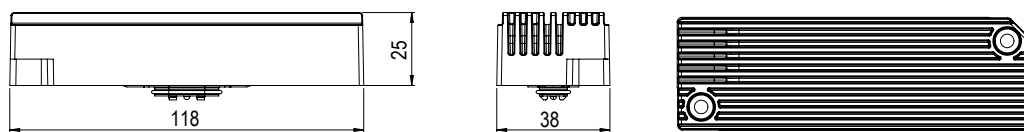
098 298 146



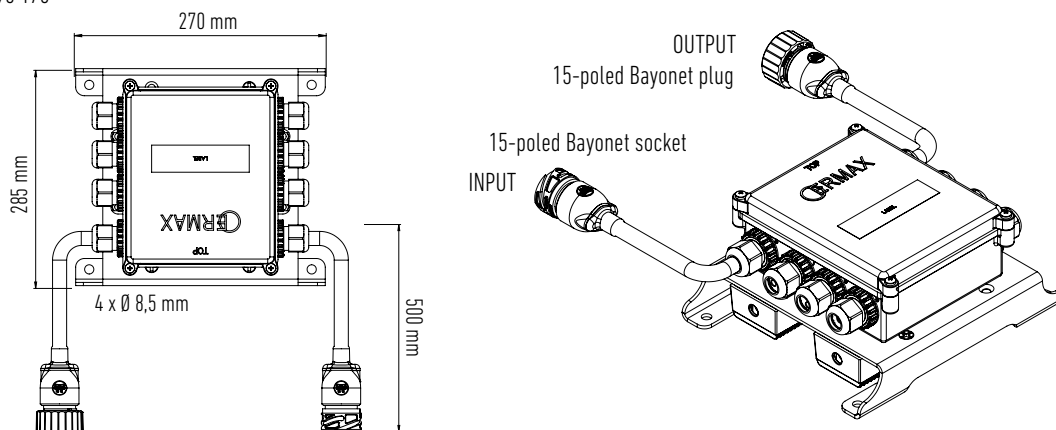
098 298 148



098 298 149



098 298 160 / 098 298 170



RLC - control unit for reversing lights



RLC – Reversing light control device

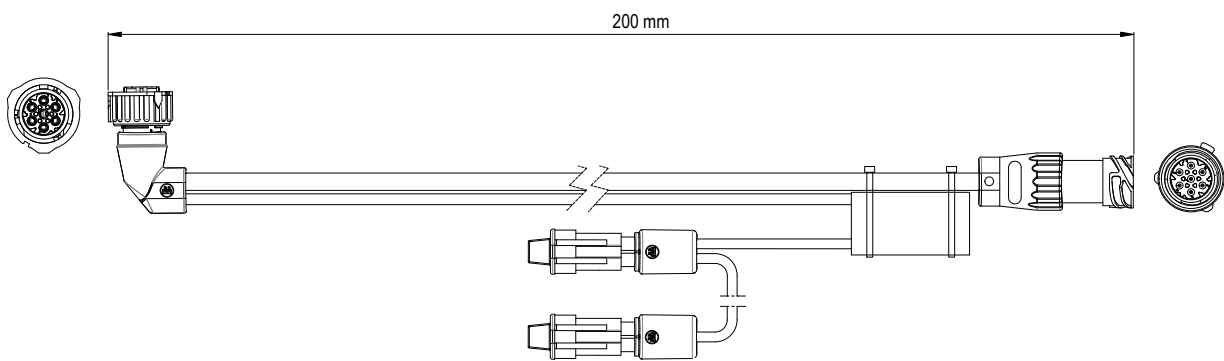
Controlling the additional reversing lights.

According to ECE R48 6.4.7.2., the additional reversing lights are only allowed illuminate if the position light is on.

The adapter can be inserted in front of the tail light or to a tail light connection on a junction box.

Two Super Seal sockets are available for connecting the reversing light.

Only one adapter is needed and can be installed in the left or right side.



Maximum total load on both Super Seal connectors :

- 80W by LED reverse lights
- 120W by bulb reverse lights.



IP-Rating	Inlet	Outlets	Operating Voltage	Article No.
IP69K	1x7 pin AMP plug + 1x7 pin AMP socket.	1x Super Seal socket on 200 mm cable for the reversing lights	12/24V	098 298 250

ADR-approved. (EMC approval is not required due to the construction)

Junction boxes



Junction Boxes

Standardized solutions for optimal configuration

The 3 standard series are well-suited for the following applications:

Universal Junction Box

The universal junction box is without pre-configured connections and cable exits and thus universal for various applications.

The cable entries are prepared for different cable dimensions and can – if needed – be replaced with other cabling sizes, Super Seal sockets or 7 poled AMP sockets.

Pass-through Junction Box

The pass-through junction box has 15 poled plug and socket and is placed between the main cable and the rear cable. All functions are available in the junction box and can by means of the cable entries be safely connected.

According to need the cable entries can be replaced with Super Seal sockets or 7poled sockets.

Rear connection Junction Box

This junction box is connected at the end of the main cable and has connections or cable for the tail lights. Further there is connection to all functions through pre-configured sockets or cable entries.

Your advantages with the Ermax solutions:

- Unique flexibility due to fast and easy replacement of cable entries and sockets (Super Seal and 7 poled AMP sockets)
- Time-saving and easy built-in of the junction box due to pre-cabling
- Various free cable entries for universal use
- 2 sizes are available. Connection to terminal plate or terminal block.
- Locking braze to hold the cover can be retrofitted.



UNIVERSAL JUNCTION BOX



PASS-THROUGH JUNCTON BOX



REAR CONNECTION BOX

Junction box Standard program - overview



Box Type	Cover	Inlet	Outlet	Connection - Cable gland	Integrated SIMAC control	Article No.
Universal-Box	Low	Cable gland with grommet Ø13-11 mm	--	1 x Cable gland with grommet Ø7-11 mm 2 x Cable gland with grommet Ø4-6 mm 4 x Cable gland with grommet 2 x Ø5,5 mm		099 864 100
	High	Cable gland with grommet Ø13-11 mm	--	4 x Cable gland with grommet Ø7-11 mm 8 x Cable gland with grommet Ø4-6 mm 1 x Cable gland with grommet 2 x Ø5,5 mm		099 864 500
Pass-through Box	Low	15 poled Ermax bayonet socket with 500 mm cable	15 poled Ermax bayonet plug with 500 mm cable	1 x 2 pin Super Seal socket for positions light, right 1 x 2 pin Super Seal socket for positions light, left 2 x Cable gland with grommet Ø4-6 mm 2 x Cable gland with grommet 2 x Ø5,5 mm		099 864 151
	Low	15 poled Ermax bayonet socket with 500 mm cable	15 poled Ermax bayonet plug with 500 mm cable	2 x Cable gland with grommet Ø4-6 mm 4 x Cable gland with grommet 2 x Ø5,5 mm		099 864 150
	High	15 poled Ermax bayonet socket with 500 mm cable	15 poled Ermax bayonet plug with 500 mm cable	6 x Cable gland with grommet Ø4-6 mm 6 x Cable gland with grommet 2 x Ø5,5 mm		099 864 550
Rear connection box	Low	15 poled Ermax bayonet socket with 500 mm cable	--	1 x 7 pin AMP socket for right tail light 1 x 7 pin AMP socket for left tail light 1 x 2 pin Super Seal socket for right position light 1 x 2 pin Super Seal socket for left position light 1 x 2 pin Super Seal socket for reverse light 1 x 2 pin Super Seal socket for rear fog light 1 x Cable gland with grommet 2 x Ø5,5 mm		099 864 110
	High	15 poled Ermax bayonet socket with 500 mm cable	--	1 x 7 pin AMP socket for right tail light 1 x 7 pin AMP socket for left tail light 1 x 2 pin Super Seal socket for right position light 1 x 2 pin Super Seal socket for left position light 1 x 2 pin Super Seal socket for reverse light 1 x 2 pin Super Seal socket for rear fog light 1 x 2 pin Super Seal socket for stop light 1 x 2 pin Super Seal socket for AUX 3 1 x Cable gland with grommet 2 x Ø5,5 mm 2 x Cable gland with grommet Ø4-6 mm 2 x Cable gland with grommet Ø7-10 mm		099 864 510
	Low	15 poled Ermax bayonet socket with 500 mm cable	2 x 1 7 pin AMP plug for tail light, right + left	2 x Cable gland with grommet 2 x Ø5,5 mm 2 x Cable gland with grommet 2 x Ø4-6 mm 1 x Cable gland with grommet 2 x Ø7-10 mm		099 864 113
	High	15 poled Ermax bayonet socket with 500 mm cable	--	1 x 2 pin Super Seal socket for right position light 1 x 2 pin Super Seal socket for left position light 3 x Cable gland with grommet Ø4-6 mm 8 x Cable gland with grommet 2 x Ø5,5 mm		099 864 501
	High	15 poled Ermax bayonet socket with 500 mm cable	2 x 3 7-poliger AMP plug for tail light, right + left	1 x 2 pin Super Seal socket for position light, right 1 x 2 pin Super Seal socket for position light, left 1 x 2 pin Super Seal socket for stop light 1 x 2 pin Super Seal socket for reverse light 1 x 2 pin Super Seal socket for rear fog light 1 x 2 pin Super Seal stikdåse med AUX 3 2 x Cable gland with grommet Ø7-11 mm 2 x Cable gland with grommet Ø4-6 mm 1 x Cable gland with grommet 2 x Ø5,5 mm		099 864 531
	High	15 poled Ermax bayonet socket with 500 mm cable	--	2 x 2 pin Super Seal socket with right/left SIMAC 7 x Cable gland with grommet 2 x Ø5,5 mm 2 x Cable gland with grommet Ø4-6 mm 2 x Cable gland with grommet Ø7-10 mm	SIMAC	099 869 501
	High	15 poled Ermax bayonet socket with 1.500 mm cable	--	2 x 2 pin Super Seal socket for left and right position light 2 x 2 pin Super Seal socket for left and right SIMAC 1 x 2 pin Super Seal socket for reverse light 1 x 2 pin Super Seal socket for fog light 1 x 2 pin Super Seal socket for stop light 2 x Cable gland with grommet Ø4-6 mm 4 x Cable gland with grommet 2 x Ø5,5 mm	SIMAC	099 869 506

Junction box - Universal



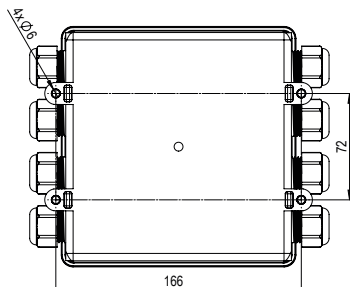
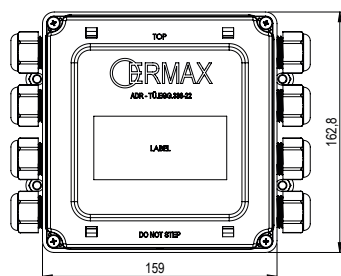
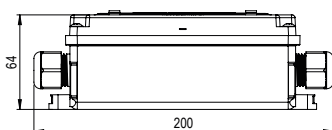
Application/ Description

Article No.

Junction box Housing of black polycarbonate IP Rating: IP69K

Low version - Connections:

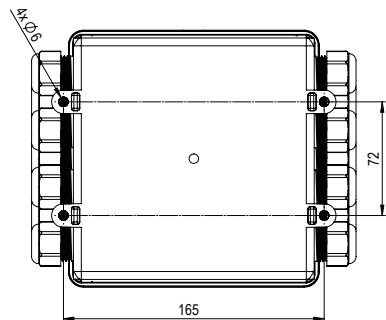
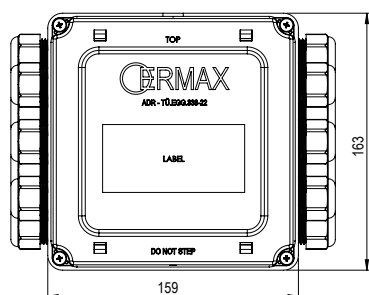
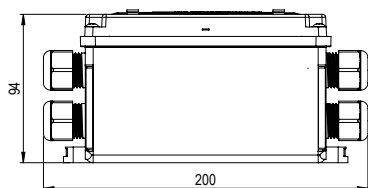
- Connection: 1 x Cable gland with grommet Ø11-13 mm
 1 x Cable gland with grommet Ø7-11 mm
 2 x Cable gland with grommet Ø4-6 mm
 4 x Cable gland with grommet 2 x Ø5,5 mm



099 864 100

High version - Connections:

- Connection: 1 x Cable gland with grommet Ø11-13 mm
 4 x Cable gland with grommet Ø7-11 mm
 8 x Cable gland with grommet Ø4-6 mm
 1 x Cable gland with grommet 2 x Ø5,5 mm



099 864 500

Junction box - Pass-through



Application/ Description

Article No.

Junction box with cable Housing of black polycarbonate IP Rating: IP69K

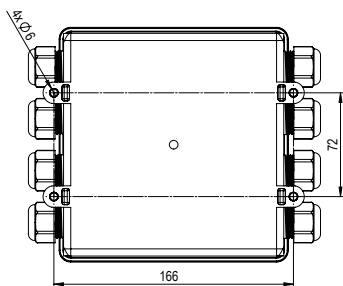
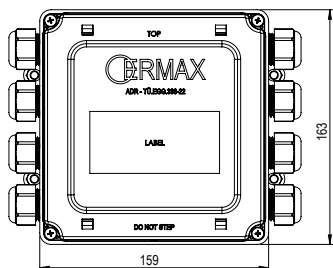
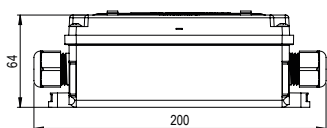
Low version - Connections:

Inlet: 15 pin Ermax socket, 500 mm cable

Outlet: 15 pin Ermax plug, 500 mm cable

Connection: 2 x Cable gland with grommet \varnothing 4-6 mm
4 x Cable gland with grommet 2 x \varnothing 5,5 mm

099 864 150



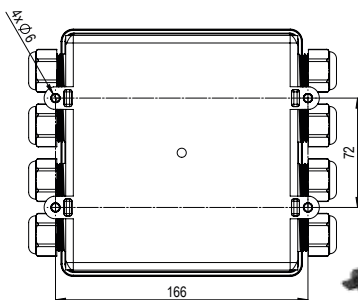
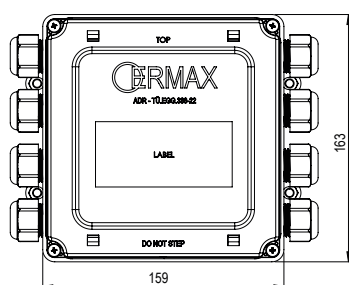
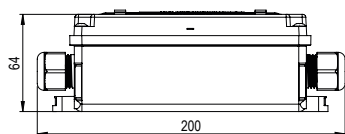
Low version - Connections:

Inlet: 15 pin Ermax socket, 500 mm cable

Outlet: 15 pin Ermax plug, 500 mm cable

Connection: 1 x 2 pin Super Seal socket for positions light, right
1 x 2 pin Super Seal socket for positions light, left
2 x Cable gland with grommet \varnothing 4-6 mm
2 x Cable gland with grommet 2 x \varnothing 5,5 mm

099 864 151



Junction box - Pass-through



Application/ Description

Article No.

Junction box with cable
 Housing of black polycarbonate
 IP Rating: IP69K

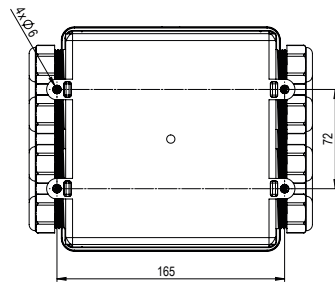
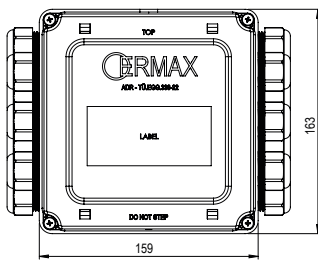
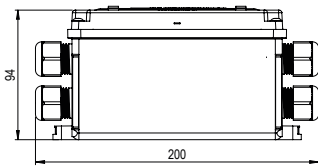
High version - Connections:

Inlet: 15 pin Ermax socket, 500 mm cable

Outlet: 15 pin Ermax plug, 500 mm cable

Connection: 6 x Cable gland with grommet \varnothing 4-6 mm
 6 x Cable gland with grommet 2 x \varnothing 5,5 mm

099 864 550



Junction box - Rear connection



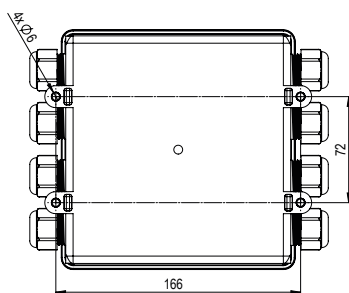
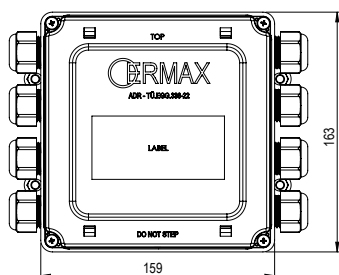
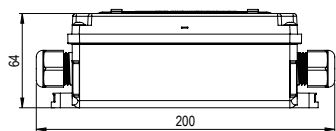
Application/ Description

Article No.

Junction box
 Housing of black polycarbonate
 IP Rating: IP69K

Low version - Connections:

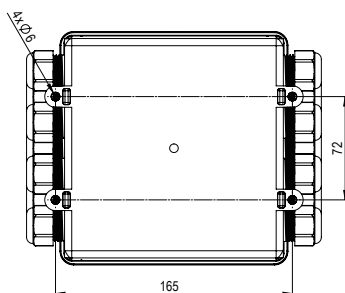
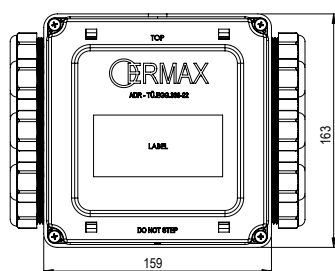
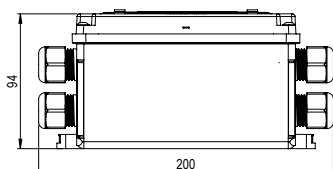
- Inlet: 15 pin Ermax socket, 500 mm cable
- Connection: 1 x 7 pin AMP socket for right tail light
 1 x 7 pin AMP socket for left tail light
 1 x 2 pin Super Seal socket for right position light
 1 x 2 pin Super Seal socket for left position light
 1 x 2 pin Super Seal socket for reverse light
 1 x 2 pin Super Seal socket for rear fog light
 1 x Cable gland with grommet 2 x Ø5,5 mm



099 864 110

High version - Connections:

- Inlet: 15 pin Ermax socket, 500 mm cable
- Connection: 1 x 7 pin AMP socket for right tail light
 1 x 7 pin AMP socket for left tail light
 1 x 2 pin Super Seal socket for right position light
 1 x 2 pin Super Seal socket for left position light
 1 x 2 pin Super Seal socket for reverse light
 1 x 2 pin Super Seal socket for rear fog light
 1 x 2 pin Super Seal socket for stop light
 1 x 2 pin Super Seal socket for AUX 3
 1 x Cable gland with grommet 2 x Ø5,5 mm
 2 x Cable gland with grommet Ø4-6 mm
 2 x Cable gland with grommet Ø7-10 mm



099 864 510

Junction box - Rear connection



Application/ Description

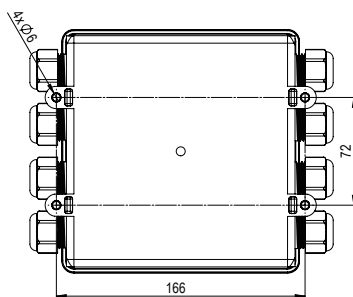
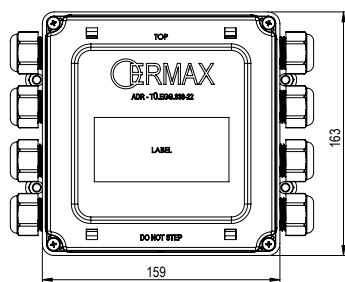
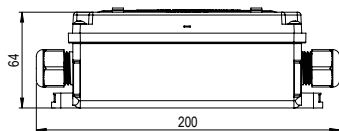
Article No.

Junction box with cable Housing of black polycarbonate IP Rating: IP69K

Low version - Connections:

- Inlet: 15 pin Ermax socket, 1500 mm cable
- Outlet: 1 x 7 pin AMP plug on 1300mm cable for right tail light
1 x 7 pin AMP plug on 1300mm cable for left tail light
- Connection: 2 x Cable gland with grommet 2 x Ø5,5 mm
2 x Cable gland with grommet 2 x Ø4-6 mm
1 x Cable gland with grommet 2 x Ø7-10 mm

099 864 113



Junction box - Rear connection



Application/ Description

Article No.

Junction box with cable
 Housing of black polycarbonate
 IP Rating: IP69K

High version - Connections:

Inlet: 15 pin Ermax socket, 500 mm cable

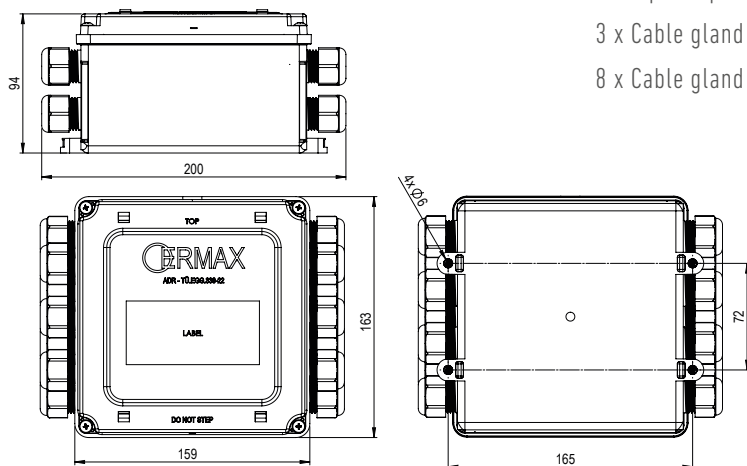
Connection: 1 x 2 pin Super Seal socket for right position light

1 x 2 pin Super Seal socket for left position light

3 x Cable gland with grommet \varnothing 4-6 mm

8 x Cable gland with grommet 2 x \varnothing 5,5 mm

099 864 501



Junction box - Rear connection



Application/ Description

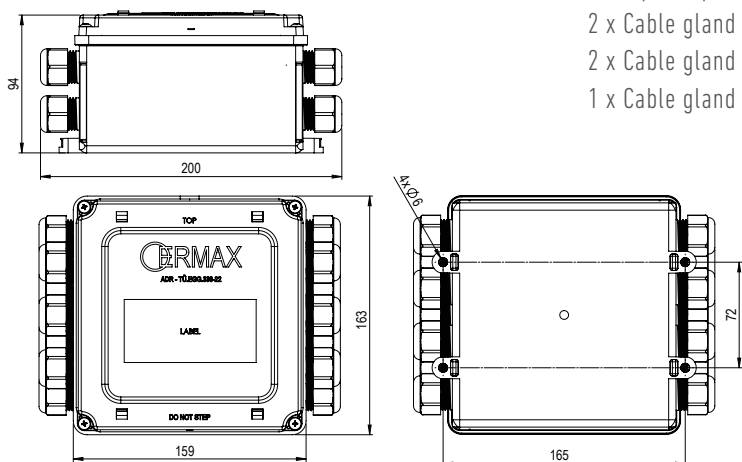
Article No.

Junction box with cable Housing of black polycarbonate IP Rating: IP69K

High version - Connections:

- Inlet: 15 pin Ermax socket, 1500 mm cable
- Outlet: 2 x 3 7-pin AMP plug, angled - 2100 mm cable for tail light
RH +LH
- Connection: 1 x 2 pin Super Seal socket for position light, right
1 x 2 pin Super Seal socket for position light, left
1 x 2 pin Super Seal socket for stop light
1 x 2 pin Super Seal socket for reverse light
1 x 2 pin Super Seal socket for rear fog light
1 x 2 pin Super Seal stikdåse med AUX 3
2 x Cable gland with grommet Ø7-11 mm
2 x Cable gland with grommet Ø4-6 mm
1 x Cable gland with grommet 2 x Ø5,5 mm

099 864 531



Junction box with SIMAC - Pass-through



Application/ Description

Article No.

Junction box with cable with SIMAC

Housing of black polycarbonate

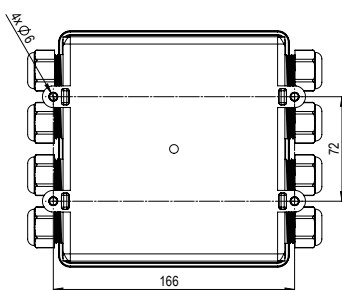
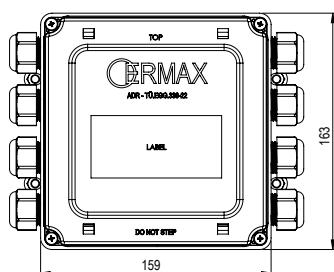
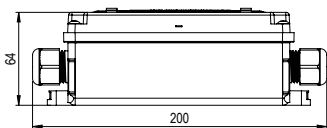
IP Rating: IP69K

Low version - Connections:

Inlet: 15 pin Ermax socket, 500 mm cable

Outlet: 15 poled Ermax plug, 500 mm cable

Connection: 2 x 2 pin Super Seal socket with right/left SIMAC
 2 x Cable gland with grommet Ø4-6 mm
 2 x Cable glad with grommet 2 x Ø5,5 mm



Low version - Connections:

Inlet: 15 pin Ermax socket, 500 mm cable

Outlet: 15 poled Ermax plug, 500 mm cable

Connection: 2 x 2 pin Super Seal socket with right/left SIMAC
 2 x 2 pin Super Seal socket with right/left position light
 2 x 2 pin Super Seal socket with reversing light
 2 x Cable glad with grommet 2 x Ø5,5 mm



099 869 151

099 869 153

Junction box with SIMAC - Rear connection



Application/ Description

Article No.

Junction box with cable with SIMAC

Housing of black polycarbonate

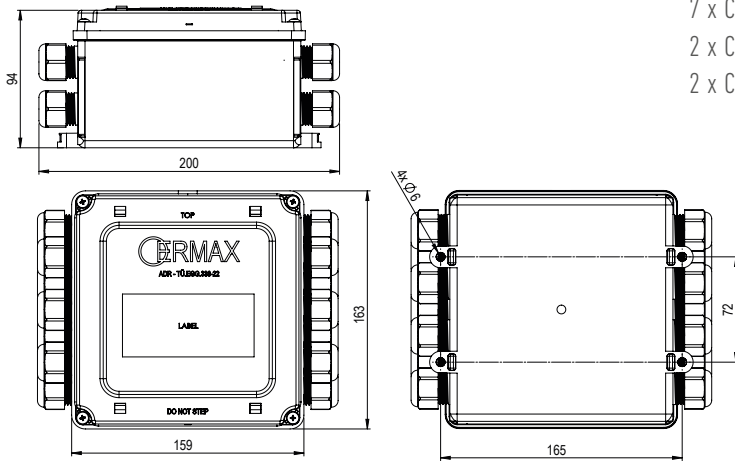
IP Rating: IP69K

High version - Connections:

Inlet: 15 pin Ermax socket, 500 mm cable

Connection: 2 x 2 pin Super Seal socket with right/left SIMAC,
 7 x Cable gland with grommet 2 x Ø5,5 mm
 2 x Cable gland with grommet Ø4-6 mm
 2 x Cable gland with grommet Ø7-10 mm

099 869 501



Junction box with SIMAC - Rear connection



Application/ Description

Article No.

Junction box with cable with SIMAC

Housing of black polycarbonate

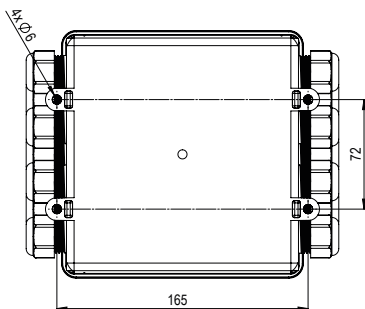
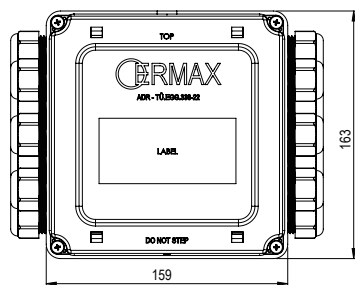
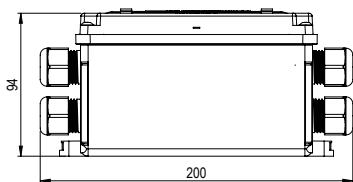
IP Rating: IP69K

High version - Connections:

Inlet: 15 pin Ermax socket, 1500 mm cable

- Connection: 2 x 2 pin Super Seal socket for left and right position light
- 2 x 2 pin Super Seal socket for left and right SIMAC
- 1 x 2 pin Super Seal socket for reverse light
- 1 x 2 pin Super Seal socket for fog light
- 1 x 2 pin Super Seal socket for stop light
- 2 x Cable gland with grommet Ø4-6 mm
- 4 x Cable gland with grommet 2 x Ø5,5 mm

099 869 506



Junction box - Universal



Application/ Description

Article No.

Universal box with clamp straps and plug cartridge

Housing of black polycarbonate

IP Rating: IP69K

High version - Connections:

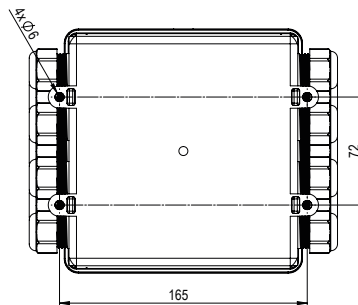
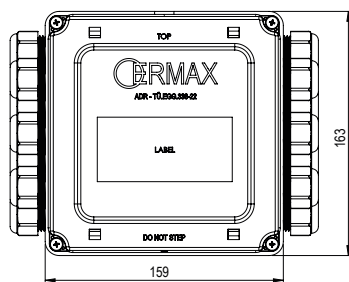
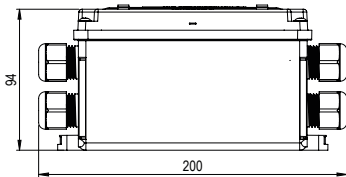
Additional inlets/outlets:

1 x Cable gland with grommet Ø11-13 mm

6 x Cable gland with grommet Ø4-6 mm

7 x Cable gland with grommet 2 x Ø5,5 mm

099 864 651



Pass-through box with clamp straps and plug cartridge

Housing of black polycarbonate

IP Rating: IP69K

High version - Connections:

Inlet: 500 mm 15 poled cable with Ermax socket

Outlet: 500 mm 15 poled cable with Ermax plug

099 864 655

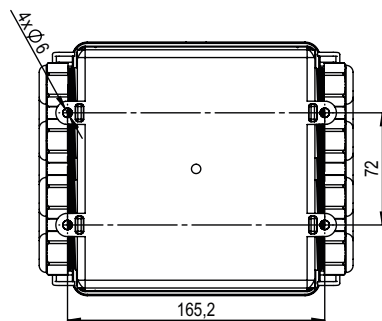
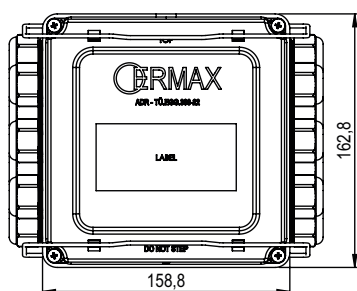
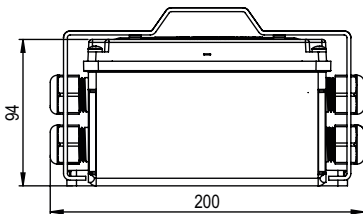
Zusätzliche Ein-/Ausgänge:

1 x cable gland with grommet Ø11-13 mm

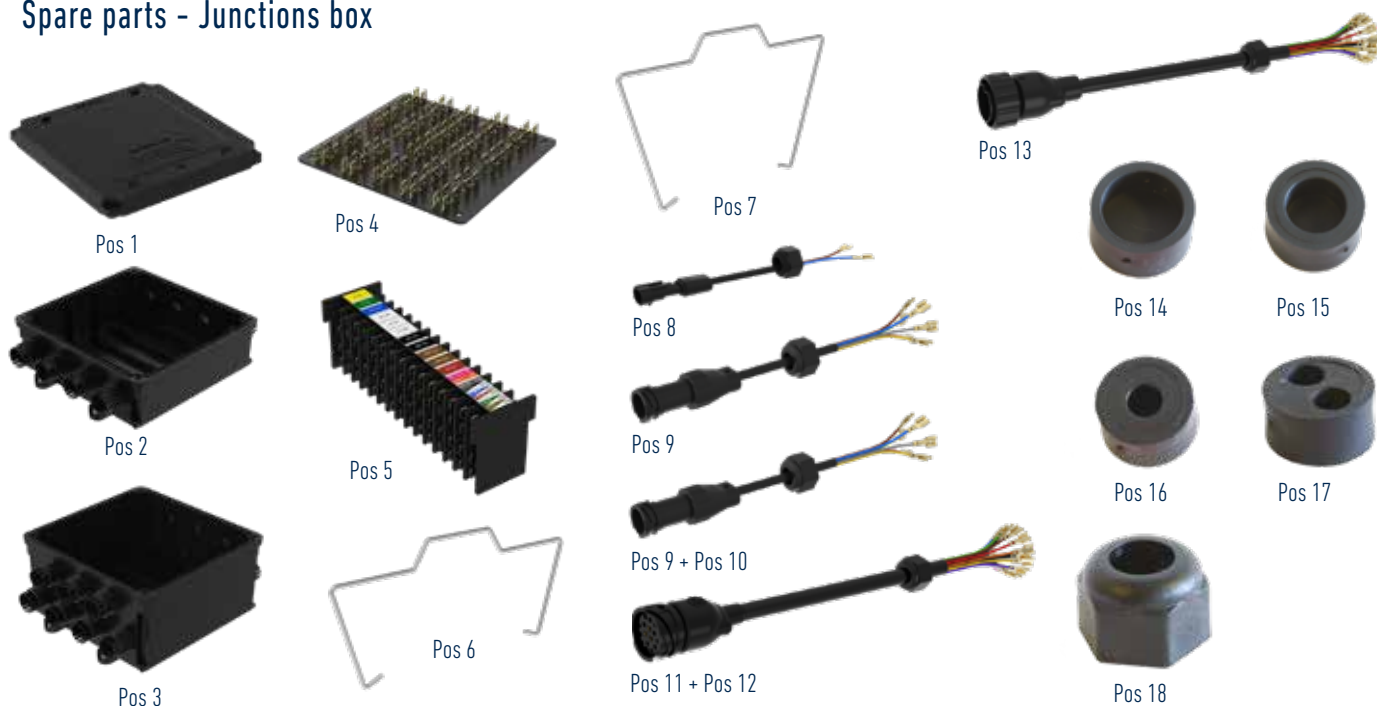
1 x cable gland with grommet Ø7-11 mm

1 x cable gland with grommet Ø4-6 mm

1 x cable gland with grommet 2 x Ø5,5 mm



Spare parts - Junctions box



Spareparts / Accessories Ermax Junction box

Cover for junction box. Incl. Screws. Suitable for both the low and high version of the junction box. Measurements (H x W x L): 18 x 153 x 157 mm	1	099 110 800
Junction box, low version - without cover and cable glands. 8 cable inlets (without nuts and rubber grommets). Measurements (H x W x L): 50 x 158 x 162 mm	2	099 110 801
Junction box, high version - without cover and cable glands. 14 cable inlets (without nuts and rubber grommets) 5 mounting grooves for self-tapping screws in the bottom.	3	099 110 802
Terminal board for junction box with 104 terminals. Suitable for both low and high version of the junction box. Incl. screws for installation.	4	099 110 803
Terminal cartridge for junction box, removable with 120 terminals.	5	099 110 804
Locking brace for junction box, low version. The locking brace is used to keep the cover in place on the junction box. 2 pcs per box is needed. Material: Stainless steel.	6	099 110 805
Locking brace for junction box, high version. The locking brace is used to keep the cover in place on the junction box. 2 pcs per box is needed. Material: Stainless steel.	7	099 110 806
Connection cable 300mm with Super Seal socket for junction box. Mounted with grommet 2 x Ø5,5 mm and nut for junction box. 200 mm stripped wire with blade receptacles.	8	099 110 820
Connection cable 300 mm with 7 pole AMP socket for junction box (6 x 1 mm ²). Mounted with grommet 2 x Ø4-6 mm and nut for junction box. 200 mm stripped wire with blade receptacles.	9	099 110 870
Connection cable 300 mm with 7 pole AMP socket for junction box (6 x 1 mm ² + 1 x 2,5 mm ²). Mounted with grommet 2 x Ø4-6 mm and nut for junction box. 200 mm stripped wire with blade receptacles.	10	099 110 875
Connection cable 700 mm with 15 pole Ermax socket for junction box. Mounted with grommet 2 x Ø11-13 mm and nut for junction box. 200 mm stripped wire with blade receptacles.	11	099 110 880
Connection cable 1700 mm with 15 pole Ermax socket for junction box. Mounted with grommet 2 x Ø11-13 mm and nut for junction box. 200 mm stripped wire with blade receptacles.	12	099 110 881
Connection cable 700 mm with 15 pole Ermax plug for junction box. Mounted with grommet 2 x Ø11-13 mm and nut for junction box. 200 mm stripped wire with blade receptacles.	13	099 110 885
Rubber sealing for cable gland housing in junction box Ø16/Ø13-11 mm	14	099 110 207
Rubber sealing for cable gland housing in junction box, Ø16/Ø10-7 mm	15	099 110 208
Rubber sealing for cable gland housing in junction box, Ø16/Ø6-4 mm	16	099 110 219
Rubber sealing for cable gland housing in junction box, Ø16/2 xØ5,5 mm	17	099 110 210
Nut for cable gland housing	18	099 110 206

Spare parts Junction box (Old version - Generation 1)



Pos. 1



Pos. 2



Pos. 3



Pos. 4



Pos. 5



Pos. 6



Pos. 7



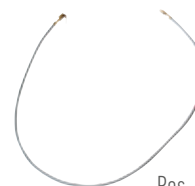
Pos. 8



Pos. 9



Pos. 10

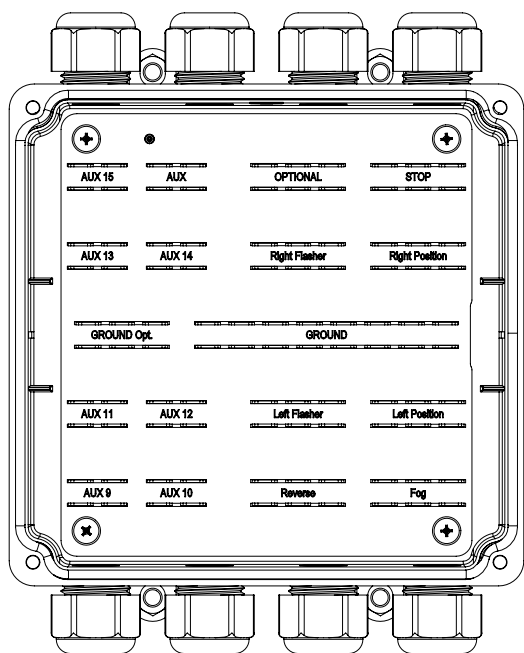


Pos. 11

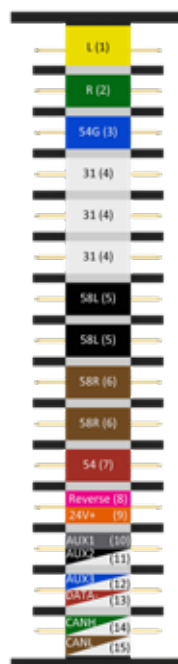
Seal for inlet-/outlet in junction box, Ø34 x ø23 x 3 mm	1	099 110 203
Bayonet-ring for inlet / outlet	2	099 110 204
Cable gland M22/2,0	3	099 110 205
Nut for cable gland	4	099 110 206
Rubber blind for cable gland Ø13-11 mm	5	099 110 207
Rubber blind for cable gland, Ø11-7 mm	6	099 110 208
Rubber blind, for inlet / outlet - for cable Ø6-4 mm	7	099 110 219
Rubber blind for cable gland, Ø5,5 mm x 2	8	099 110 210
Super Seal socket with black and white (-) cable	9	099 110 211
7 poled AMP 1.5 socket	10	099 110 212
Heating cable (resistor) 24V with cable shoe - 5W. Length: 545 mm	11	093 865 125

Pin assignment

Connection ISO 12098 pin numbers / Number of spade terminals 6.3 x 0.6 mm



Terminal plate



Terminal block



	Position	Description	Pieces available on terminal plates	Pieces available on terminal block
ISO 12098	1	Left indicator	6 pcs.	8 pcs.
	2	Right indicator	6 pcs.	8 pcs.
	3	Rear fog light	6 pcs.	8 pcs.
	4	Mass (-)	16 pcs.	21 pcs.
	5	Left position	6 pcs.	14 pcs.
	6	Right position	6 pcs.	14 pcs.
	7	Brake light	6 pcs.	8 pcs.
	8	Reversing light	6 pcs.	4 pcs.
	9	Power supply, continuous positive	4 pcs.	4 pcs.
	10	AUX 1, wear display	4 pcs.	4 pcs.
	11	AUX 2, brake control for trailer	4 pcs.	4 pcs.
	12	AUX 3, lifting axle	4 pcs.	4 pcs.
	13	Mass for PINs 9-15 (ISO12098)	4 pcs.	4 pcs.
	14	CANH - data communication	4 pcs.	4 pcs.
	15	CANL - data communication	4 pcs.	4 pcs.
Additional groups		Mass (-) optional AUX Optional	6 pcs. 4 pcs. 6 pcs.	-- -- --

Wide load marker signs



WIDE LOAD MARKER SIGN - Complete Kit-Set

Standardised Security

Ermac have 2 Series of wide load marker sign kits making it possible to deliver standardised solutions covering almost every need. One Proff series and one ADR series.

The wide load marker signs – built of standard parts from the Ermac programme – are easy to mount and connect, and secure a simple operation and operational reliability in the daily work.

Both series are built up with a electro galvanized holder and a square pipe for fastening at the vehicle. The wide load marker sign has 3 flexible outer end marker lights mounted with red, white and orange light. The lights are made of rubber and the LED light module is made of impact resistant polycarbonate which resists a tough environment and handling in the daily work.

The Proff series has a pipe piece (ISO 72591) for mounting and connecting of the warning light. The connection to the wide load marker signs are made by means of a 7-poled ISO 1724 socket. Thus, a standard coil cable ISO 1724 (e.g. Ermac article number 090 180 165) can be used for connection at the vehicle. It is a commercially available cable and not a special cable, which means that defective or approaching cables can be replaced quickly = shorter service life in case of defects.

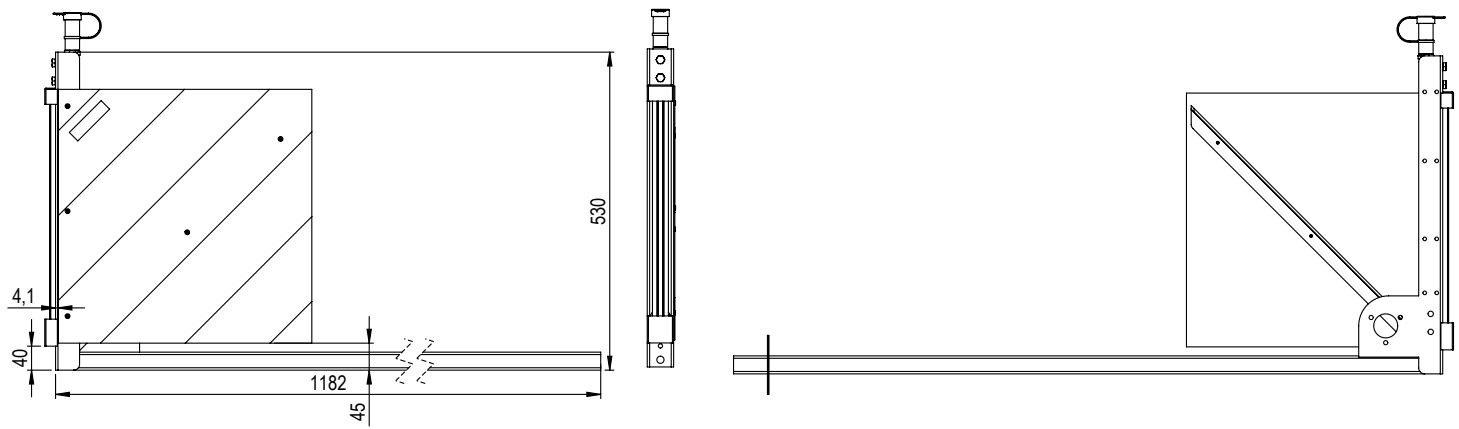
The ADR series is connected by means of a Super Seal plug, and the series is thus ADR approved in its basis configuration. Only the mounting of the warning light – due to the open plugs in the appurtenant connecting pipe – cannot be ADR approved.

For this series a coil cable (e.g. article number 994 030 300) can be used, which is connected to a corresponding Super Seal connection at the vehicle, which opens the possibility for mounting of further lights.

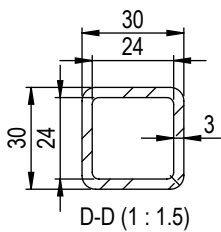


Wide load sign with LED-strips

- With beacon pole and with ISO1724 plug on 1500mm coil cable

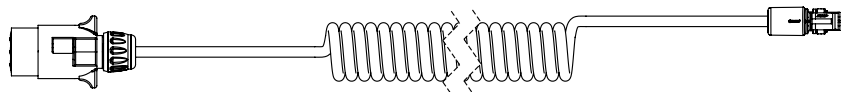


Outer diameter of the holder



Connection cable 994 015 335 - will be included

1500 mm coil cable with 7poledr ISO 1724 plug

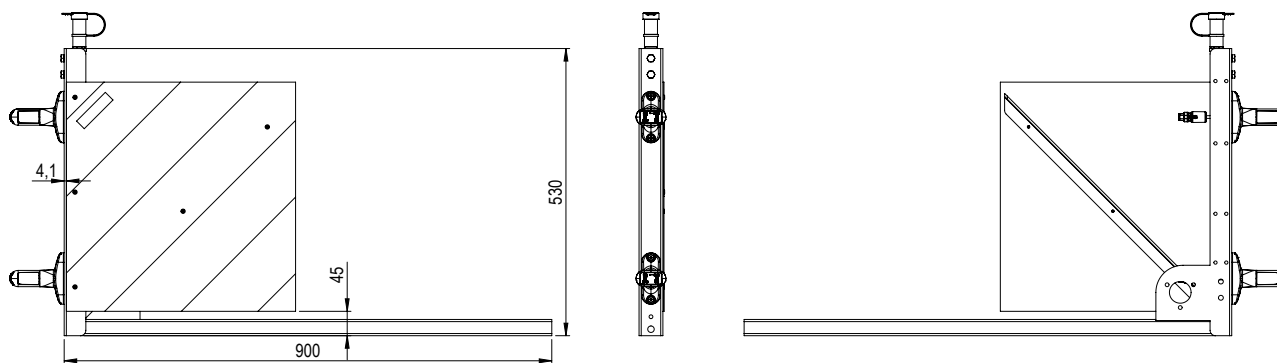


Wide load sign mounted with

- Wide load marker 423 x 423 mm
- Mounting for rotating beacons
- Plug connection via ISO 1724 plug

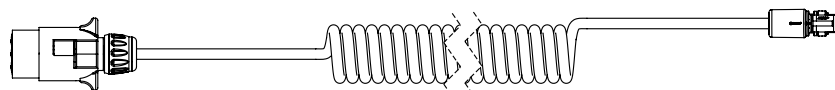
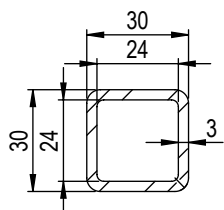
Placement	Dimension (L x B)	Material	Connection	Article No.
Rear - left	1.100 x 530 mm	Hot-dip galvanized	With 1500 mm coil cable and 7 poled ISO1724 plug	098 269 600
Rear - right	1.100 x 530 mm	Hot-dip galvanized	With 1500 mm coil cable and 7 poled ISO1724 plug	098 269 605
Front - left	1.100 x 530 mm	Hot-dip galvanized	With 1500 mm coil cable and 7 poled ISO1724 plug	098 269 610
Front- right	1.100 x 530 mm	Hot-dip galvanized	With 1500 mm coil cable and 7 poled ISO1724 plug	098 269 615

Wide load sign with beacon pole - and with ISO1724 plug on 1500mm coil cable



Outer diameter of the holder

Connection cable 994 015 335 - will be included
1500 mm coil cable with 7poledr ISO 1724 plug

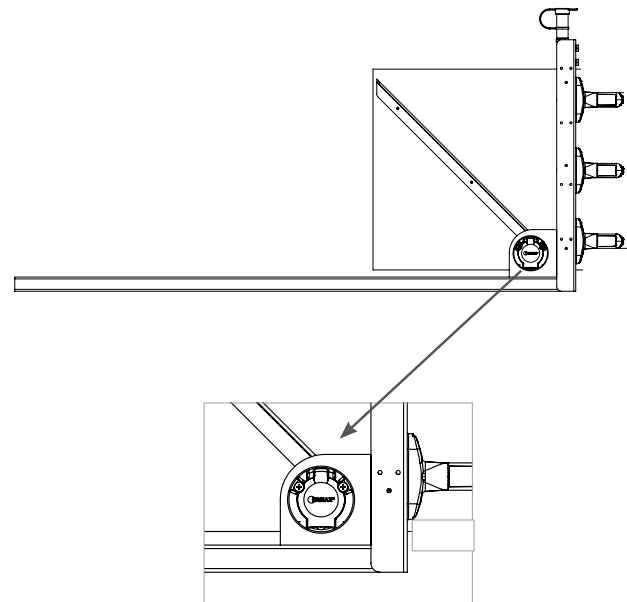
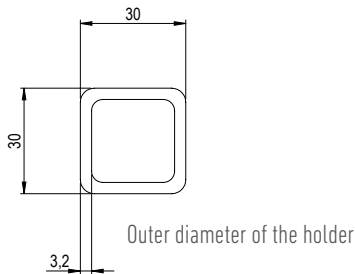
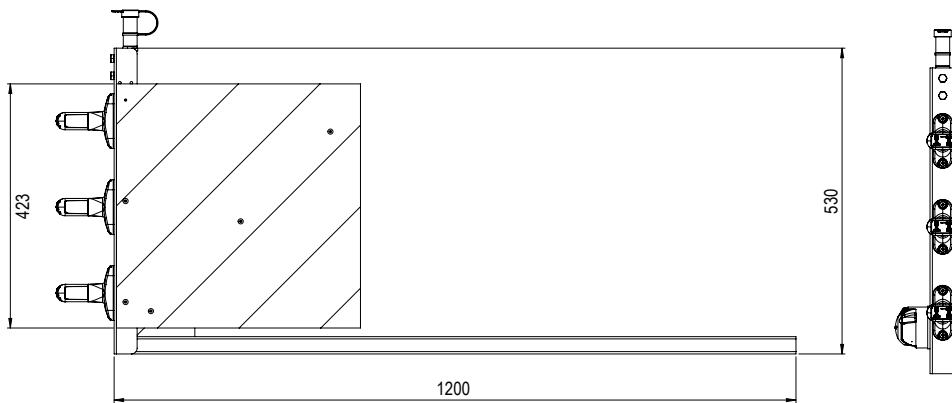


Wide load sign mounted with:

- Wide load marker 423 x 423 mm
- 2 x outer end marker
- Mounting for rotating beacons
- Connection via ISO 1724 plug

Placement	Dimension (L x B)	Material	Connection	Article No.
Standing: Rear – left	900 x 530 mm	Hot-dip galvanized	With 1500 mm coil cable and 7 poled ISO1724 plug	098 269 804
Standing: Rear – right	900 x 530 mm	Hot-dip galvanized	With 1500 mm coil cable and 7 poled ISO1724 plug	098 269 809
Standing: Front – left	900 x 530 mm	Hot-dip galvanized	With 1500 mm coil cable and 7 poled ISO1724 plug	098 269 813
Standing: Front – right	900 x 530 mm	Hot-dip galvanized	With 1500 mm coil cable and 7 poled ISO1724 plug	098 269 818
Hanging: Rear – left	900 x 530 mm	Hot-dip galvanized	With 1500 mm coil cable and 7 poled ISO1724 plug	098 269 814
Hanging: Rear – right	900 x 530 mm	Hot-dip galvanized	With 1500 mm coil cable and 7 poled ISO1724 plug	098 269 809

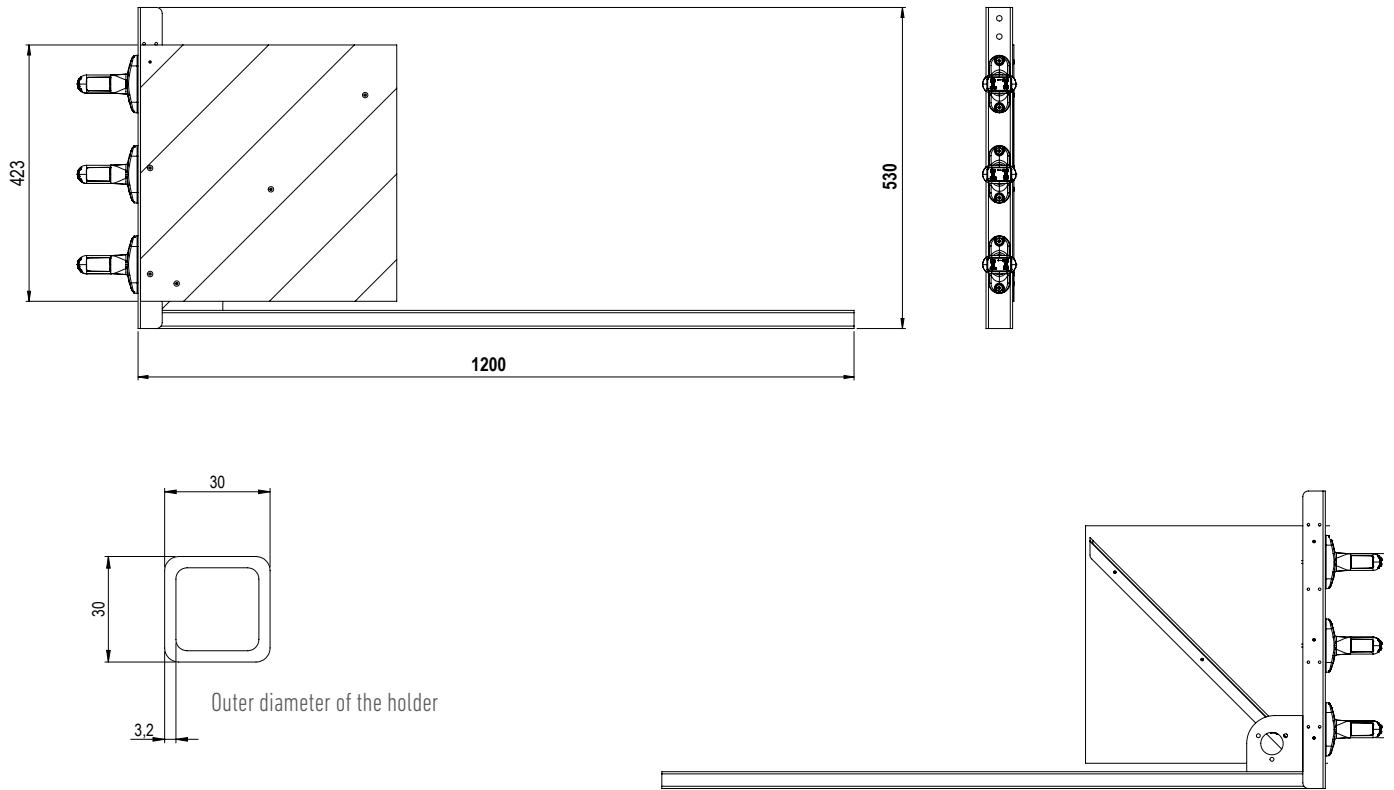
Wide load marker signs - Proff Series
 - with 7 poled ISO 1724 connection or 3 poled connection



- Wide load marker sign mounted with
- Warning sign board 423 x 423 mm
 - 3 pcs outer end marker lights
 - Mounting bracket for warning beacons
 - Plug connection through ISO1724 socket

Placement	Dimension (L x B)	Material	Connection	Article No.	Connection	Article No.
Rear - left	1.200 x 530 mm	Hot-galvanized	7 poled socket ISO 1724	098 269 800	3 poled socket	098 269 801
Rear - right	1.200 x 530 mm	Hot-galvanized	7 poled socket ISO 1724	098 269 805	3 poled socket	098 269 806
Front - left	1.200 x 530 mm	Hot-galvanized	7 poled socket ISO 1724	098 269 810	3 poled socket	098 269 811
Front - right	1.200 x 530 mm	Hot-galvanized	7 poled socket ISO 1724	098 269 815	3 poled socket	098 269 816
Complete set consisting of the above 4 Wide load marker signs				098 269 820		098 269 821

Wide load marker signs - Without Mounting bracket for warning beacons



Wide load marker sign mounted with

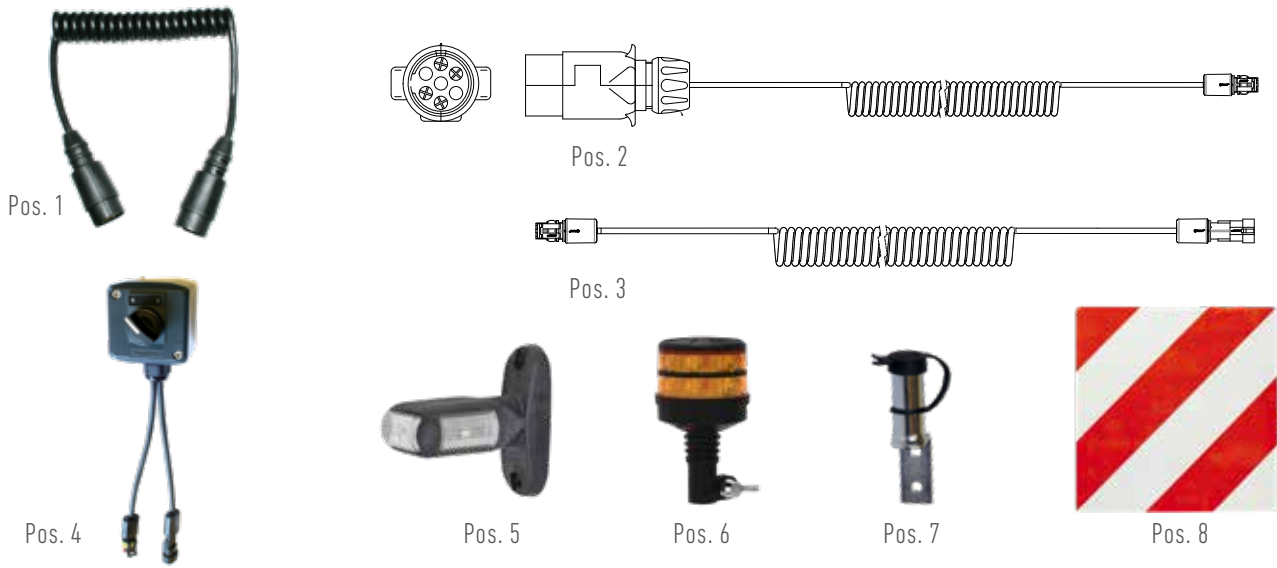
- Warning sign board 423 x 423 mm
- 3 pcs outer end marker lights
- Connection with Super Seal socket



Placement	Dimension (L x B)	Material	Connection	Article No.
Rear - left	1.200 x 530 mm	Hot-galvanized	Super Seal socket	098 269 830
Rear - right	1.200 x 530 mm	Hot-galvanized	Super Seal socket	098 269 835
Front - left	1.200 x 530 mm	Hot-galvanized	Super Seal socket	098 269 840
Front - right	1.200 x 530 mm	Hot-galvanized	Super Seal socket	098 269 845

Complete kit of 4 Wide load marker signs consisting of 098 269 830 + 835 + 840 + 845	098 269 850
---	--------------------

Wide load marker signs - Spare parts (S) & Accessories (A)



Proff Series	S / A	Pos.	
Coil cable 2x7 poled 1.500 mm - with ISO 1724 plug > ISO 1724 plug	A	1	090 180 165
Coil cable 3 poled 1.500 mm - with ISO 1724 plug > Super Seal plug	A	2	994 015 335
Coil cable 3 poled 3.000 mm - with ISO 1724 plug > Super Seal plug	A	2	994 030 335
On/off switch with 2x200 mm connection cable with Super Seal socket > plug	A	4	992 942 150
LED outer end marker - with 300 mm connection cable with Super Seal plug	S	5	098 241 218
Warning light LED 12-24V with for mounting bushes (see section with warning lights)	S	6	098 287 285
Mounting bracket, angled (no ADR approval)	S	7	098 295 562
Warning sign board - DIN 30710 one-sided aluminum, dimension: 423 x 423 (Right)	S	8	098 269 124
Warning sign board - DIN 30710 one-sided aluminum, dimension: 423 x 423 (Left)	S	8	098 269 126

Spare parts for ISO 1724 plug - see the section with plugs & sockets

ADR Series	S / A	Pos.	
Coil cable 3.000 mm - with Super Seal plug > Super Seal socket	A	3	994 030 300
On / off switch with 2x200 mm connection cable with Super Seal socket > plug	A	4	992 942 150
LED outer end marker - with 300 mm connection cable with Super Seal plug	S	5	098 241 218
Warning light LED 12-24V with for mounting bushes (see section with warning lights)	A	6	098 287 285
Mounting bracket, angled (no ADR approval)	A	7	098 295 562
Warning sign board - DIN 30710 one-sided aluminum, dimension: 423 x 423 (Right)	S	8	098 269 124
Warning sign board - DIN 30710 one-sided aluminum, dimension: 423 x 423 (Left)	S	8	098 269 126

Wide load marker signs - Accessories

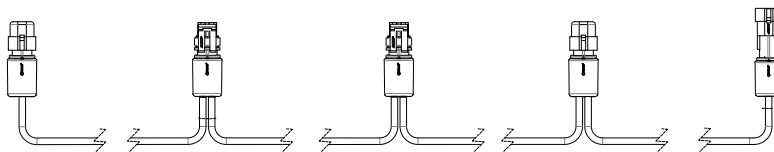
Application/ Description

Article No.

Side cable, chain

1 x inlet with Super Seal socket and 4 x outlet with Super Seal plug
 Conductor cross-section: 2x1 mm²
 Cable type: FLRYY / PVC.

800 mm
 distance between plugs: 200 mm

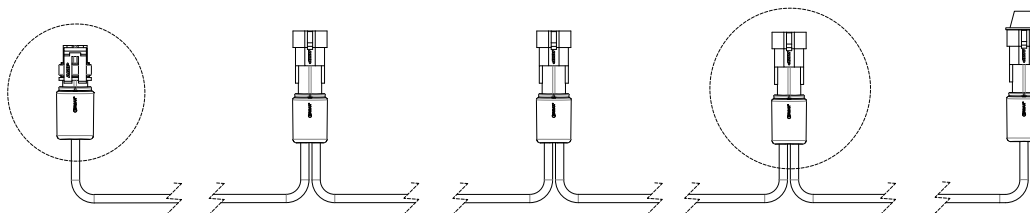


694 008 401

Side cable, chain

1 x inlet Super Seal plug + 4 x outlet with Super Seal socket
 Cable for the ADR wide load signs
 Conductor cross-section: 2x0,5 mm²
 Cable type: FLRYY

1.150 mm
 Distance between plugs: 300 mm - 300 mm - 300 mm - 250 mm (With blind)



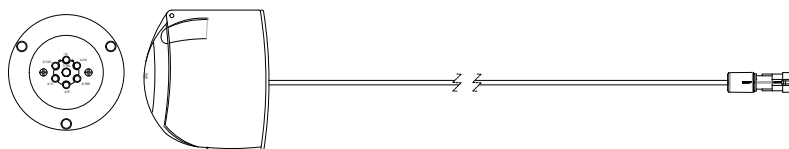
694 011 402

Connection cable

Socket 7 core ISO 1724 > Super Seal socket, 2 core
 Conductor cross-section: 2x1mm²
 Cable type: FLRYY / PVC

1.500 mm
 2 core
 Outlets on 7 core plug:
 Ground (pin L/1), R. Pos.(pin 58R/5), L. Pos. (pin 58L/7)

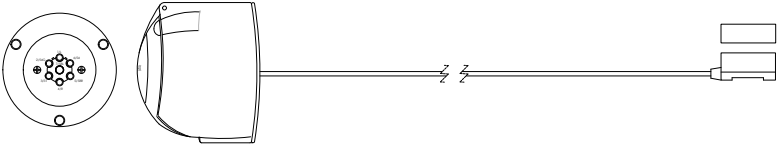

1.500 mm
 2 core
 Outlets on 7 core socket:
 Ground (pin 31/3), RH. Pos. (pin 58R/5), LH. Pos (pin 58L/7).



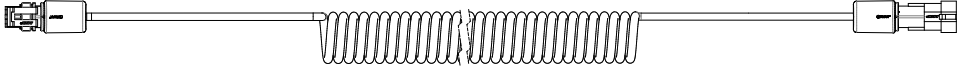
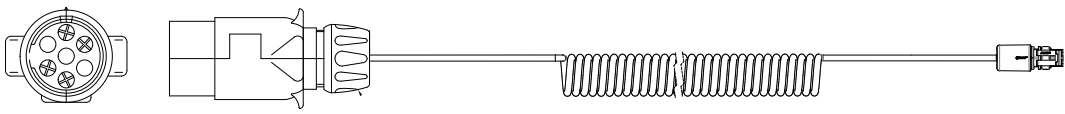
994 015 240

994 015 245

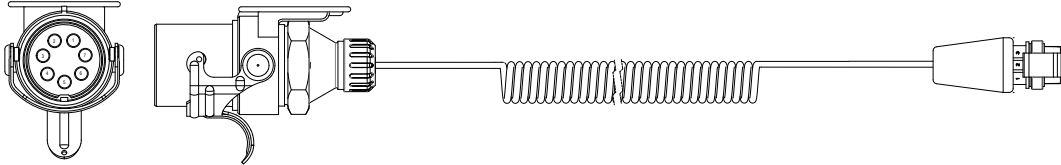
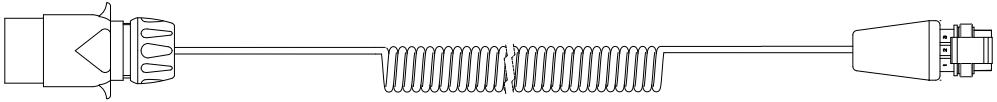

Wide load marker signs - Accessories

Application/ Description	Article No.
<p>Connection cable Socket 7 core ISO 1724 > Click-In adapter, 2 core Conductor cross-section: 2x1mm² Cable type: FLRY Y / PVC Outlets on 7 core plug: Ground (pin L/1), R. Pos.(pin 58R/5), L. Pos. (pin 58L/7)</p> <p>1.500 mm 2 core</p>	<p>994 015 270</p>
<p>Connection cable Socket 7 core ISO 1724 > Click-In adapter, 2 core Conductor cross-section: 2x1mm² Cable type: FLRY Y / PVC Outlets on 7 core plug: Ground (Pin 31/3), R. Pos (Pin 58R/5), L. Pos. (Pin 58L/7)</p> <p>1.500 mm 2 core</p>	
	
<p>Connection cable 3 poled socket > Open end with female flat connectors Conductor cross section: 3 x 1 mm² Cable type: FLRY Y/PVC Configuration 3-poled socket: Brown: Pin 31 Yellow/green: Pin 54 Blue: Pin 58</p> <p>5.000 mm 3 core</p>	<p>994 050 300</p>
	

Wide load marker signs - Accessories

Application/ Description	Article No.
<p>Coil cable Super Seal plug, 2 core > Super Seal socket, 2 core Conductor cross-section: 3x1mm² Pin 2(+) connected to 2 coil cables Number of coils: 64</p> <p>1.500 mm Number of coils: 32.</p> <p>3.000 mm Number of coils: 64.</p>	<p>994 015 300</p> <p>994 030 300</p>
	
<p>Coil cable 3 core Plug 7 core ISO 1724 > Super Seal plug, 2 core Conductor cross-section: 3x1mm² Number of coils: 64</p> <p>3.000 mm Outlets on 7 core plug: Ground (pin L/1), R. pos. (pin 58R/5), L. pos. (pin 58L/7)</p> <p>1.500 mm Outlets on 7 core plug: Ground (pin 31/3), R. Pos. (pin 58R/5), L. Pos. (pin 58L/7)</p> <p>3.000 mm Outlets on 7 core plug: Ground (pin 31/3), R. Pos. (pin 58R/5), L. Pos. (pin 58L/7).</p>	<p>994 030 330</p> <p>994 015 335</p> <p>994 030 335</p>
	

Wide load marker signs - Accessories

	Anwendung / Beschreibung	Artikel-Nr.
	<p>Coil cable, 3 core 7 poled ISO 7638 plug > 7 poled Super Seal plug Conductor cross section: 3 x 1 mm²</p> <p>1.500 mm Number of coils: 32</p> <p>Connection: Pin 1 (Ground) > Pin 2 Pin 2 (Position light) > Pin 3 Pin 3 (AUX) > Pin 1</p>	<p>994 015 340</p>
	<p>Coil cable 3 core 3 poled plug > 3 poled Super Seal plug Conductor cross section: 3 x 1 mm²</p> <p>1.500 mm Number of coils: 32</p> <p>Connection: Terminal 31 > Pin 1 Terminal 54 > Pin 2 Terminal 58 > Pin 3</p>	<p>994 015 320</p>
	<p>Coil cable 3 core 3-poled plug > 2-poled super seal plug Conductor cross section: 3x1mm²</p> <p>1.500 mm Number of coils: 32</p> <p>Outputs on 3-poled plug: Ground: Pin 31 Position light: Pin 58</p> <p>Outputs on 2-poled super seal plug: Ground: Pin 1 Position light: Pin 2</p>	<p>994 015 333</p>

Wide load marker signs - Accessories

Application/ Description	Article No.
--------------------------	-------------

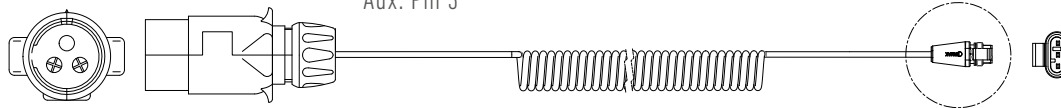
Coil cable 3 core

3-poled plug > 3-pole Super Seal plug
 Conductor cross section: 3x1 mm².
 Material: Polyurethan
 Number of coils: 64

3.000 mm

Configuration 3 poled plug:
 Minus: Pin 31 (brown)
 Position light: Pin 58 (blue)
 Aux: Pin 54 (yellow/green)

Configuration 3 poled Super Seal plug:
 Minus: Pin 1
 Position light: Pin 2
 Aux: Pin 3



994 030 334

Adapter

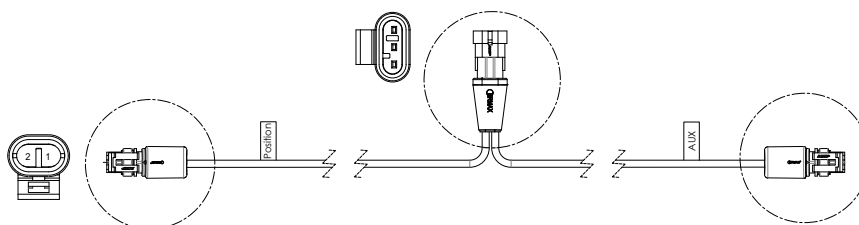
3-poled Super Seal socket > 2 x 2-polet Super Seal plug for position light and AUX
 Cable type: FLRY / PVC

500 mm

Configuration 3-polet Super Seal socket:
 Minus: Pin 1
 Position light: Pin 2
 AUX: Pin 3

Configuration 2 poled Super Seal plug for position light:
 Minus: Pin 1
 Position light: Pin 2

Configuration 2poled Super Seal plug for AUX:
 Minus: Pin 1
 AUX: Pin 2



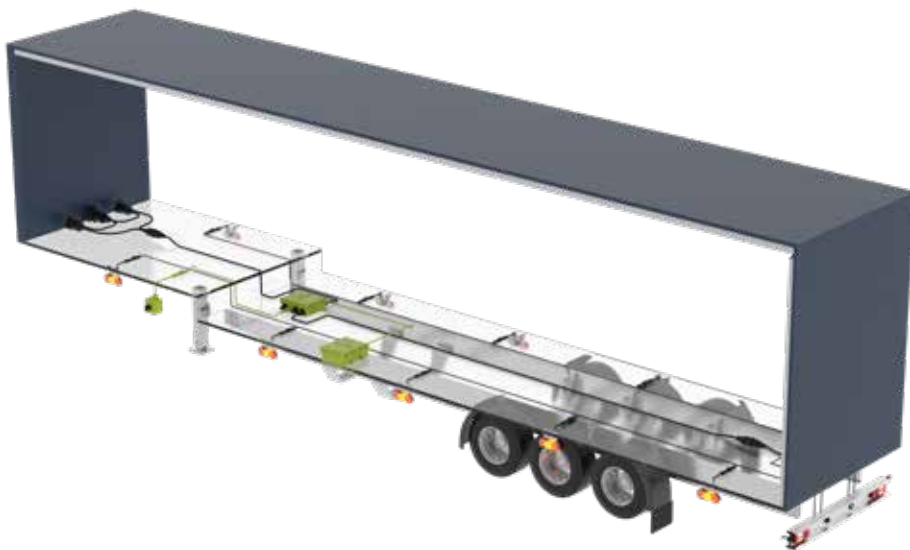
994 005 270

Wide load marker signs - Accessories

	Application/ Description	Article No.
	<p>Coil cable 2x7 poled ISO 1724 - 12V With ISO1724 plug > ISO1724 plug Conductor cross section: 6x1,0 + 1x1,5 mm²</p> <p>1.500 mm 7 core</p>	090 180 165
	<p>On / off switch 2 x 200 mm Anschlusskabel 2 x 200 mm connection cable With Super Seal socket > plug.</p>	992 942 150



PLS - Park Light System



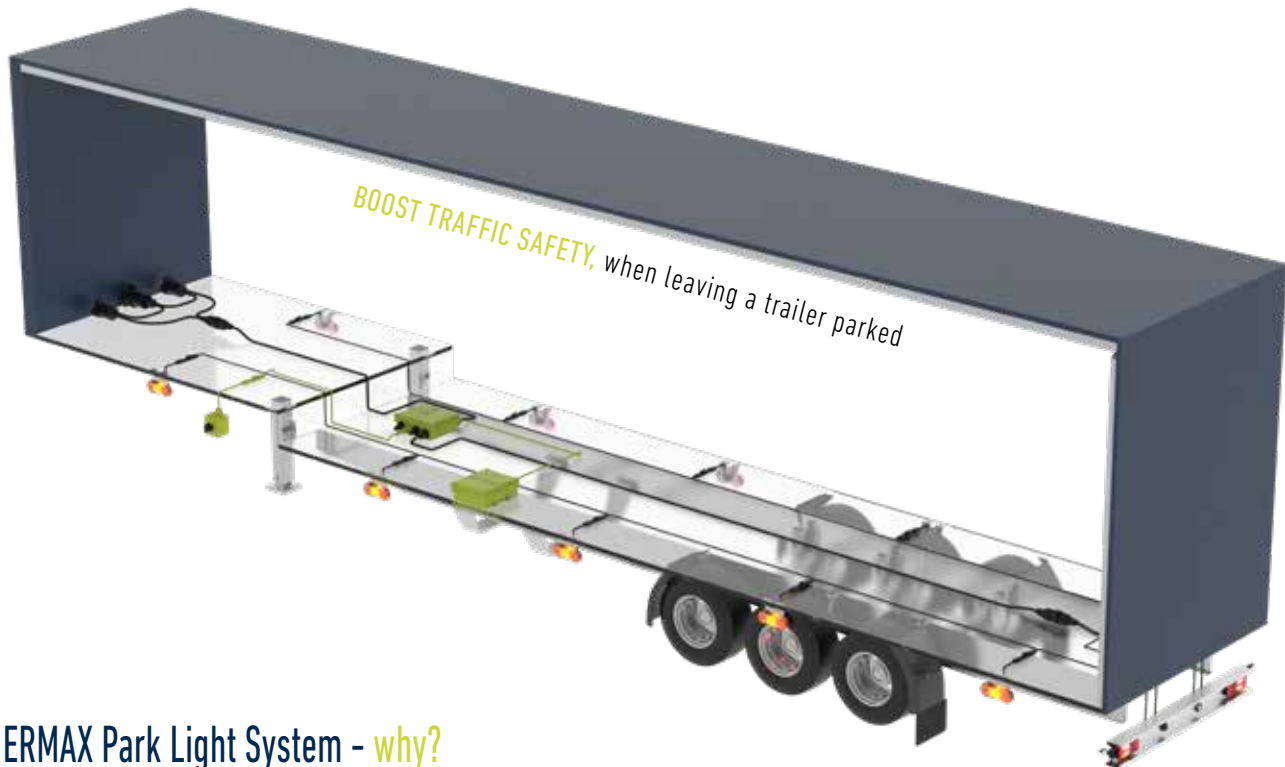
Park Light System

Switch on safety

This Park Light System makes a trailer legal, visible and safe

The Park Light System (PLS) is battery-powered and uses the existing lighting system for active illumination of a trailer without a towing vehicle, when a trailer is left on an unlit road or vehicle park.

Safe loading and unloading is therefore always possible, even without a towing vehicle, with greater safety for other road users after dark.



ERMAX Park Light System - why?

- 1 Increased traffic safety**
 Parked trailers are illuminated, increasing traffic safety for others and avoiding collision damage.
- 2 Quick, easy installation**
 Plug & play installation in connection with the ERMAX lighting systems - quick and easy.
- 3 Flexible location of junction box and switch**
 A junction box can be placed where it is most optimal on the vehicle. Switch can be placed where most accessible.
- 4 Retrofitting**
 Easy retrofitting on an ERMAX lighting system - plug & play.
- 5 Safe loading and unloading**
 By connecting the interior light and work light, safety and comfort when working on and around a trailer are increased.
- 6 Standard systems**
 2 standard systems according to requirement, and the option of activation other lights, e.g. work, warning, flash or interior lights with an extra switch.
- 7 Battery box**
 Compact, simple design with up to 48 hours of battery life, depending on which lights are connected. ADR approved.
- 8 Battery charging**
 Automatic charging when trailer is connected via pin 9 (ISO 12098).

Ready to park legally and safely

It doesn't get any easier!

Standard or customer-specific system - we've got the solution

The ERMAX Park Light System comes in two standard versions, with the option of either a work, warning, flash or interior light connected. If you have special needs, we'll find the solution.

PLS BASIC system

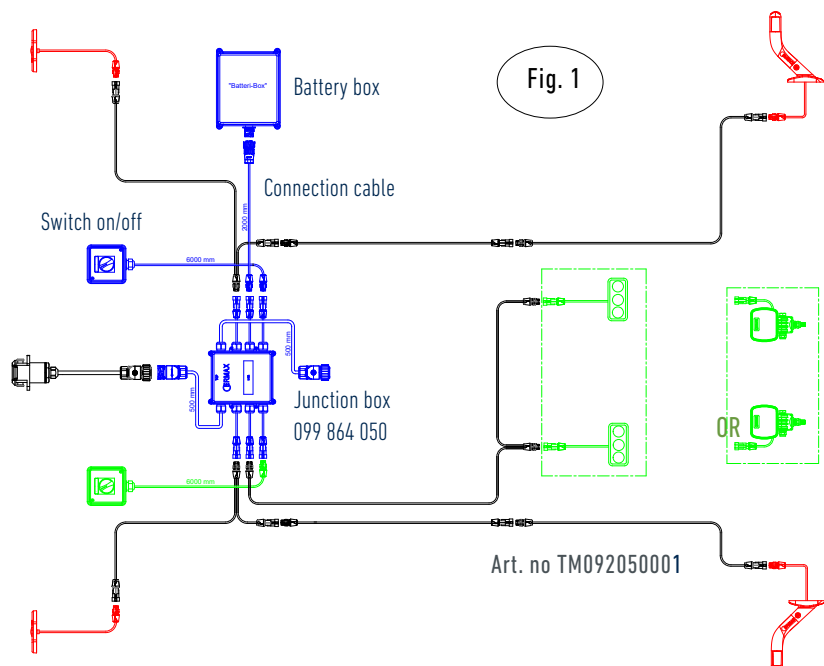
The junction box of the basic system is configured so that the front position light and the outer end marker light comprise the parking light (marked in red).

All you need for the PLS are the **blue parts**
article no. TM092050001 (ADR approved)

- Junction box 099 864 050
- Battery box
- On/off switch
- Connection cable

The **green parts** are optional products, connected via an extra switch:

- Work light
- Warning light
- Beacon
- Interior light



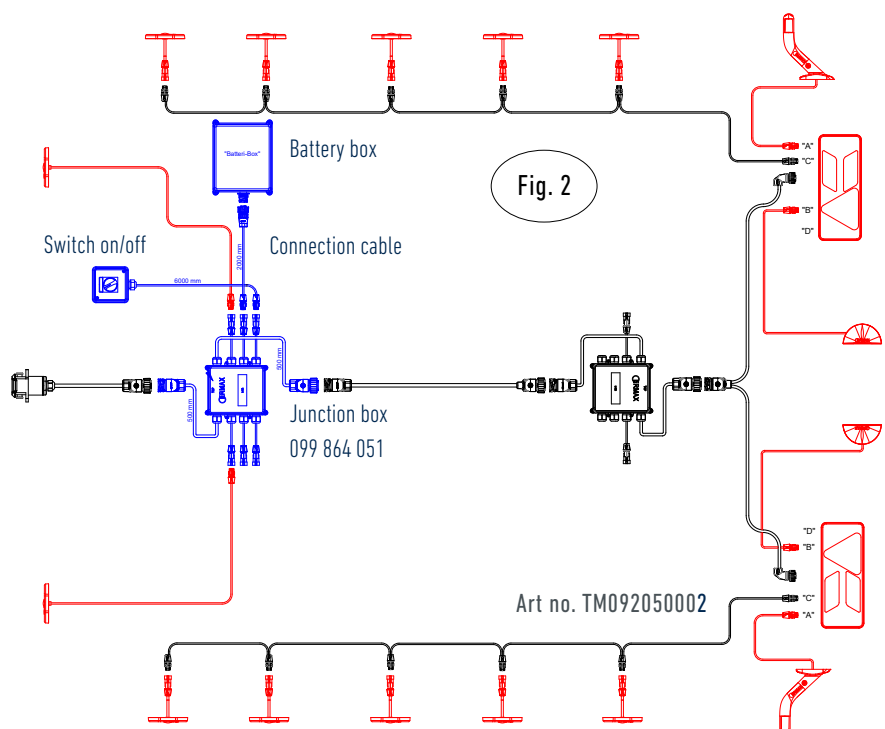
PLS PREMIUM system

The junction box of the premium system is configured so that all position lights comprise the parking light (marked in red).

All you need for the PLS are the **blue parts**
article no. TM092050002 (ADR approved)

- Junction box 099 864 051
- Battery box
- On/off switch
- Connection cable

It's also possible to connect the **green parts** listed and shown above to the Premium system.



ERMAX Park Light System

Comfort & Safety

Assembly instructions - Park Light System

A prerequisite for the PLS to function in a trailer is as follows:

- that there is a connection to the towing vehicle's battery via pin 9 (ISO12098) in the trailer socket
- that the front and main cable in the trailer lead pin 9 to the PLS box

This connection through a 2.5 mm² conductor ensures that the battery is quickly and safely charged.

Parking lights in the trailer's corner marker lights - Kit no. TM092 050 001

It is recommended to place the battery box (099 854 040) and the PLS box (099 864 050) at the front end of the trailer. This allows the control switch to be conveniently placed at the front of the trailer as well.

The outer end marker lights and the front white position lights are connected together using extension cables and Y-adapters (the red cables in fig. 1 on the previous page) and are connected to the PLS box's outputs for position lights - output 2 left position and output 6 right position. The battery box is connected with the included connection cable and connected to output no. 7. The switch is placed so that it can be conveniently operated when the trailer is connected and disconnected, and connected to output no. 8 of the box.

The PLS box is prepared for, for example, interior lights, warning lights, or work lights to be connected for battery operation.

If an additional connector is connected to output 4, output 3 will supply the desired function.

The polarity in the box's output is shown in fig. 3 below.

Parking lights with all lights on - Kit no. TM092 050 002

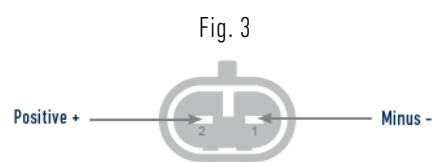
It is recommended to place the battery box (099 854 040) and the PLS box (099 864 051) at the front end of the trailer. This allows the control switch to be conveniently placed at the front of the trailer as well.

The front white position lights are connected to the outputs for position lights of the box - output 2 left position and output 6 right position. The remaining position lights are already connected through the main cable and will turn on simultaneously with the front white position lights (Fig. 3).

The battery box is connected with the included connection cable and connected to output no. 7. The switch is placed so that it can be conveniently operated when the trailer is connected and disconnected, and connected to output no. 8 of the box.

The PLS box is prepared for, for example, interior lights, warning lights, or work lights to be connected for battery operation.

If an additional connector is connected to output 4, output 3 will supply the desired function. Polarity is shown in Fig. 3.



Battery and data

Charging of the system's battery only occurs when the trailer is connected to a towing vehicle and the vehicle is started.

The maximum consumption of the total functions connected to the battery must not exceed 10 A. There is a 10A fuse in the battery box.

Battery and capacity:	AGM 7.2Ah
Max. Charging current:	9A
Max. Load:	10A
Estimated battery life*:	System as shown in figure 1, with LED lights = 30-40 hours
	System as shown in figure 3, with LED lights = 6-8 hours

*Dependent on the state of charge, age, and temperature of the batteries. The specified values are calculated under optimal conditions.

Plugs & Sockets



Loose plugs Super-Seal

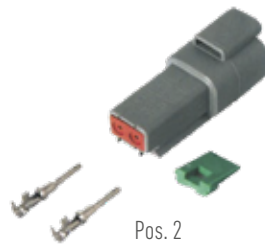
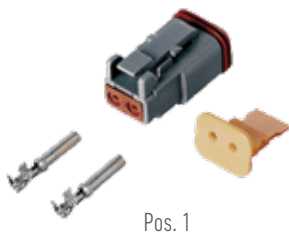


Plug type	Yellow Rubber grommet	Pol	Cable shoe	Red end Position-Rubber grommet	Pos.	Article No.
Super Seal plug	Ø 1,8 - 2,4 mm	2	Plug grommet 0,5 - 1,0 mm ²		1	099 110 019
Super Seal socket	Ø 1,8 - 2,4 mm	2	Plug 0,5 - 1,0 mm ²		2	099 110 018
Super Seal plug incl. blanking plug	Ø 1,8 - 2,4 mm	3	Plug grommet 0,5 - 1,0 mm ²	✓	3	099 111 102
Super Seal socket incl. blanking plug	Ø 1,8 - 2,4 mm	3	Plug grommet 0,5 - 1,0 mm ²	✓	4	099 111 103
Super Seal plug	Ø 1,8 - 2,4 mm	4	Plug grommet 0,5 - 1,0 mm ²	✓	5	099 111 032
Super Seal socket	Ø 1,8 - 2,4 mm	4	Plug grommet 0,5 - 1,0 mm ²	✓	6	099 111 026

Accessories

Rubber grommet for 2 poled Super Seal plug	7	099 110 712
Rubber grommet for 3 poled Super Seal plug	8	099 110 713
Rubber grommet for 4 poled Super Seal plug	9	099 110 714
T-coupling for 2 poled Super seal plug (3 sockets)	10	099 111 415
Blanking plugs for 2 poled Super Seal socket. Very suitable for TM11, TM17 and TM18	11	099 110 035
Blanking plugs for 2 poled Super Seal socket - black plastic	12	099 110 028
Blanking plugs for 2 poled Super Seal plug - black plastic	13	099 110 029
Blanking plugs for 3 poled Super Seal plug - black plastic	14	099 110 039
Blanking plugs for 3 poled Super Seal socket - black plastic	15	099 110 038

Plugs - Deutsch (DT)



Plug type	Pol	Cable shoe	Colour	Pos.	Article No.
2 poled Deutsch-plug wit male contacts	2	0,75 - 2,0 mm ²	Black and red	1	098 291 690
2-poled Deutsch-socket with blade terminals	2	0,75 - 2,0 mm ²	Black and red	2	099 111 043
4-pole Deutsch socket with female terminals	4	0,75 - 2,0 mm ²	White and red	3	099 111 059
4-pole Deutsch socket with male terminals	4	0,75 - 2,0 mm ²	Gray and red	4	099 111 054
6-pole Deutsch plug with female terminals	6	0,75 - 2,0 mm ²	Grey and red	5	099 111 069
6-pole Deutsch socket with male terminals	6	0,75 - 2,0 mm ²	Grey and red	6	099 111 064

Loose plugs AMP & blanking plugs



Plug type	Pol	Rund Plug grommet	Blue* Rubber grommet	White Rubber grommet	Clear Position-Rubber grommet	Pos.	Article No.
AMP 1.5 socket Straight	4	1,0-2,5mm ²	Ø1,2-2,1 mm (Yellow)			1	099 110 468
AMP 1.5 plug Angled	4	0,5-1,0 mm ²	Ø1,2-2,1 mm (Grey)		✓	2	099 110 469
AMP 1,5 plug Straight	7	0,5 - 1,0 mm ² 1,0 - 2,5 mm ²	Ø 1,2 - 2,1 mm	Ø 2,2 - 3,0 mm	✓	3	099 111 481
AMP 1,5 plug angled	7	0,5 - 1,0 mm ² 1,0 - 2,5 mm ²	Ø 1,2 - 2,1 mm	Ø 2,2 - 3,0 mm	✓	4	099 111 485
AMP 1,5 socket Straight	7	0,5 - 1,0 mm ² 1,0 - 2,5 mm ²	Ø 1,2 - 2,1 mm	Ø 2,2 - 3,0 mm	✓	5	099 111 541

Accessories

Rubber grommet for 7- and 4-poled AMP plug/socket - with cable inlet Ø5,8 mm	6	099 110 715
Rubber grommet for 7- and 4-poled AMP plug/socket - With 2 x cable inlets Ø5,8 mm	7	099 110 716
Rubber grommet for 7- and 4-poled AMP plug/socket - With 2 x cable inlets - 1 x Ø5,8 mm / 1 x 5,5x3,3 mm for side cable	8	099 110 717
Blanking plugs for 4 poled AMP plug with bayonet gland Black plastic	9	099 110 041
Blanking plugs for 7 poled AMP-socket Black plastic	10	099 110 023
Blanking plugs for 7 poled AMP plug with bayonet gland Black plastic	11	099 110 026
Blanking plugs for 15 pole bayonet socket	12	099 110 025

7 poled plugs & sockets ISO 1724



Pos. 1



Pos. 2



Pos. 3



Pos. 4



Pos. 5



Pos. 6



Pos. 7

ISO Norm	Plug type	Pol	Material	Connection	Operation voltage	Consumption	Rubber cover	Pos	Article No.
1724	socket	7	Plastic	Screw	12V	20A		1	090 147 328
1724	socket	7	Plastic	Flat plug	12V	20A		2	090 147 329
1724	Plug	7	Plastic	Screw	12V	20A	✓	3	090 147 727
1724	Plug	7	Plastic	Screw	12V	20A		4	090 147 716*
1724	Plug	7	Plastic	Screw	12V	20A	✓	5	090 147 717

Spare parts

Flat flange gasket for socket 090 147 328/329	6	090 147 912
Socket holder	7	090 147 939
* 090 147 716 – with cable gland + rubber grommet for one or two cables		

7 poled plugs & sockets ISO 1185 N



Pos. 1



Pos. 2



Pos. 3



Pos. 4



Pos. 5



Pos. 6



Pos. 7

ISO Norm	Plug type	Pol	Material	Flat plug connection	Cable outlet	Pos.	Article No.
----------	-----------	-----	----------	----------------------	--------------	------	-------------

1185	Socket	7	Plastic-housing with Alu-cover	6,3 x 0,8 mm	Rubber seal for cable Ø: 1 x 5,6-9,8 mm, End open 1 x 5,6-9,8 mm, End closed 1 x 5,6 mm, End closed	1	090 257 127
1185	Socket	7	Plastic-housing with Alu-cover	Dual Flat plug 6,3 x 0,8 mm	Rubber seal for cable Ø: 1 x 5,6-9,8 mm, End open 1 x 5,6-9,8 mm, End closed 1 x 5,6 mm, End closed	1	090 257 130
1185	Socket	7	Aluminum	6,3 x 0,8 mm	Rubber seal for cable Ø9,5-12,5 mm	2	090 257 134
1185	Socket	7	Aluminum	Screw connection	Rubber seal for cable Ø10 mm	3	090 157 112
1185	Water proof socket, type "N"		Plastic housing and cover.		Only usable in combination with the water proof contact insert.	4	090 257 126
1185	Plug	7	Plastic	6,3 x 0,8 mm	Rubber grommet for cable Ø7 mm	5	090 257 721
1185	Plug	7	Aluminum	6,3 x 0,8 mm	Gland and rubber blind	6	090 257 716
1185	Plug	7	Aluminum	Screw connection	Gland and rubber blind	7	090 257 715

7 poled plugs & sockets ISO 3731 S



Pos. 1



Pos. 2



Pos. 3



Pos. 4



Pos. 5



Pos. 6



Pos. 7

ISO Norm	Plug type	Pol	Material	Flat plug connection	Cable outlet	Pos.	Article No.
----------	-----------	-----	----------	----------------------	--------------	------	-------------

3731	Socket	7	Plastic-housing with Alu-cover	6,3 x 0,8 mm	Rubber seal for cable Ø: 1 x 5,6-9,8 mm, End open 1 x 5,6-9,8 mm, End closed 1 x 5,6 mm, End closed	1	090 257 123
3731	Socket	7	Plastic-housing with Alu-cover	Dual Flat plug 6,3 x 0,8 mm	Rubber seal for cable Ø: 1 x 5,6-9,8 mm, End open 1 x 5,6-9,8 mm, End closed 1 x 5,6 mm, End closed	1	090 257 131
3731	Socket	7	Aluminum	6,3 x 0,8 mm	Rubber seal for cable Ø9,5-12,5 mm	2	090 257 118
3731	Socket	7	Aluminum	Screw connection	Rubber seal for cable Ø10 mm	3	090 157 117
3731	Water proof socket type "S"	7	Plastic housing and cover		Only usable in combination with the water proof contact insert.	4	090 257 124
3731	Plug	7	Plastic	6,3 x 0,8 mm	Rubber grommet for cable Ø7 mm	5	090 257 725
3731	Plug	7	Aluminum	6,3 x 0,8 mm	Gland and rubber blind	6	090 257 719
3731	Plug	7	Aluminum	Screw connections	Gland and rubber blind	7	090 257 718

15 poled plugs & sockets ISO 12098



Pos. 1



Pos. 2



Pos. 3



Pos. 4



Pos. 5



Pos. 6



ISO Norm	Plug type	Pol	Material	Cable gland	Crimp Contact	Pos.	Article No.
12098	socket	15	Plastic	For cable Ø 12,0-18,0 mm	3 x 2,5 mm ² 12 x 1,0 - 1,5 mm ²	1	090 265 404
12098	socket	15	Plastic	For cable Ø 12,0-18,0 mm	3 x 2,5 mm ² 12 x 1,0 - 1,5 mm ²	2	090 265 405
12098	socket	15	Plastic	For cable Ø 7,0-12,0 mm	Screw-connection	1	090 265 407
12098	Plug	15	Plastic	For cable Ø 12,0-18,0 + 7,0-12,0 mm	Screw-connection	3	090 265 608

Accessories / Spare parts

Contact (Male) for socket , crimping. 1,0 mm ² - 1,5 mm ² - ISO 4091 / 7638/ 12098	4	090 190 181
Contact (Male) for socket, crimping 2,5 mm ² - ISO 4091 / 7638/ 12098	4	090 190 182
Contact (Male) for socket, crimping 4,0 mm ² - ISO 4091 / 7638/ 12098	4	090 190 184
Contact (Male) for socket, crimping 6,0 mm ² - ISO 4091 / 7638/ 12098	4	090 190 186
Contact for plug (female), crimping. 1,0 mm ² - 1,5 mm ² - ISO 4091 / 7638/ 12098	5	090 190 191
Contact for plug (female), crimping. 2,5 mm ² - ISO 4091 / 7638/ 12098	5	090 190 192
Contact for plug (female), crimping. 4,0 mm ² - ISO 4091 / 7638/ 12098	5	090 190 194
Contact for plug (female), crimping. 6,0 mm ² - ISO 4091 / 7638/ 12098	5	090 190 196
Mounting angle for ABS socket	6	090 198 918

14 poled plugs & sockets VBG



Pos. 1



Pos. 2



Pos. 3

SAL	Plug type	Pol	Material	Cable gland	Crimp Contact	Pos.	Article No.
--	Socket	14	Plastic	For cable Ø 10,5-15,0 mm	Pin 1 & 2 - 9,5 mm 2 5A Einzelpin - 6,5 mm 15 A Doppelpin - 6,5 mm 15 A	1	090 166 290
--	Plug	14	Plastic	For cable Ø 10,5-15,0 mm	Pin 1 & 2 - 9,5 mm 2 5A Einzelpin - 6,5 mm 15 A Doppelpin - 6,5 mm 15 A	2	090 166 360
SAL	Plug	14	Plastic	For cable Ø 10,5-15,0 mm	Pin 1 & 2 - 9,5 mm 2 5A Einzelpin - 6,5 mm 15 A Doppelpin - 6,5 mm 15 A	3	090 166 361

The brands of the BPW Group:



April 2026 • Version 11.0



ERMAX A/S
Vranderupvej 2 • DK-6000 Kolding
Tlf. +45 3969 6800 • www.ermax.dk